

FKS

HANDLES FOR WINDOWS AND DOORS



C A T A L O G U E
2 0 1 2 / 2 0 1 3

A B O U T U S

Established in 1998, the company FKS Okucia Okienne i Drzwiowe Sp. z o.o. has specialized in manufacturing of aluminium handles for windows and doors. After several years of activity, it has become one of the most significant manufacturer of fittings in Europe.

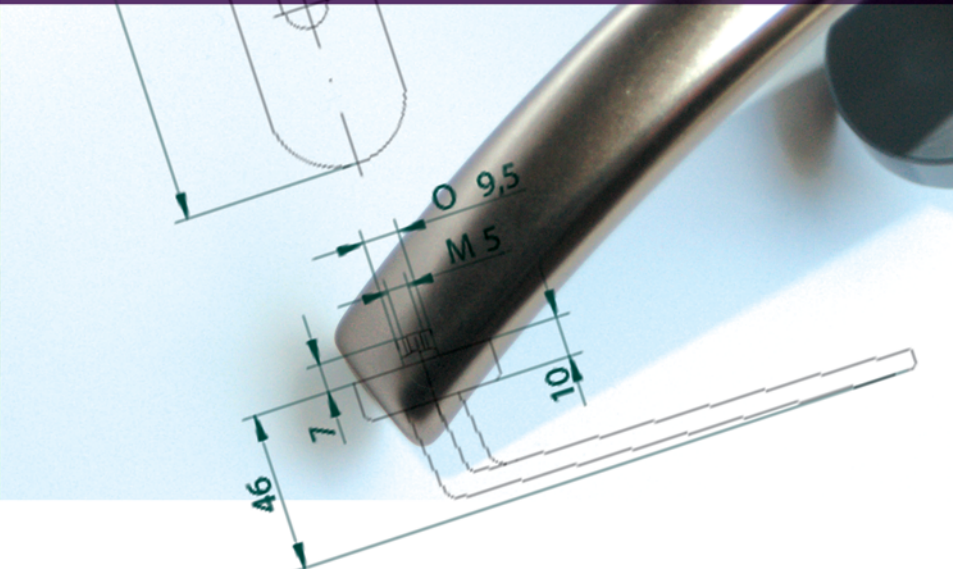


C R E A T I V E P O T E N T I A L

The company has its own constructional office and a modern tool-room. With the help of engineering programs – linked by computer to CNC machines – new and original products are created, what extend own assortment as well as specific products for every customer.

Therefore offered products program completely meets the needs of manufacturers of PVC joinery, wood and aluminium.





PHILOSOPHY OF OUR COMPANY

The aim of the company is to meet the customer demands. It is carried out by continuous market researches, highest quality of products, complete program, individual care of every customer, technical support in non typical solutions, short delivery terms and absolute honesty in business.

M A N U F A C T U R I N G

Having all necessary production technologies, the company manufactures its products in comprehensive manner, controlling the quality at every stage of their development. With more than 130 employees and managing a 7000 m² production area the company is able to produce several million of fittings every year.





Export accounts for 70 % of production and sales range covers the whole of Europe. Customers of FKS are the largest global companies in Europe, manufacturers of fittings and producers of windows and doors.

QUALITY

Technical level of our products is strictly controlled due to Quality Management System ISO 9001:2008. The quality of the products is confirmed by a number of certificates issued by both domestic and foreign Certification Bodies.



We have ambitions that we want to implement. Our strengths are modern technologies, a wide range of products, their high quality and marketing activities covering the whole of Europe. In this way we gain new markets.

We use European funds.



A L U M I N U M
handles

LEVER

Aluminium lever on back plate, screws M4, spindle length 7mm or 8mm, no return spring.

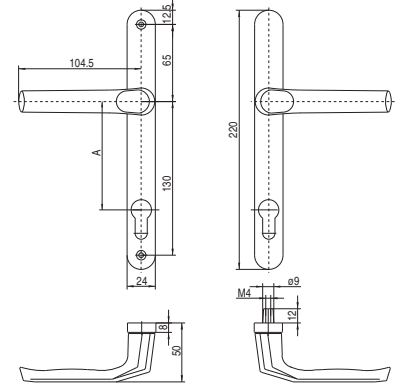
Finishing: powder coated - white RAL 9016, bronze RAL 8019, RAL 8022, anodized F1, F2, F3, F4, F9.

TYPE
24/1/1003



A
70
92

Lever

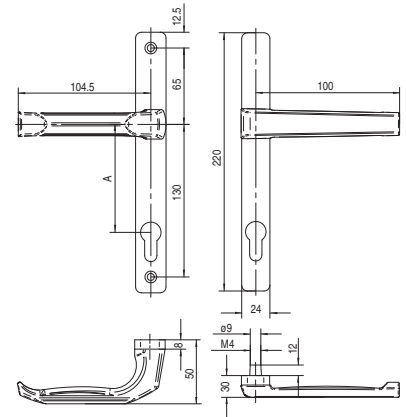


TYPE
24R/2/1003



A
70
92

Lever set with low handle for roller shutters

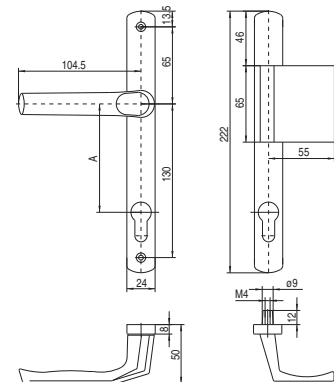


TYPE
24/3/1003 L



A
70
92

Lever set with pad handle type L

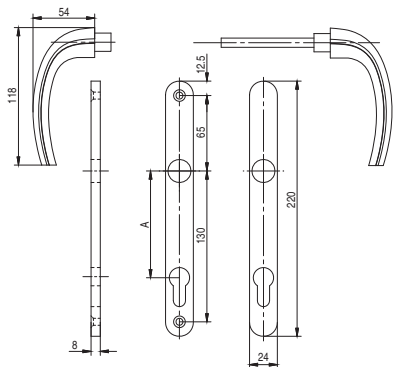


A set of aluminium door back plates fixed with screws M4, lever set with spindle length 7 or 8mm, fixed with hex head screw M6, no return spring.

Finishing: powder coated - white RAL 9016, bronze RAL 8019, RAL 8022, anodized F1.

Lever with hex head screw M6

TYPE
24/1/1031

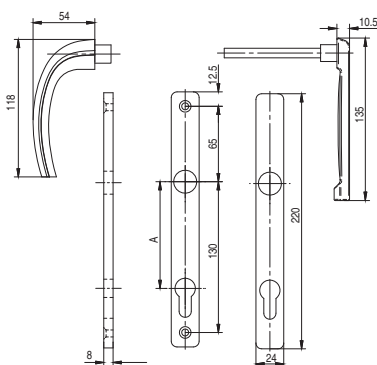


A
70
92



Lever set with low handle for roller shutters

TYPE
24R/2/1031

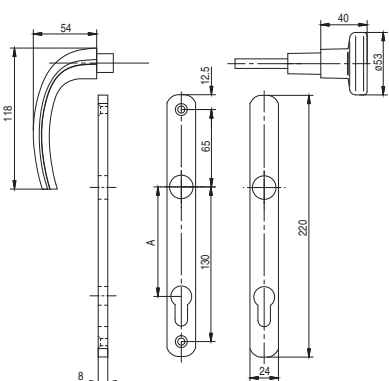


A
70
92



Lever set with knob
(rotational version)

TYPE
24/3/1031 G5



A
70
92



* available in version with fixed knob

LEVER

Aluminium lever on back plate, screws M5, spindle length 7mm or 8mm, no return spring, with one-sided or double-sided springs.

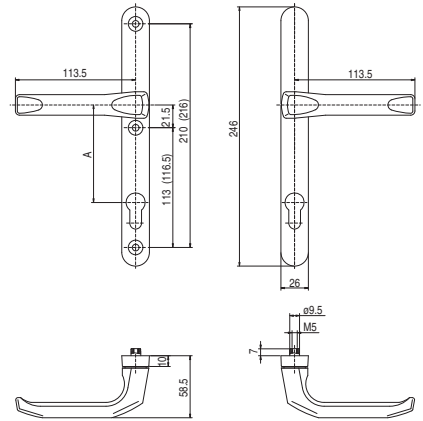
Finishing: powder coated - white RAL 9016, bronze RAL 8019, RAL 8022, anodized F1, F2, F3, F4, F9.

TYPE
26/1003



A
72
92

Lever

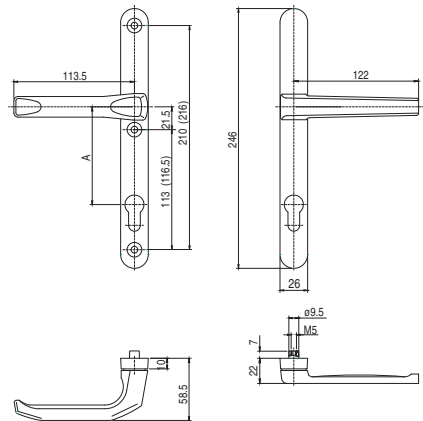


TYPE
26R/1003



A
72
92

Lever set with low handle for roller shutters

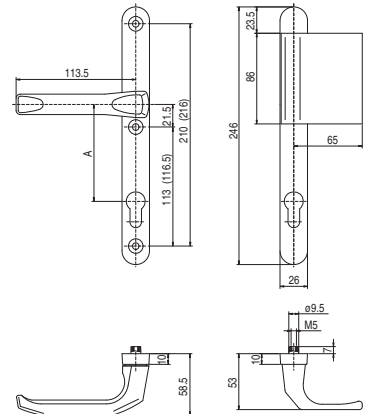


TYPE
26/1003 L



A
72
92

Lever set with pad handle type L

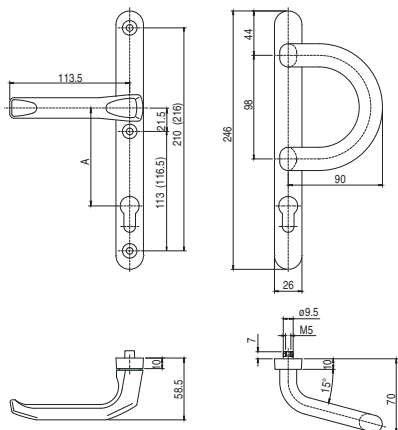


Aluminium lever on back plate, screws M5, spindle length 8mm, no return spring, with one-sided or double-sided springs.

Finishing: powder coated - white RAL 9016, bronze RAL 8019, RAL 8022, anodized F1, F2, F3, F4, F9.

Lever set with pad handle type P

TYPE
26/1003 P

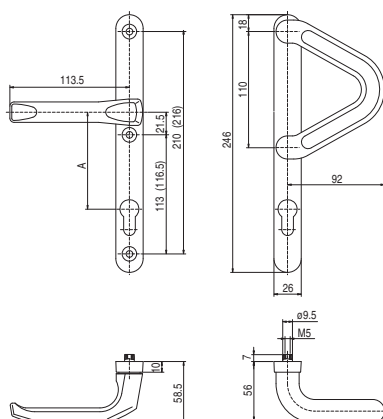


A
72
92



Lever set with pad handle type V

TYPE
26/1003 V

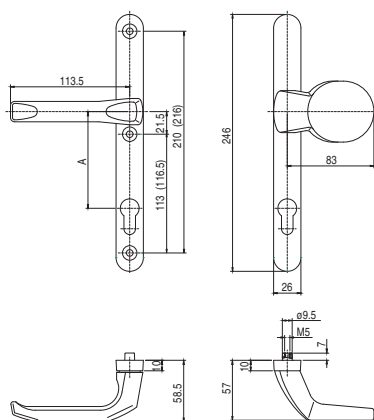


A
72
92



Lever set with knob

TYPE
26/1003 G



A
72
92



LEVER

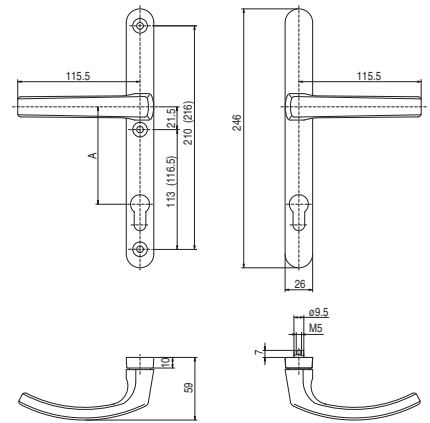
Aluminium lever on back plate, screws M5, spindle length 8mm, no return spring, with one-sided or double-sided springs.
Finishing: powder coated - white RAL 9016, bronze RAL 8019, RAL 8022, anodized F1, F2, F3, F4, F9.

TYPE
26/1005



A
72
92

Lever

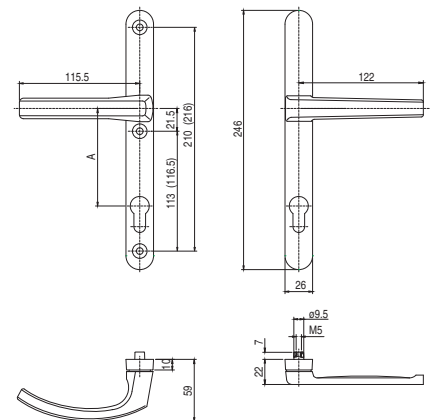


TYPE
26R/1005



A
72
92

Lever set with low handle for roller shutters

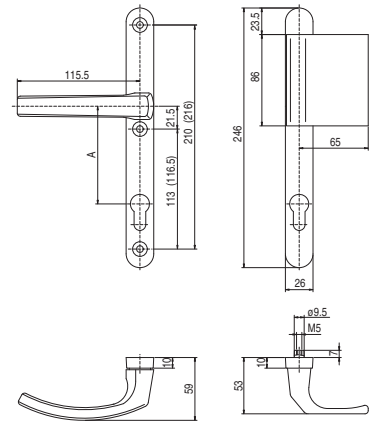


TYPE
26/1005 L



A
72
92

Lever set with pad handle type L

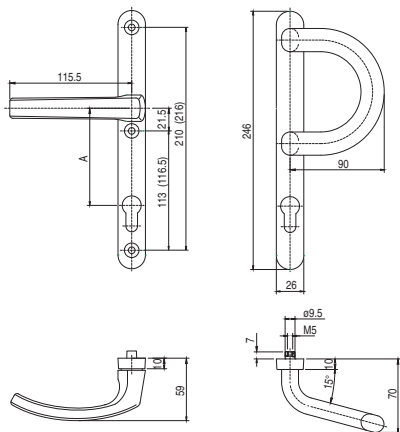


Aluminium lever on back plate, screws M5, spindle length 8mm, no return spring, with one-sided or double-sided springs.

Finishing: powder coated - white RAL 9016, bronze RAL 8019, RAL 8022, anodized F1, F2, F3, F4, F9.

Lever set with pad handle type P

TYPE
26/1005 P

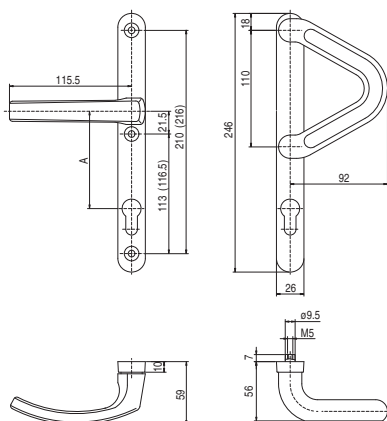


A
72
92

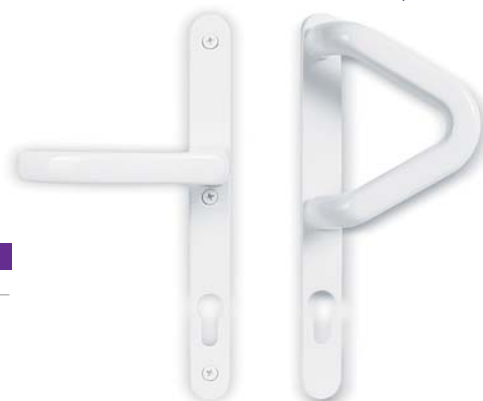


Lever set with pad handle type V

TYPE
26/1005 V

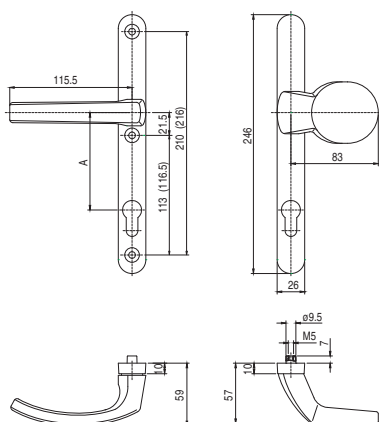


A
72
92



Lever set with knob

TYPE
26/1005 G



A
72
92



LEVER

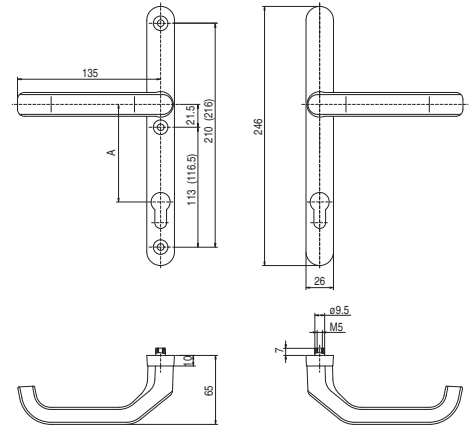
Aluminium lever on back plate, screws M5, spindle length 8mm, no return spring, with one-sided or double-sided springs.
Finishing: powder coated - white RAL 9016, bronze RAL 8019, RAL 8022, anodized F1, F2, F3, F4, F9.

TYPE
26/1200



A
72
92

Lever

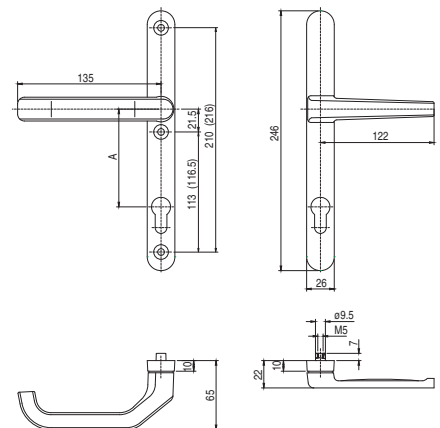


TYPE
26R/1200



A
72
92

Lever set with low handle for roller shutters

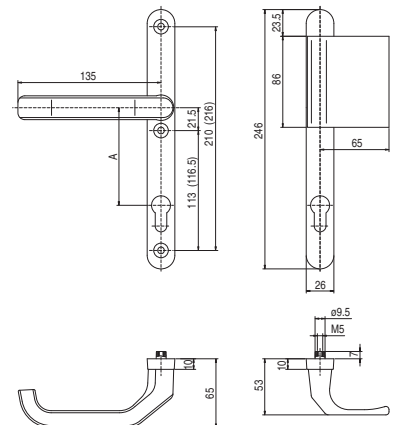


TYPE
26/1200 L



A
72
92

Lever set with pad handle type L

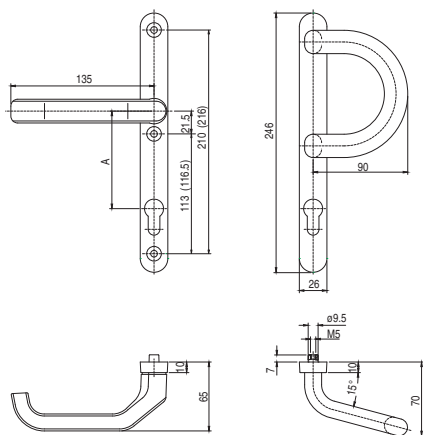


Aluminium lever on back plate, screws M5, spindle length 8mm, no return spring, with one-sided or double-sided springs.

Finishing: powder coated - white RAL 9016, bronze RAL 8019, RAL 8022, anodized F1, F2, F3, F4, F9.

Lever set with pad handle type P

TYPE
26/1200 P

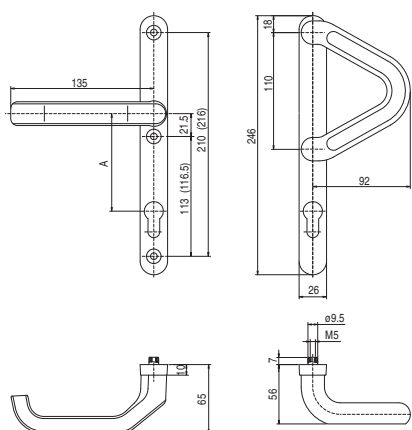


A
72
92



Lever set with pad handle type V

TYPE
26/1200 V

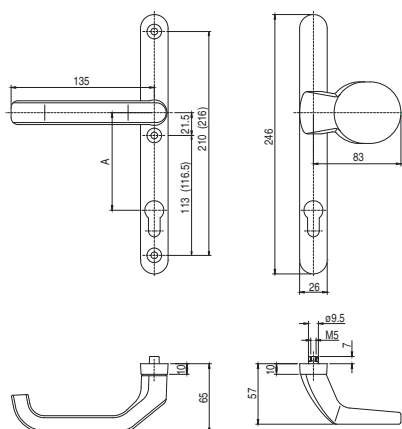


A
72
92



Lever set with knob

TYPE
26/1200 G



A
72
92



LEVER

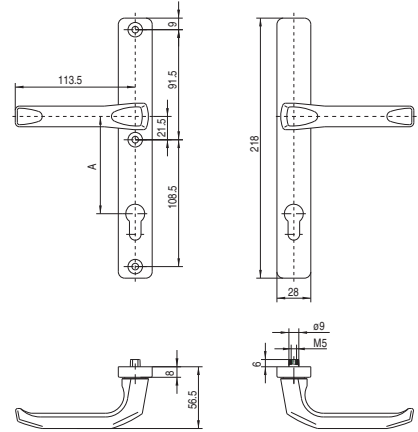
Aluminium lever on back plate, screws M5, spindle length 8mm, no return spring, with one-sided or double-sided springs.
Finishing: powder coated - white RAL 9016, bronze RAL 8019, RAL 8022, anodized F1.

TYPE
28/1003



A
70
72
92

Lever

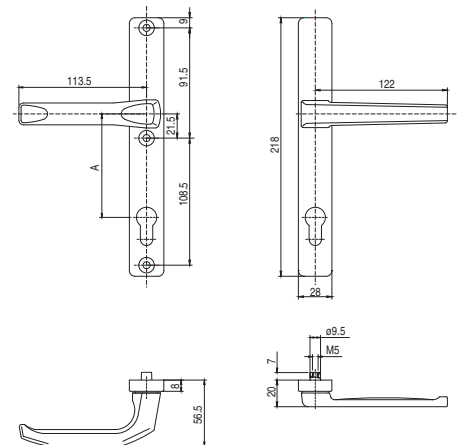


TYPE
28R/1003



A
70
72
92

Lever set with low handle for roller shutters

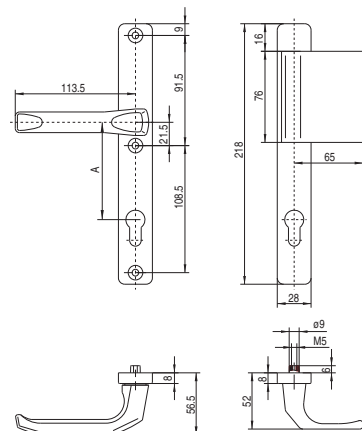


TYPE
28/1003 L



A
70
72
92

Lever set with pad handle type L

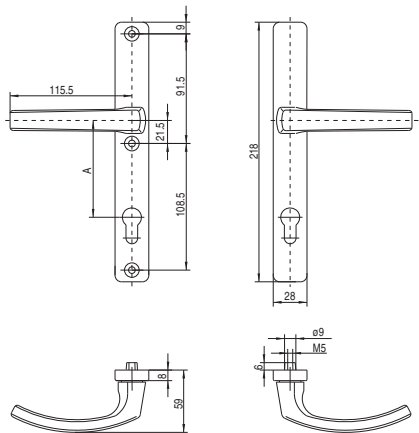


Aluminium lever on back plate, screws M5, spindle length 8mm, no return spring with one-sided or double-sided springs.

Finishing: powder coated - white RAL 9016, bronze RAL 8019, RAL 8022, anodized F1.

Lever

TYPE
28/1005

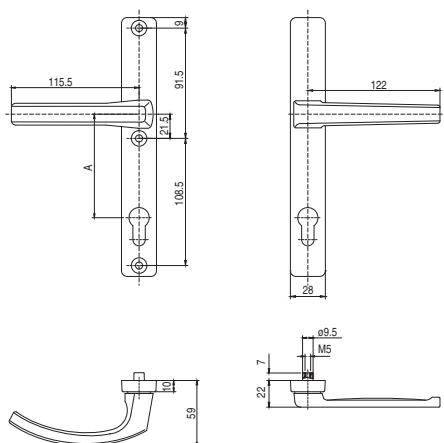


A
70
72
92



Lever set with low handle for roller shutters

TYPE
28R/1005

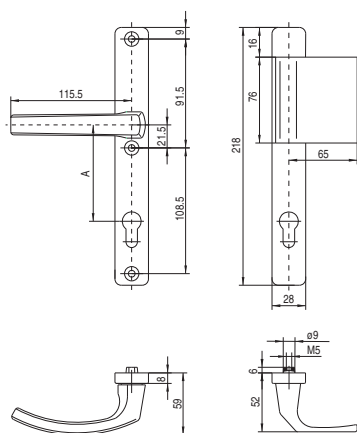


A
70
72
92



Lever set with pad handle type L

TYPE
28/1005 L



A
70
72
92



LEVER

Aluminium lever on back plate, screws M5, spindle length 8mm, no return spring, with one-sided or double-sided spring mechanism.

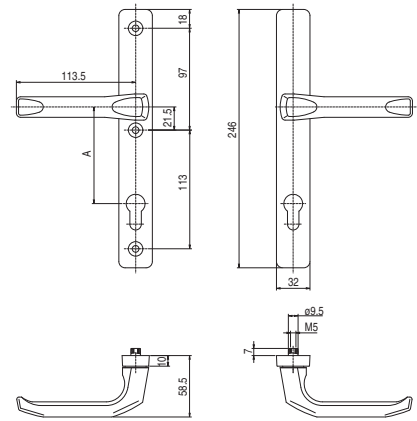
Finishing: powder coated - white RAL 9016, bronze RAL 8019, RAL 8022, anodized F1, F2, F3, F4, F9.

TYPE
32/1003



A
72
85
92

Lever

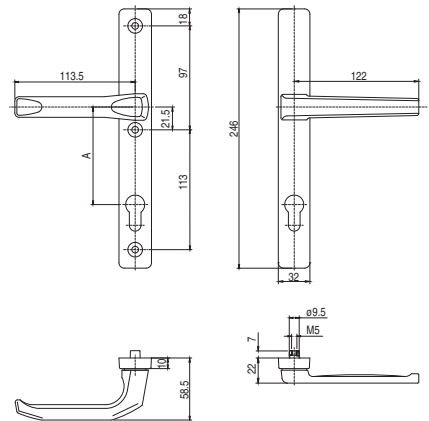


TYPE
32R/1003



A
72
85
92

Lever set with low handle for roller shutters

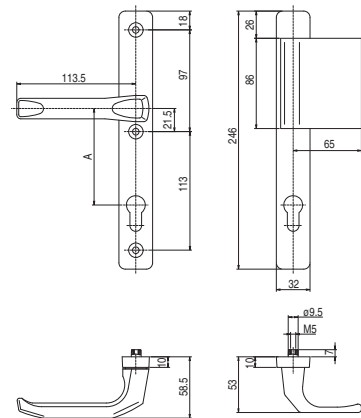


TYPE
32/1003 L



A
72
85
92

Lever set with pad handle type L

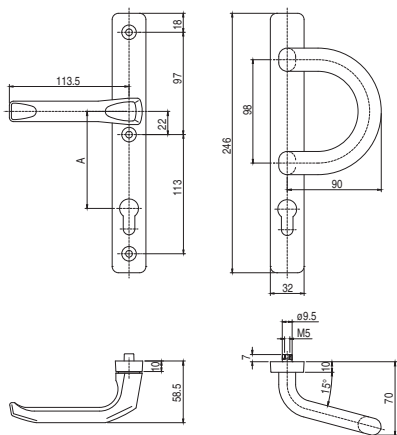


Aluminium lever on back plate, screws M5, spindle length 8mm, no return spring, with one-sided or double-sided spring mechanism.

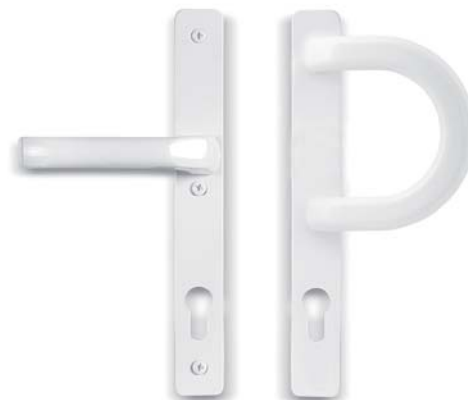
Finishing: powder coated - white RAL 9016, bronze RAL 8019, RAL 8022, anodized F1, F2, F3, F4, F9.

Lever set with pad handle type P

TYPE
32/1003 P

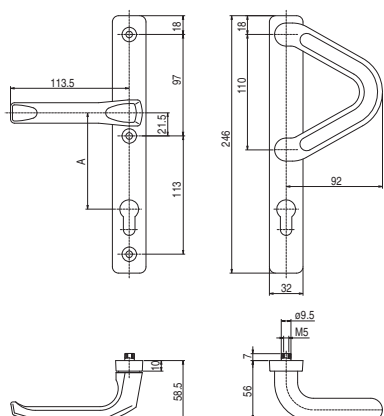


A
72
85
92



Lever set with pad handle type V

TYPE
32/1003 V

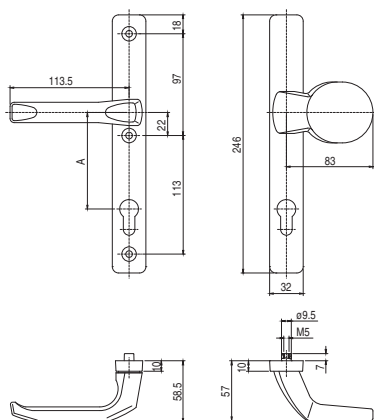


A
72
85
92



Lever set with knob

TYPE
32/1003 G



A
72
85
92



LEVER

Aluminium lever on back plate, screws M5, spindle length 8mm, no return spring with one-sided or double-sided spring mechanism.

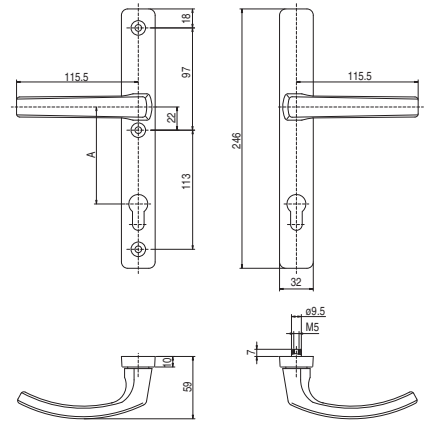
Finishing: powder coated - white RAL 9016, bronze RAL 8019, RAL 8022, anodized F1, F2, F3, F4, F9.

TYPE
32/1005



A
72
85
92

Lever

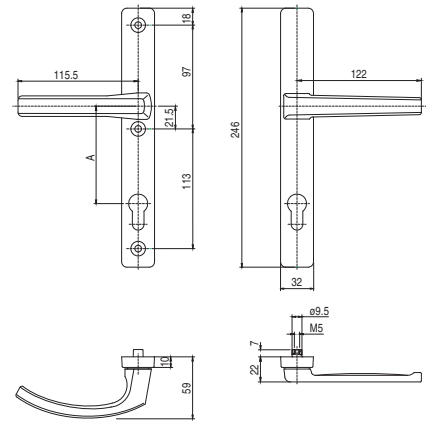


TYPE
32R/1005



A
72
85
92

Lever set with low handle for roller shutters

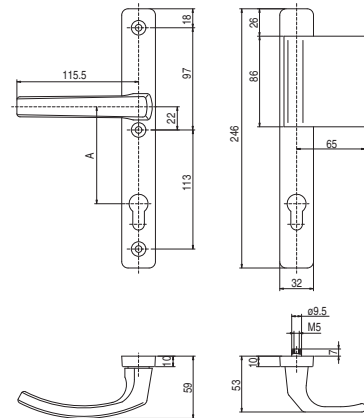


TYPE
32/1005 L



A
72
85
92

Lever set with pad handle type L

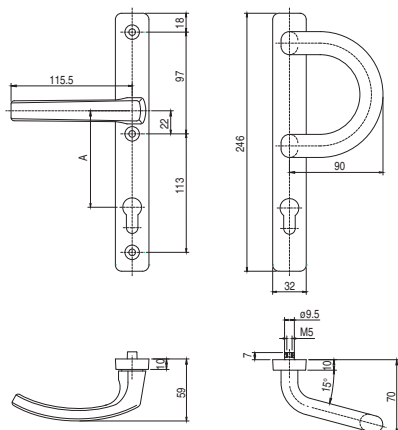


Aluminium lever on back plate, screws M5, spindle length 8mm, no return spring, with one-sided or double-sided spring mechanism.

Finishing: powder coated - white RAL 9016, bronze RAL 8019, RAL 8022, anodized F1, F2, F3, F4, F9.

Lever set with pad handle type P

TYPE
32/1005 P

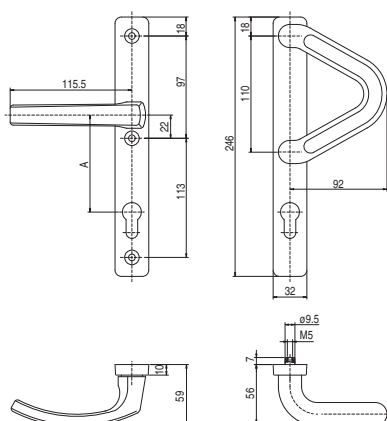


A
72
85
92



Lever set with pad handle type V

TYPE
32/1005 V

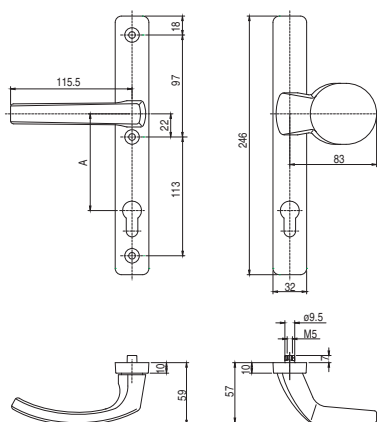


A
72
85
92



Lever set with knob

TYPE
32/1005 G



A
72
85
92



LEVER

Aluminium lever on back plate, screws M5, spindle length 8mm, no return spring, with one-sided or double-sided spring mechanism.

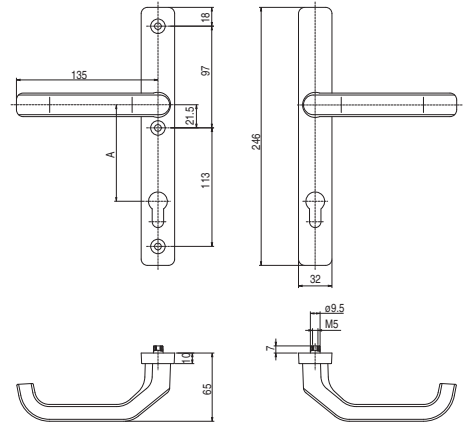
Finishing: powder coated - white RAL 9016, bronze RAL 8019, RAL 8022, anodized F1, F2, F3, F4, F9.

TYPE
32/1200



A
72
85
92

Lever

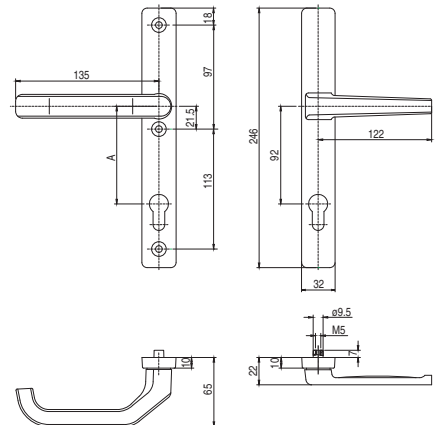


TYPE
32R/1200



A
72
85
92

Lever set with low handle for roller shutters

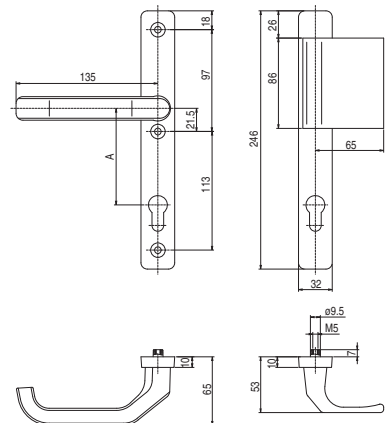


TYPE
32/1200 L



A
72
85
92

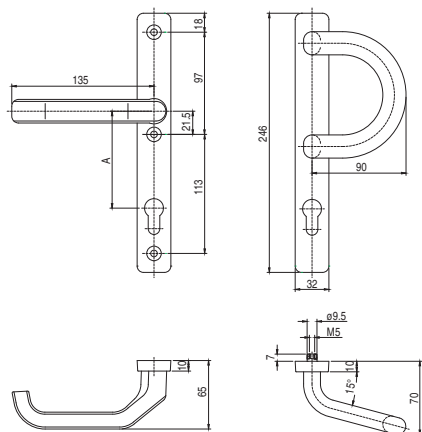
Lever set with pad handle type L



Aluminium lever on back plate, screws M5, spindle length 8mm, no return spring, with one-sided or double-sided spring mechanism.

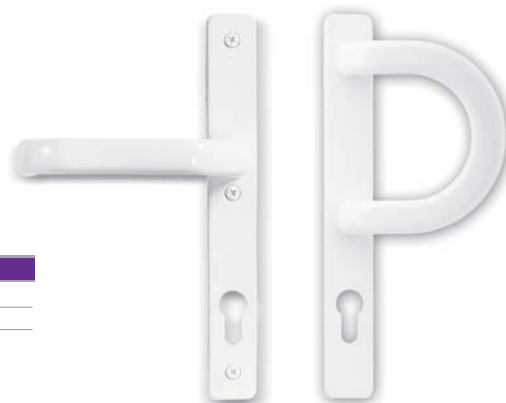
Finishing: powder coated - white RAL 9016, bronze RAL 8019, RAL 8022, anodized F1, F2, F3, F4, F9.

Lever set with pad handle type P

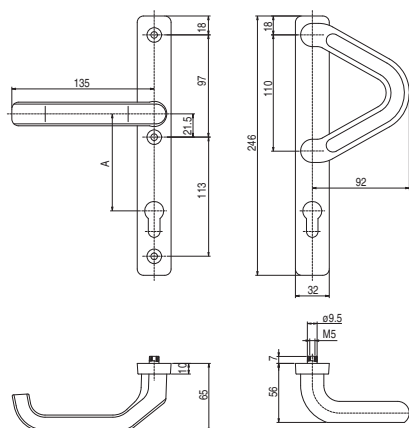


TYPE
32/1200 P

A
72
85
92



Lever set with pad handle type V

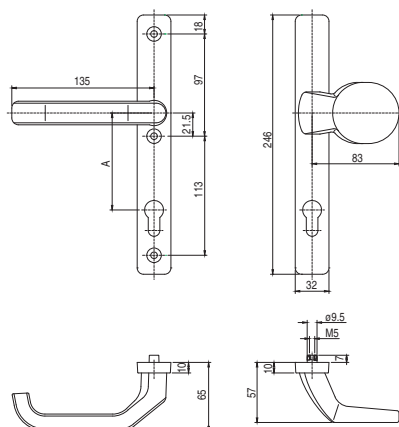


TYPE
32/1200 V

A
72
85
92



Lever set with knob



TYPE
32/1200 G

A
72
85
92



LEVER

Aluminium lever on back plate, screws M5, spindle length 8mm, no return spring, with one-sided or double-sided spring mechanism.

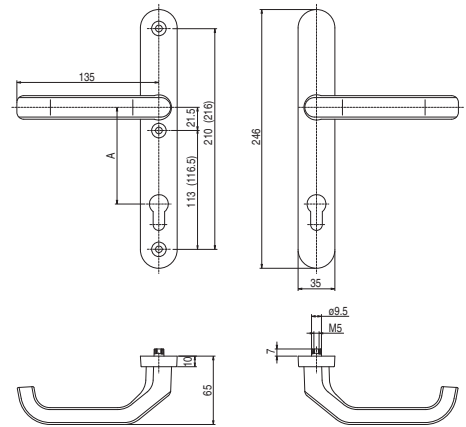
Finishing: powder coated - white RAL 9016, bronze RAL 8019, RAL 8022, anodized F1, F2, F3, F4, F9.

TYPE
35/1200



A
72
92

Lever

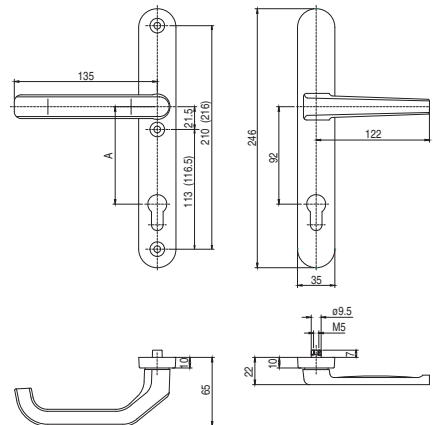


TYPE
35R/1200



A
72
92

Lever set with low handle for roller shutters

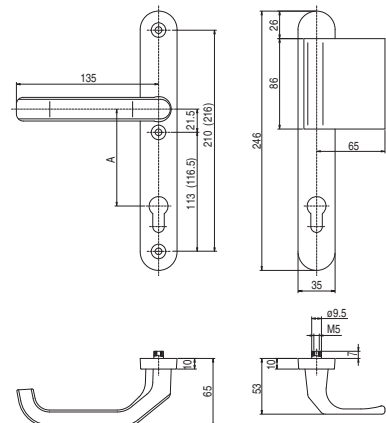


TYPE
35/1200 L



A
72
92

Lever set with pad handle type L

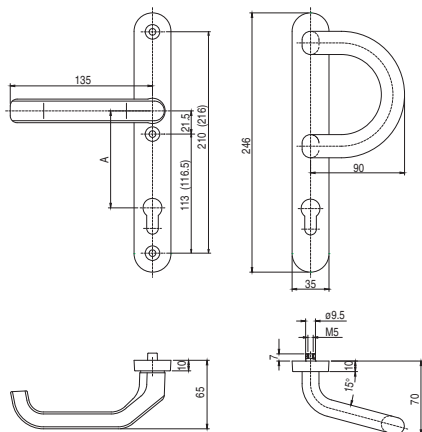


Aluminium lever on back plate, screws M5, spindle length 8mm, no return spring, with one-sided or double-sided spring mechanism.

Finishing: powder coated - white RAL 9016, bronze RAL 8019, RAL 8022, anodized F1, F2, F3, F4, F9.

Lever set with pad handle type P

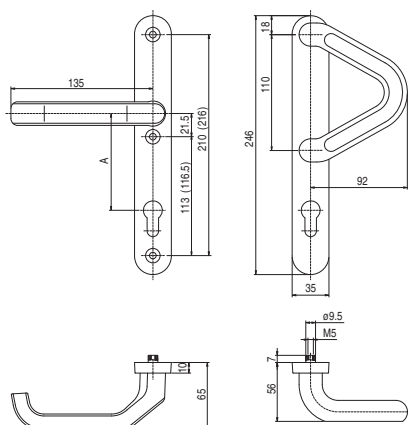
TYPE
35/1200 P



A
72
92

Lever set with pad handle type V

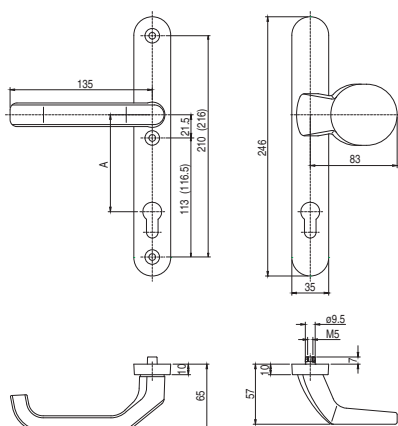
TYPE
35/1200 V



A
72
92

Lever set with knob

TYPE
35/1200 G



A
72
92

LEVER

High aluminium lever on back plate, screws M5, spindle length 8mm, no return spring, with one-sided or double-sided spring mechanism.

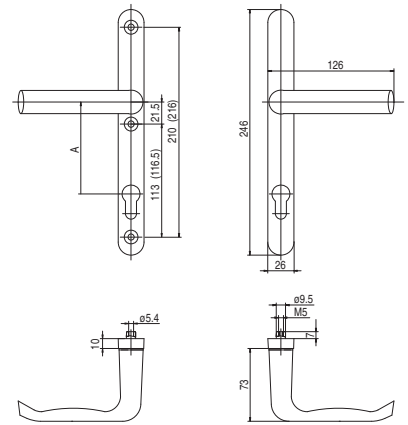
Finishing: powder coated - white RAL 9016, bronze RAL 8019, anodized F1.

TYPE
26/1012 W



A
72
92

High lever

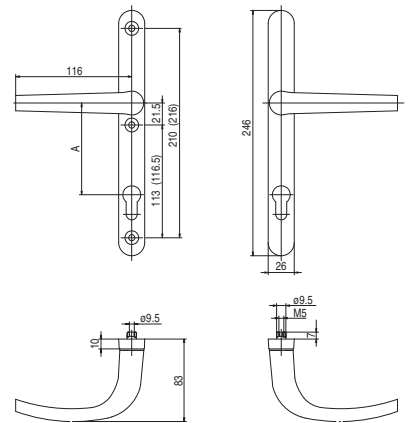


TYPE
26/1031 W



A
72
92

High lever

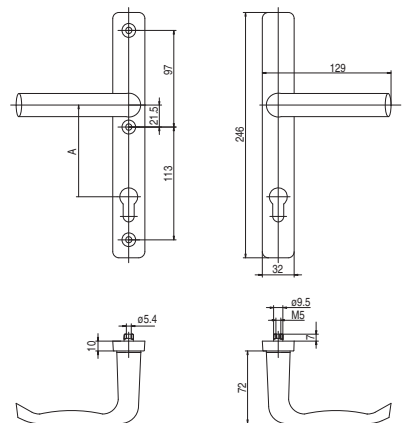


TYPE
32/1012 W



A
72
85
92

High lever



LEVER

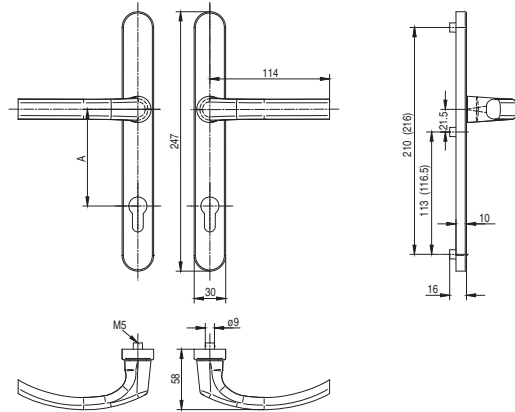
Aluminium lever set, zamak back plate with spring mechanism, screw covering base, screws M5 and spindle length 8mm.
Finishing: powder coated - white RAL 9016, bronze RAL 8019, RAL 8022, anodized F1, F2, F3, F4, F9.

TYPE
 30A/1005



A
72
92

Lever

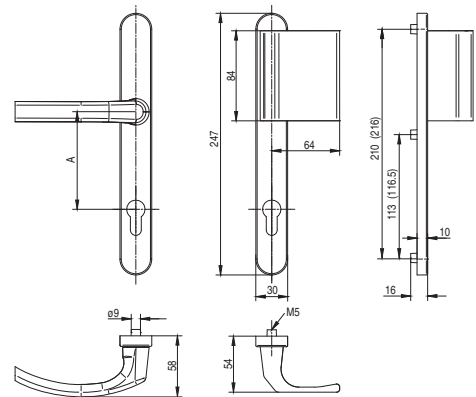


TYPE
 30A/1005 L

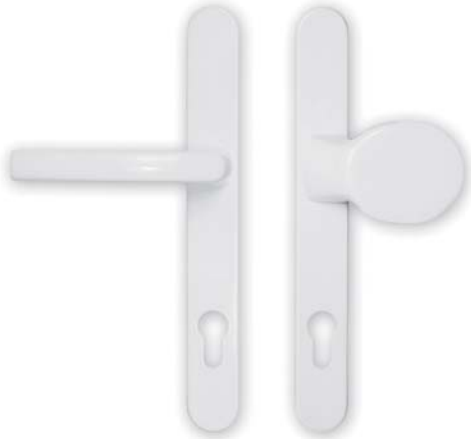


A
72
92

Lever set with pad handle type L

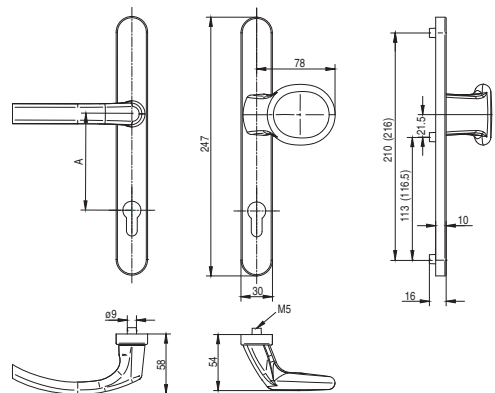


TYPE
 30A/1005 G



A
72
92

Lever set with knob

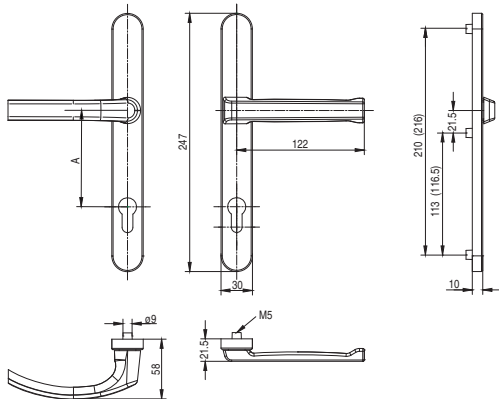


Aluminium lever set, zamak back plate with spring mechanism, screw covering base, screws M5 and spindle length 8mm.

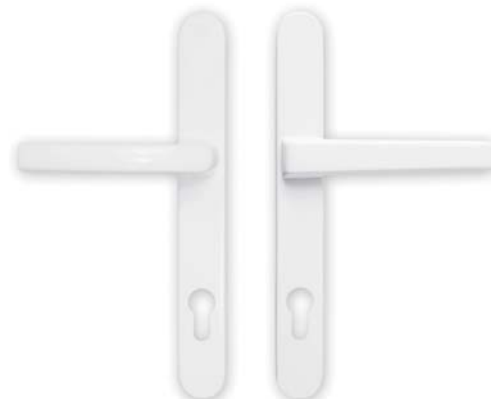
Finishing: powder coated - white RAL 9016, bronze RAL 8019, RAL 8022, anodized F1, F2, F3, F4, F9.

Lever set with low handle for roller shutters

TYPE
30AR/1005

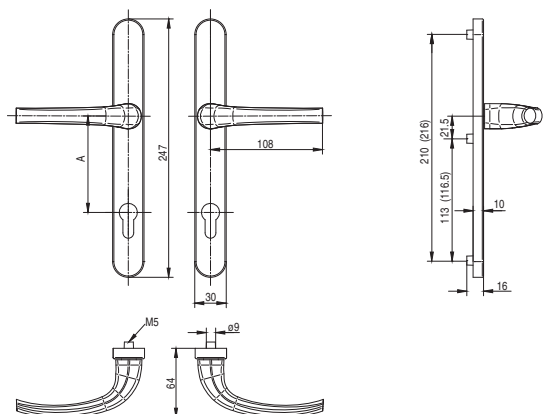


A
72
92



Lever

TYPE
30A/1031

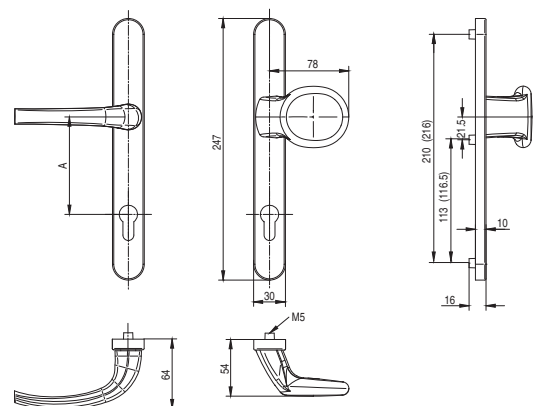


A
72
92

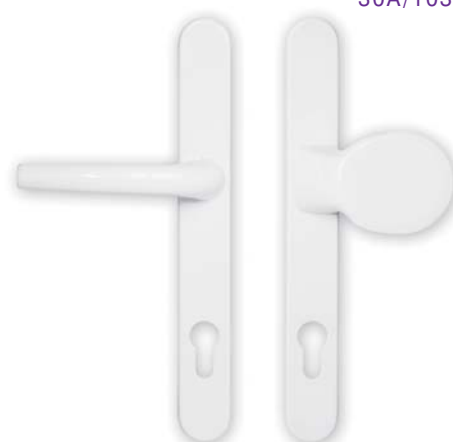


Lever set with knob

TYPE
30A/1031 G



A
72
92



LEVER

PRODUCT WITH SKG-CERTIFICATE

Aluminium lever on back plate, screws M6, threaded steel sockets M6, spindle length 8mm, no return spring.

Finishing: anodized F1.

TYPE

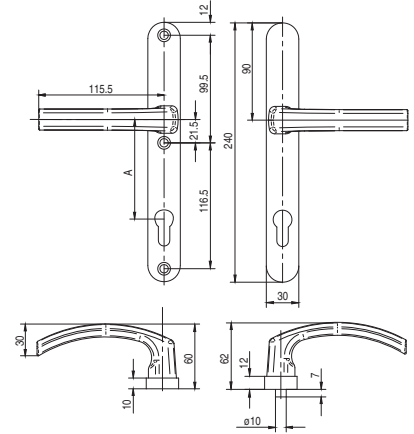
30SKG/1005



A

72
92

Lever

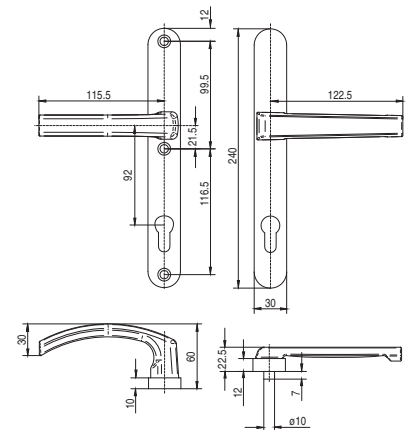


TYPE

30SKG/1005 R



Lever set with low handle for roller shutters

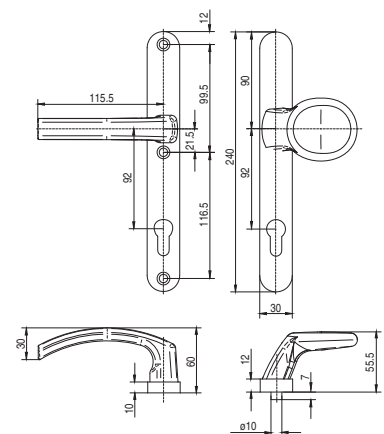


TYPE

30SKG/1005 G



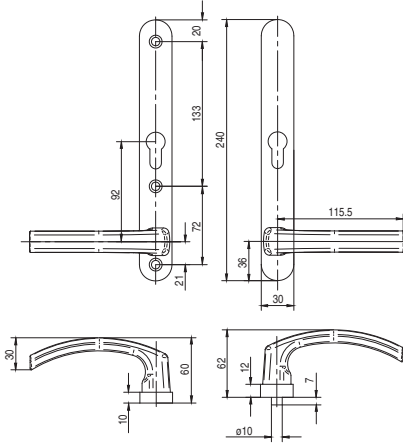
Lever set with knob



Aluminium lever on back plate, screws M6, threaded steel sockets M6, spindle length 8mm, no return spring.

Finishing: anodized F1.

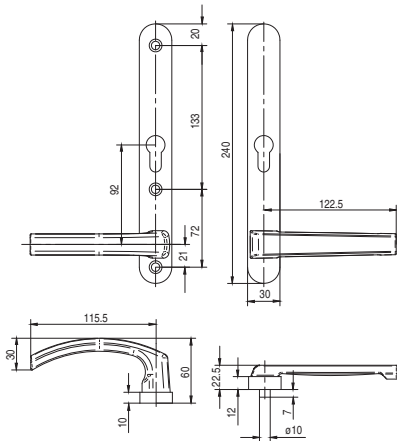
Lever for senior



TYPE
30SKG/1005
SENIOR



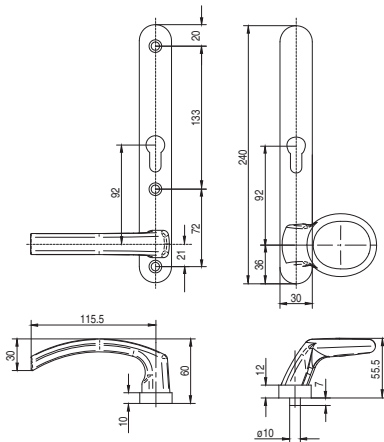
Lever set with low handle for roller shutters for seniors



TYPE
30SKG/1005 R
SENIOR



Lever set with knob for seniors



TYPE
30SKG/1005 G
SENIOR



LEVER

PRODUCT WITH ITB-CERTIFICATE

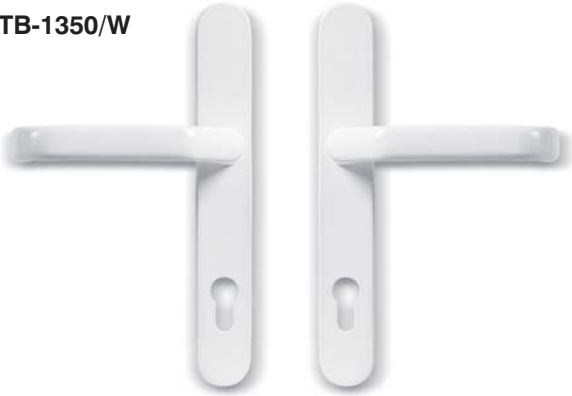
Aluminium lever set, zamak back plate with hardened steel cylinder and spring mechanism, screw covering base, screws M6 and spindle length 8mm.

Finishing: powder coated - white RAL 9016, bronze RAL 8019, RAL 8022, anodized F1, F2, F3, F4, F9.

TYPE

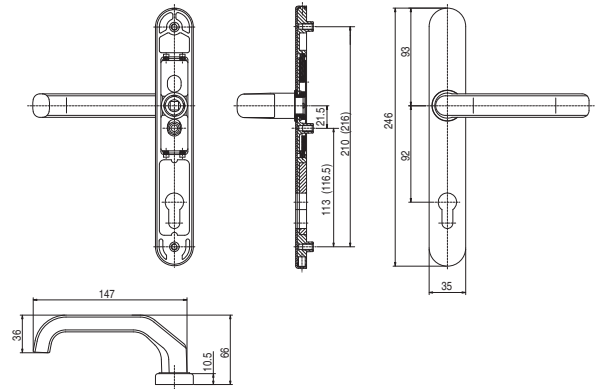
35A/1200

ITB-1350/W



Lever

3 7 - 0 1 3 2 B



TYPE

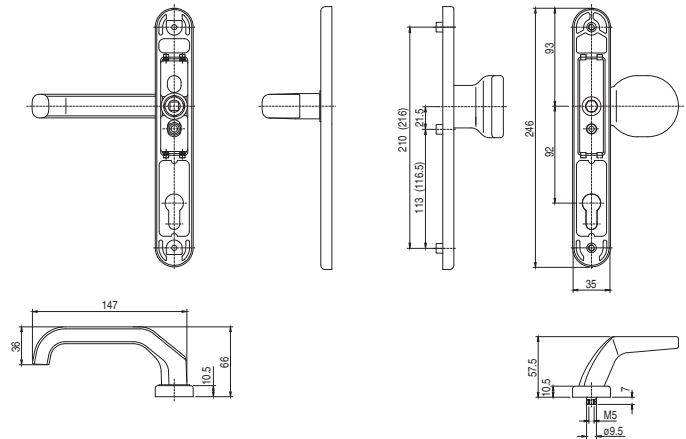
35A/1200 G

ITB-1350/W



Lever set with knob

3 7 - 0 1 3 2 B



TYPE

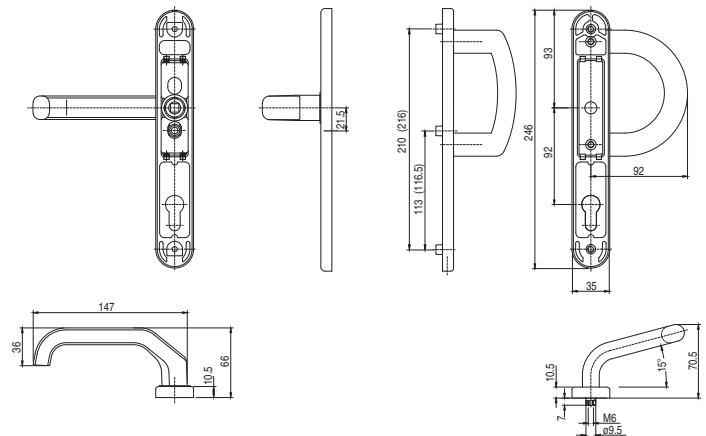
35A/1200 P

ITB-1350/W



Lever set with pad handle type P

3 7 - 0 1 3 2 B

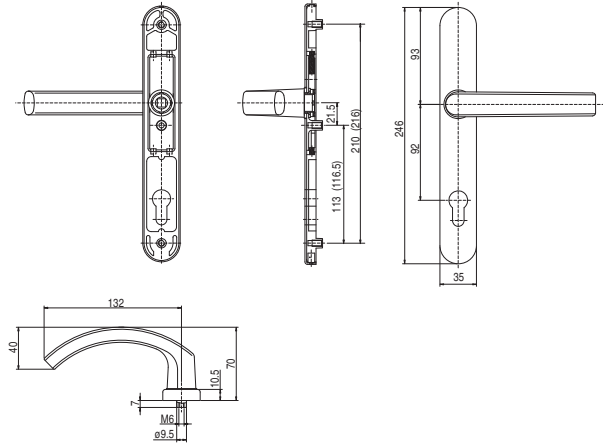


Aluminium lever set, zamak back plate with hardened steel cylinder and spring mechanism, screw covering base, screws M6 and spindle length 8mm.

Finishing: powder coated - white RAL 9016, bronze RAL 8019, RAL 8022, anodized F1, F2, F3, F4, F9.

3 7 - 0 1 3 2 B

Lever



TYPE

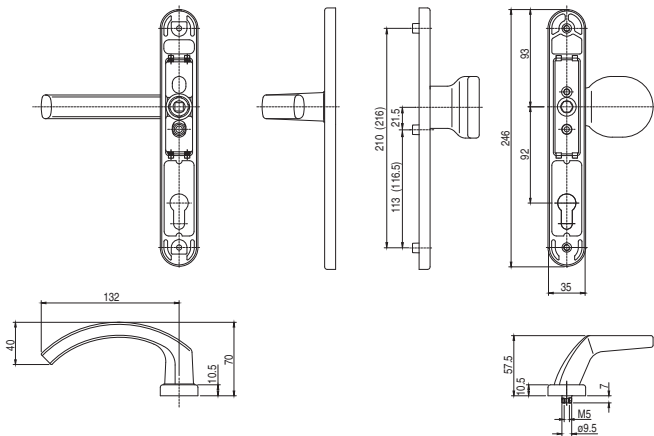
35A/2200

ITB-1350/W



3 7 - 0 1 3 2 B

Lever set with knob



TYPE

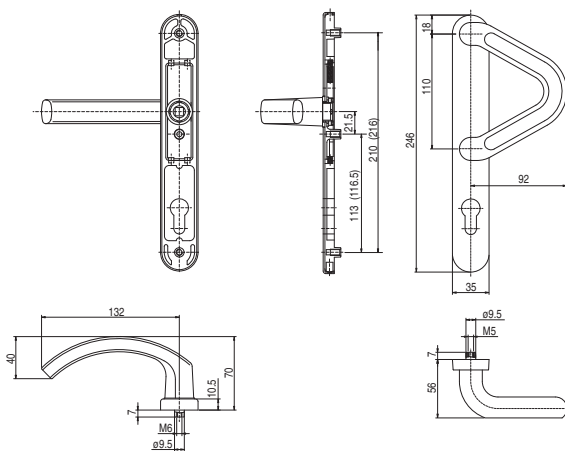
35A/2200 G

ITB-1350/W



3 7 - 0 1 3 2 B

Lever set with pad handle type V



TYPE

35A/2200 V

ITB-1350/W



LEVER

PRODUCT WITH ITB-CERTIFICATE

Aluminum lever set with burglary protection of lock cylinder, zamak back plate with spring mechanism, screw covering base, screws M6 and spindle length 8 mm.

Finishing: powder coated - white RAL 9016, bronze RAL 8019, RAL 8022, anodized F1, F2, F3, F4, F9.

TYPE

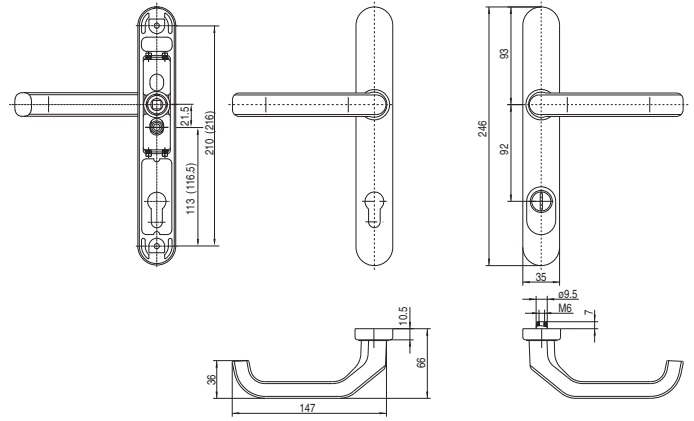
35A/1200 KZ

ITB-1350/W



Lever

3 7 - 0 1 3 2 B



TYPE

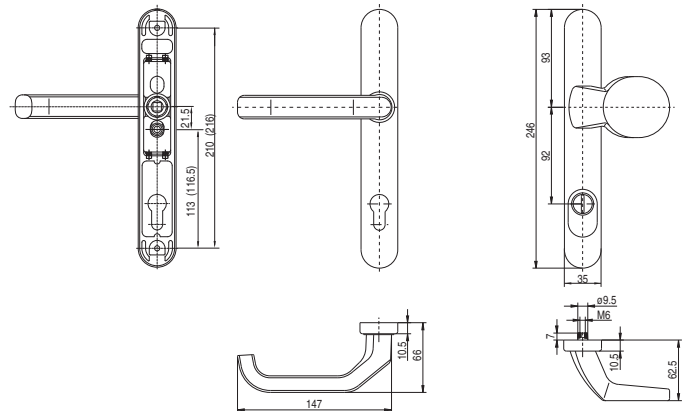
35A/1200 G KZ

ITB-1350/W



Lever set with knob

3 7 - 0 1 3 2 B



TYPE

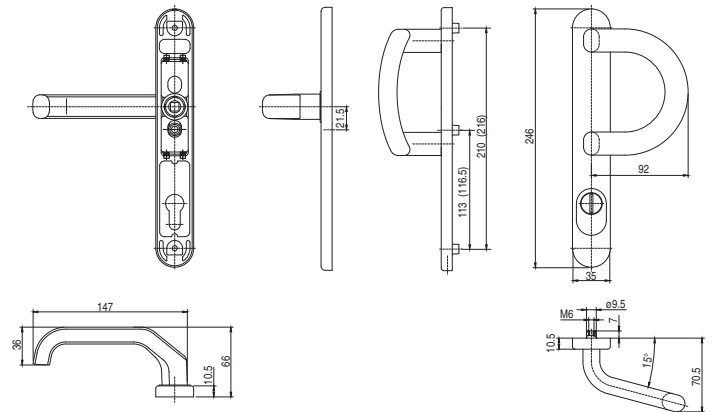
35A/1200 P KZ

ITB-1350/W



Lever set with pad handle type P

3 7 - 0 1 3 2 B

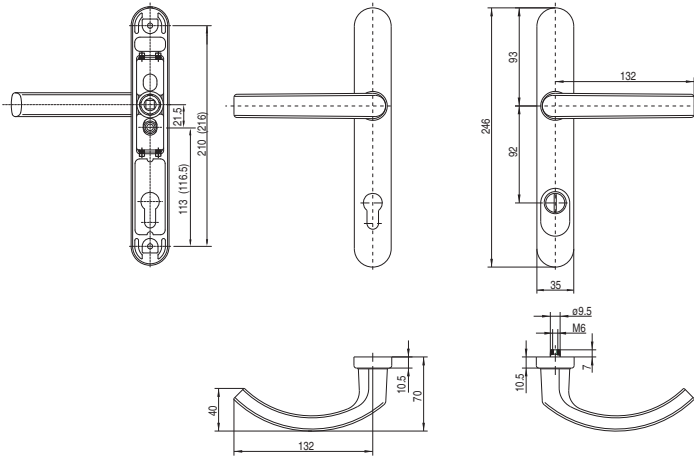


Aluminum lever set with burglary protection of lock cylinder, zamak back plate with spring mechanism, screw covering base secured with ball latch, screws M6 and spindle length 8 mm.

Finishing: powder coated - white RAL 9016, bronze RAL 8019, RAL 8022, anodized F1, F2, F3, F4, F9.

3 7 - 0 1 3 2 B

Lever



TYPE

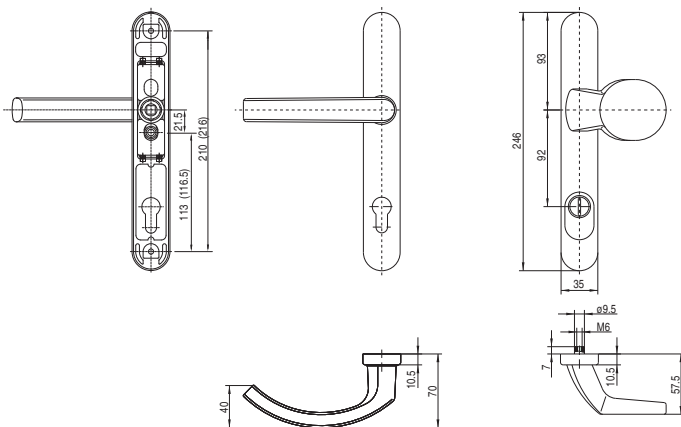
35A/2200 KZ

ITB-1350/W



3 7 - 0 1 3 2 B

Lever set with knob



TYPE

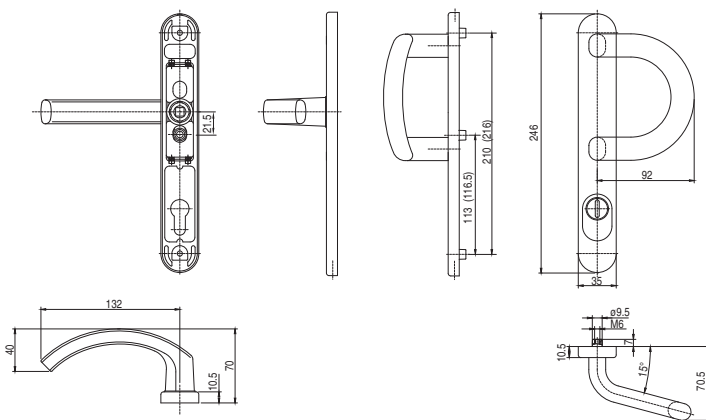
35A/2200 G KZ

ITB-1350/W



3 7 - 0 1 3 2 B

Lever set with pad handle type P



TYPE

35A/2200 P KZ

ITB-1350/W



LEVER

PRODUCT WITH SKG-CERTIFICATE

Aluminum lever set with burglary protection of lock cylinder, full external aluminium back plate with threaded steel sockets M6, internal zamak back plate with spring mechanism, screw covering base, screws M6 and spindle length 8mm.

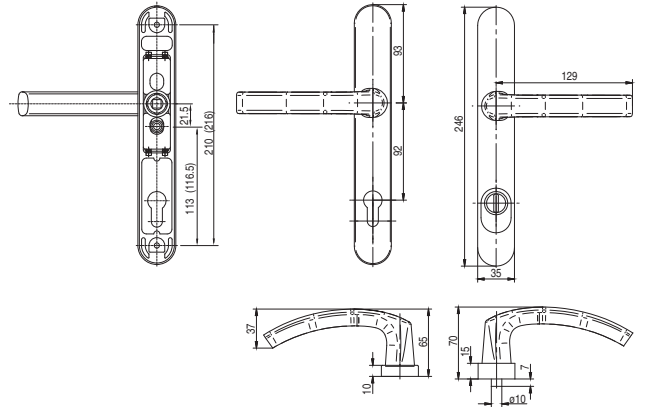
Finishing: powder coated - white RAL 9016, bronze RAL 8019, RAL 8022, anodized F1, F2, F3, F4, F9.

TYPE
35/2000 KZ SKG



A
72
92

Lever

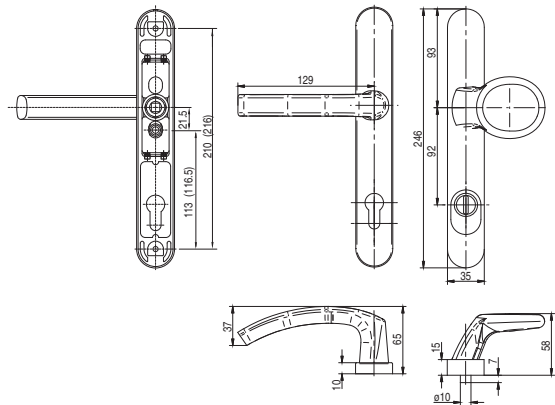


TYPE
35/2000 G KZ SKG



A
72
92

Lever set with knob

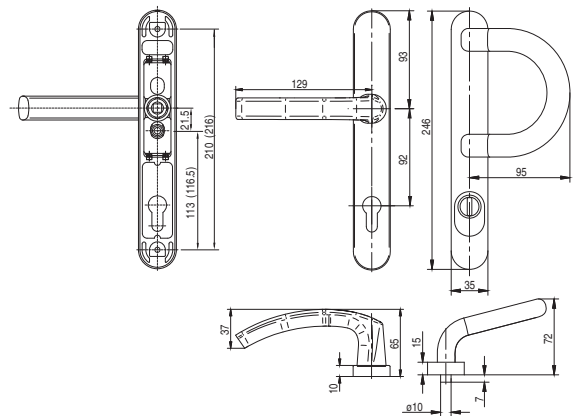


TYPE
35/2000 P KZ SKG



A
72
92

Lever set with pad handle type P



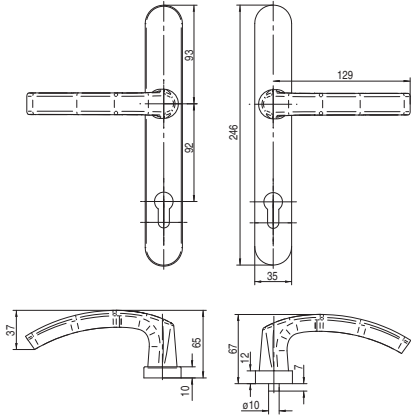
Aluminum lever set with burglary protection of lock cylinder, full external aluminium back plate with threaded steel sockets M6, internal zamak back plate with spring mechanism, screw covering base, screws M6 and spindle length 8mm.

Finishing: powder coated - white RAL 9016, bronze RAL 8019, RAL 8022, anodized F1, F2, F3, F4, F9.

Lever

TYPE

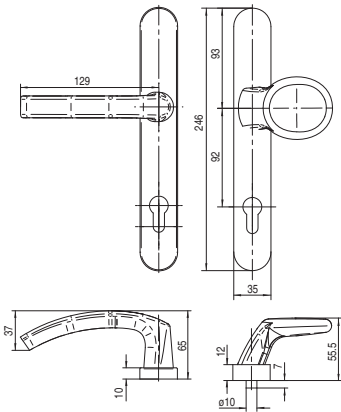
35A/2200 SKG



Lever set with knob

TYPE

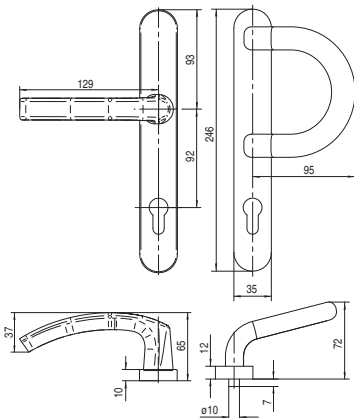
35A/2200 G SKG



Lever set with pad handle type P

TYPE

35A/2200 P SKG

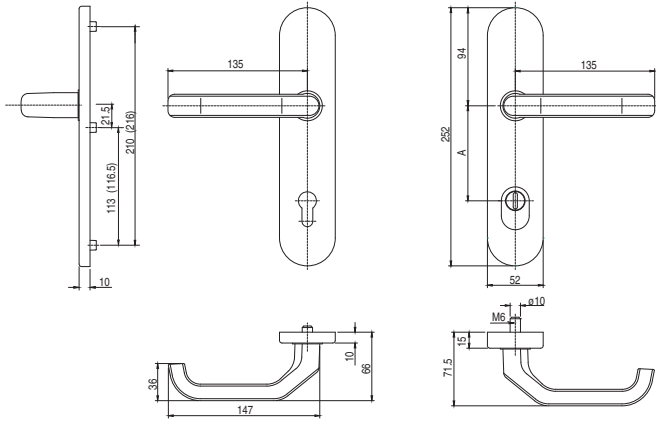


Aluminum lever set with burglary protection of lock cylinder, zamak back plate with hardened steel cylinder and spring mechanism, screw covering base, screws M6 ad spindle length 8mm.

Finishing: powder coated - white RAL 9016, bronze RAL 8019, RAL 8022, anodized F1, F2, F3, F4, F9.

3 7 - 0 1 3 3 U

Lever



TYPE

52A/1200 KZ

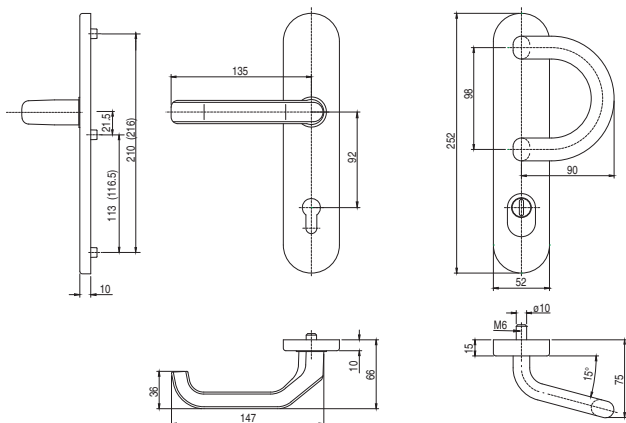
ITB-1350/W



A
72
92

3 7 - 0 1 3 3 U

Lever set with pad handle type P



TYPE

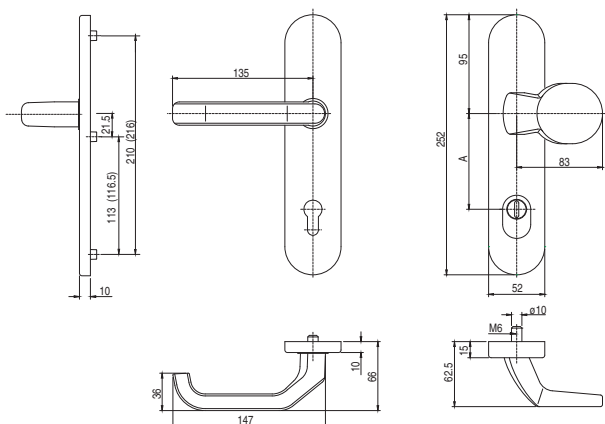
52A/1200 P KZ

ITB-1350/W



3 7 - 0 1 3 3 U

Lever set with knob



TYPE

52A/1200 G KZ

ITB-1350/W



A
72
92

LEVER

PRODUCT WITH ITB-CERTIFICATE

Aluminum lever set, zamak back plate with hardened steel cylinder and spring mechanism, screw covering base, screws M6 ad spindle length 8mm.

Finishing: powder coated - white RAL 9016, bronze RAL 8019, RAL 8022, anodized F1, F2, F3, F4, F9.

TYPE

52A/1200 E

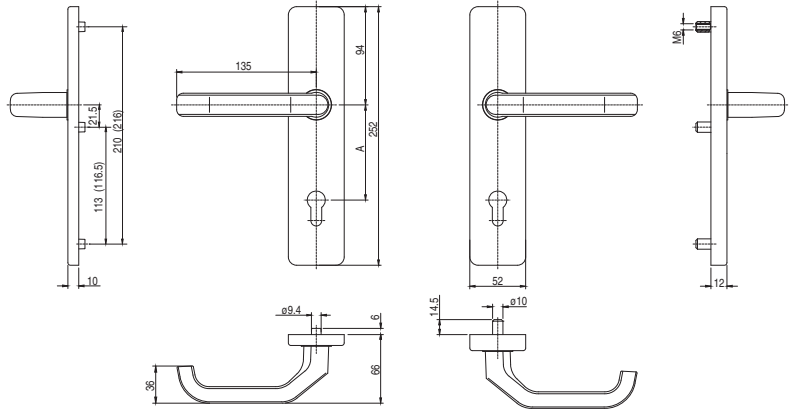
ITB-1350/W



A
72
92

Lever

3 7 - 0 1 3 3 U



TYPE

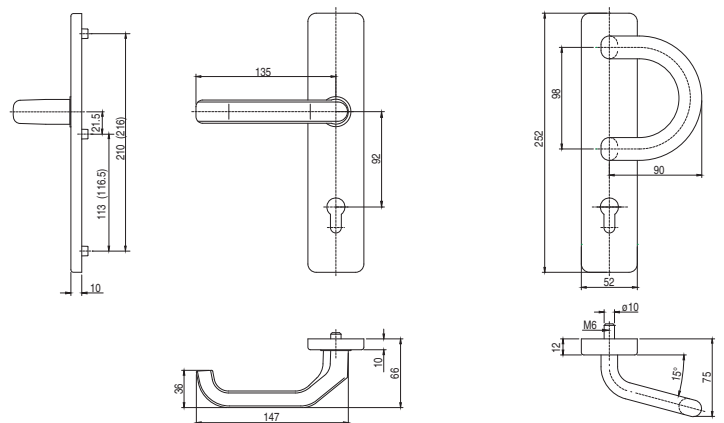
52A/1200 P E

ITB-1350/W



Lever set with pad handle type P

3 7 - 0 1 3 3 U



TYPE

52A/1200 G E

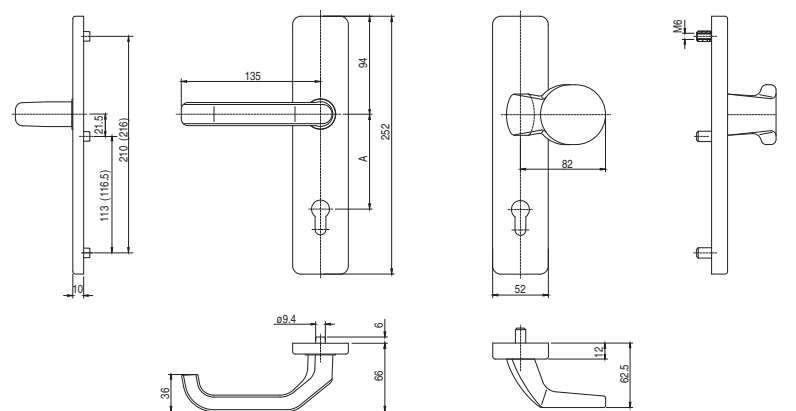
ITB-1350/W



A
72
92

Lever set with knob

3 7 - 0 1 3 3 U

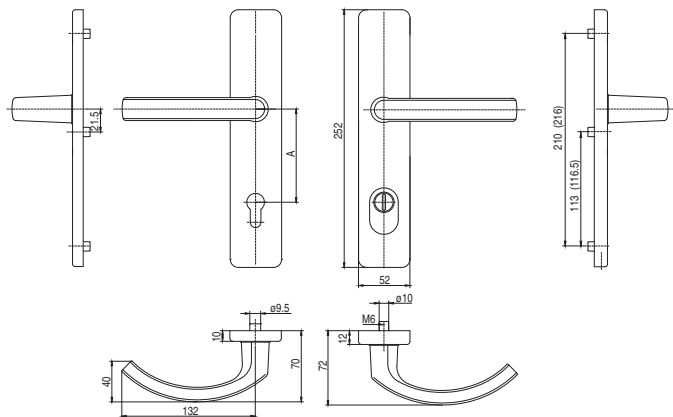


Aluminum lever set with burglary protection of lock cylinder, zamak back plate with hardened steel cylinder and spring mechanism, screw covering base, screws M6 ad spindle length 8mm.

Finishing: powder coated - white RAL 9016, bronze RAL 8019, RAL 8022, anodized F1, F2, F3, F4, F9.

3 7 - 0 1 3 3 U

Lever



TYPE

52A/1200 KZ E

ITB-1350/W



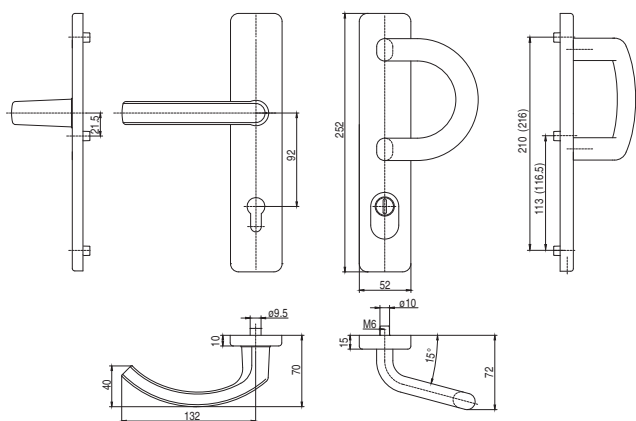
A

72

92

3 7 - 0 1 3 3 U

Lever set with pad handle type P



TYPE

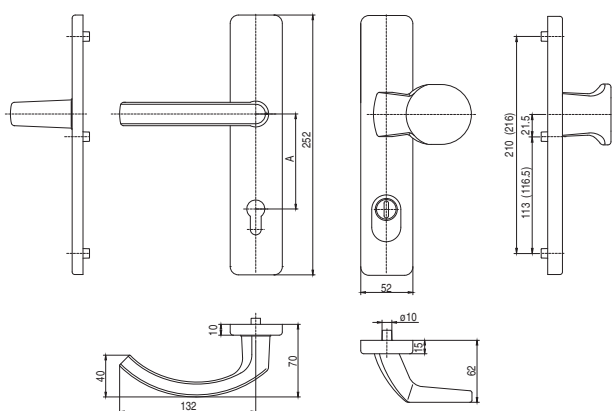
52A/1200 P KZ E

ITB-1350/W



3 7 - 0 1 3 3 U

Lever set with knob



TYPE

52A/1200 G KZ E

ITB-1350/W

A

72

92



LEVER

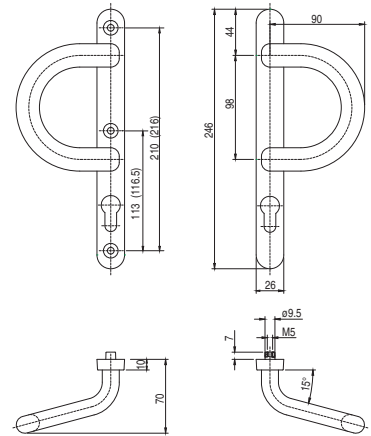
Double-sided pad handle with back plate, screws M5.

Finishing: powder coated - white RAL 9016, bronze RAL 8019, RAL 8022, anodized F1, F2, F3, F4, F9.

TYPE
26 P



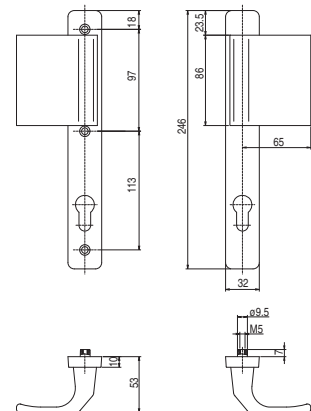
Double-sided pad handle type P



TYPE
32 L



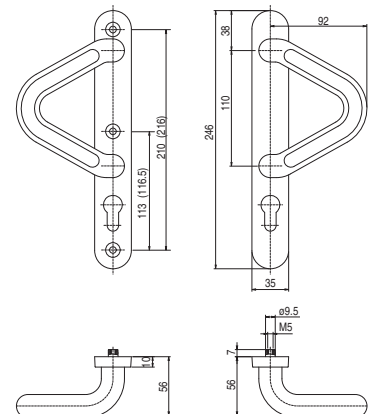
Double-sided pad handle type L



TYPE
35 V



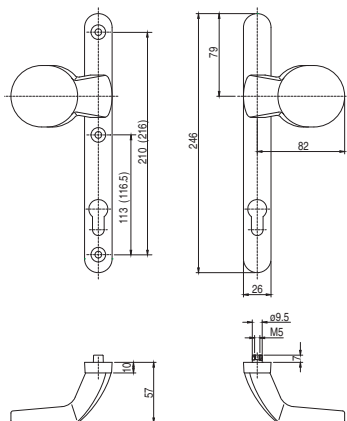
Double-sided pad handle type V



Double-sided knob with back plate, screws M5.

Finishing: powder coated - white RAL 9016, bronze RAL 8019, RAL 8022, anodized F1, F2, F3, F4, F9.

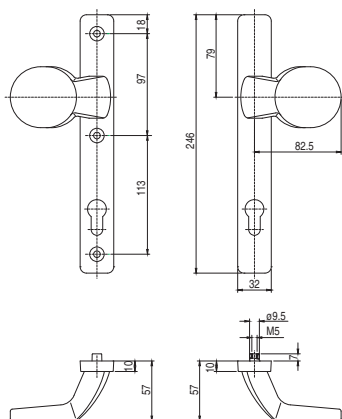
Double-sided knob



TYPE
26 G



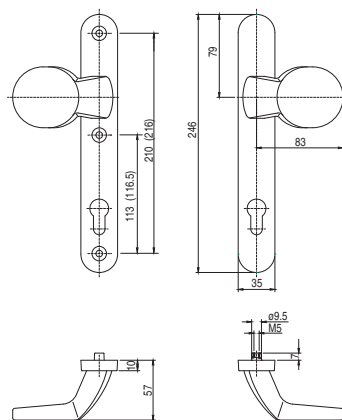
Double-sided knob



TYPE
32 G



Double-sided knob



TYPE
35 G



TUBULAR BOW-TYPE HANDLES

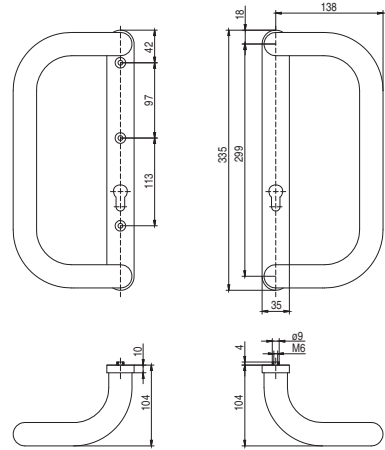
Aluminium tubular bow-type handles assembled with double-sided back plates, screws M6.
Finishing: powder coated - white RAL 9016, bronze RAL 8019, anodized F1, F4.

TYPE

P 300 D/P 300 D



Rectangular bow-type handle

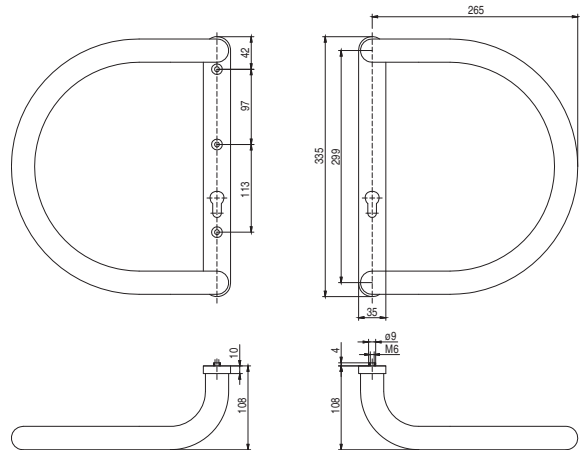


TYPE

P 300 O/P 300 O



Semi-circular bow-type handle

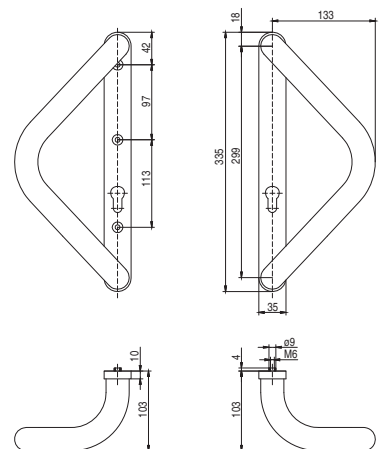


TYPE

P 300 V/P 300 V

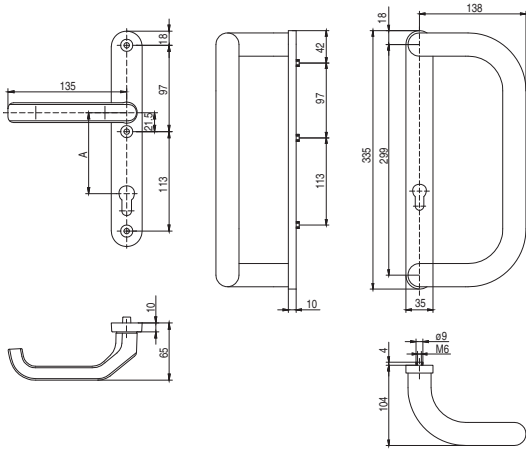


Triangular bow-type handle



Lever set with tubular bow-type handle assembled with double-sided back plate, screws M6, spindle length 8 mm, possibility to set the bow-type handle with any handle for interior doors.

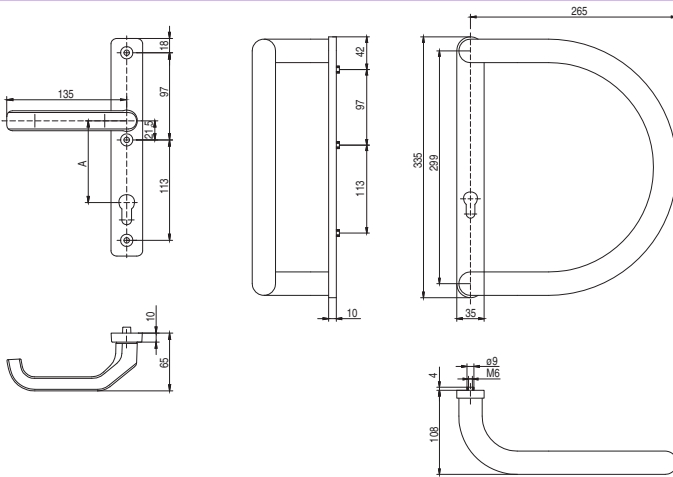
Lever set with rectangular bow-type handle



TYPE
35/1200/P 300 D



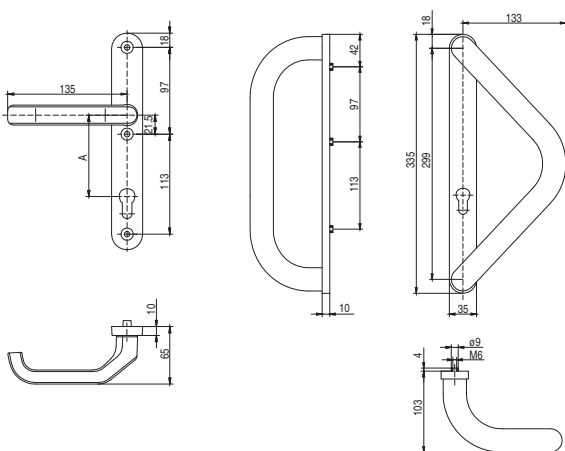
Lever set with semi-circular bow-type handle



TYPE
32/1200/P 300 O



Lever set with triangular bow-type handle



TYPE
35/1200/P 300 V



LEVER

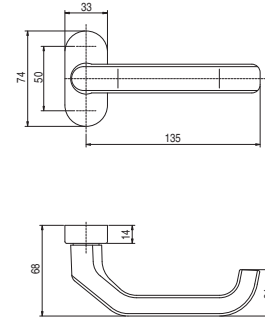
Aluminium door handle on zamak back plate, spring mechanism and aluminium cover cap.
Knob on zamak back plate, in fixed or rotational version, with aluminium cover cap.

Finishing: powder coated - white RAL 9016, bronze RAL 8019, RAL 8022, anodized F1, F4, F9.

TYPE
R32/1200



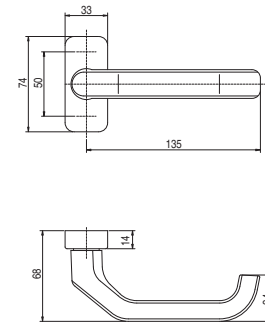
Sectional door handle on oval back plate



TYPE
R32/1200 E



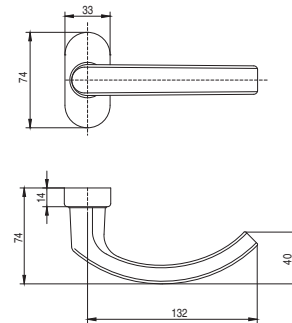
Sectional door handle on rectangular back plate



TYPE
R32/2200



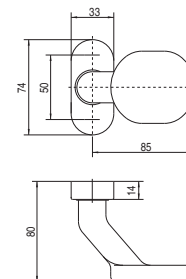
Sectional door handle on oval back plate



TYPE
R32/G3



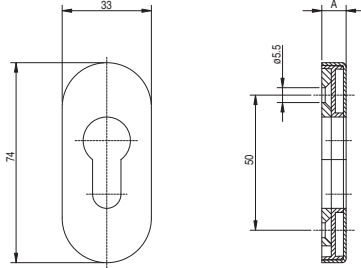
Knob on oval back plate



Cylinder back plate with zamak plate protecting against dismantling and aluminium cover cap.

Finishing: powder coated - white RAL 9016, bronze RAL 8019, RAL 8022, anodized F1, F2, F3, F4, F9.

Oval cylinder back plate

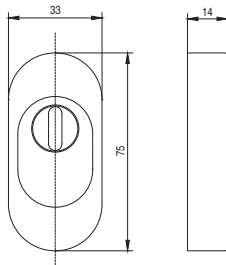


A
6
9



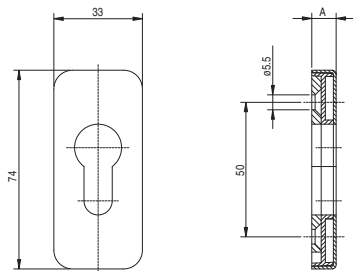
TYPE
33 PZ

Cylinder back plate with burglary protection



TYPE
33 KZ-1

Rectangular cylinder back plate

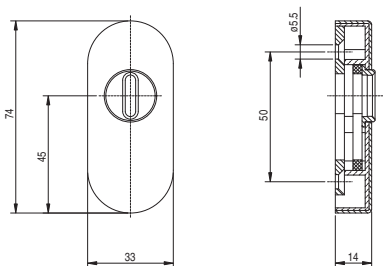


A
6
9



TYPE
33 PZ E

Cylinder back plate with burglary protection



TYPE
33 KZ-2

CYLINDER BACK PLATE

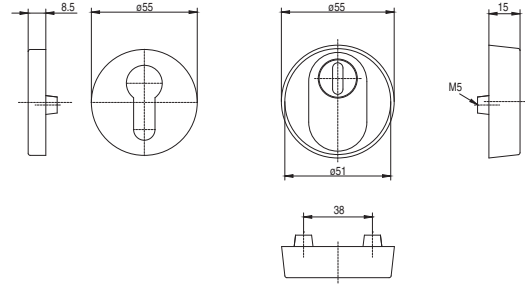
Cylinder back plates set. Interior side – round zamak back plate, cover cap in aluminium.
Exterior side in cast versions with possibility to secure the lock cylinder with burglary protection.

Finishing: aluminium - powder coated - white RAL 9016, bronze RAL 8019, RAL 8022, anodized F1, F2, F3, F4, F9.

TYPE
52 KZ



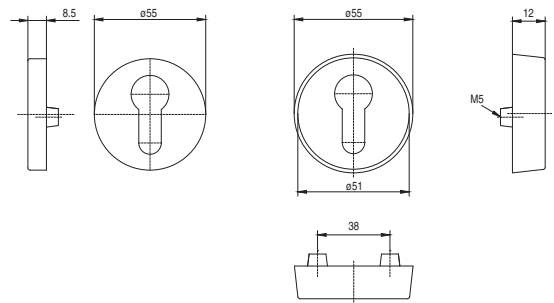
Cylinder back plates set with burglary protection



TYPE
52 PZ



Cylinder back plates set

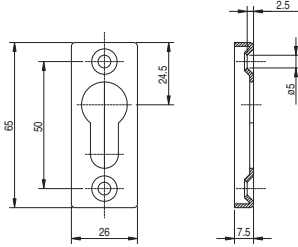


Cylinder back plate in extruded version.

Finishing: powder coated - white RAL 9016, bronze RAL 8019, RAL 8022.

Extruded uniform cylinder back plate

TYPE
26



INTERNAL DOOR HANDLES

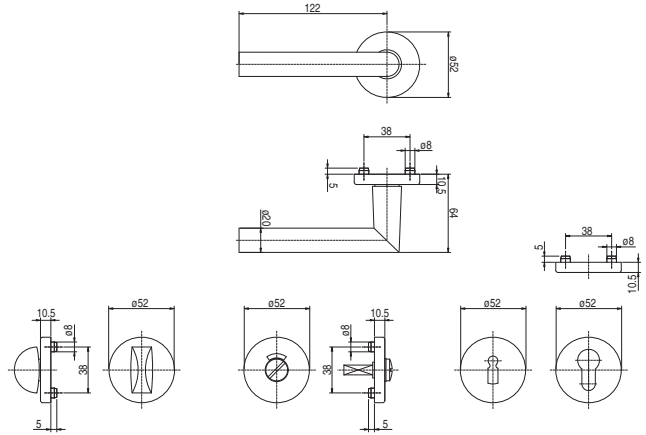
Aluminium door handle – round back plate, aluminium cover cap, additional back plates in versions: key, lock cylinder, WC, screws M5, spindle length 8 mm.

Finishing: anodized F1.

TYPE
1010



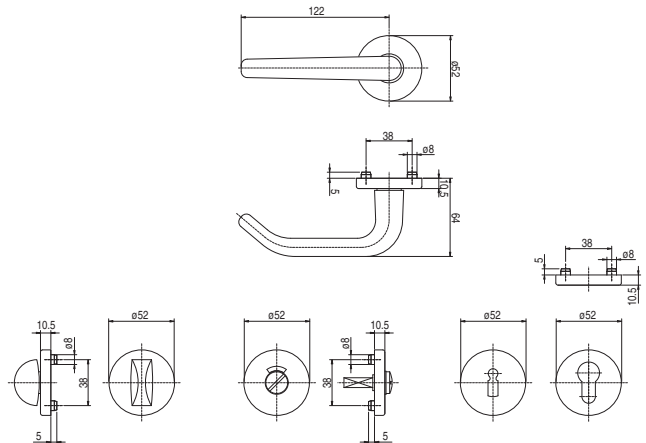
Lever for interior doors



TYPE
1015



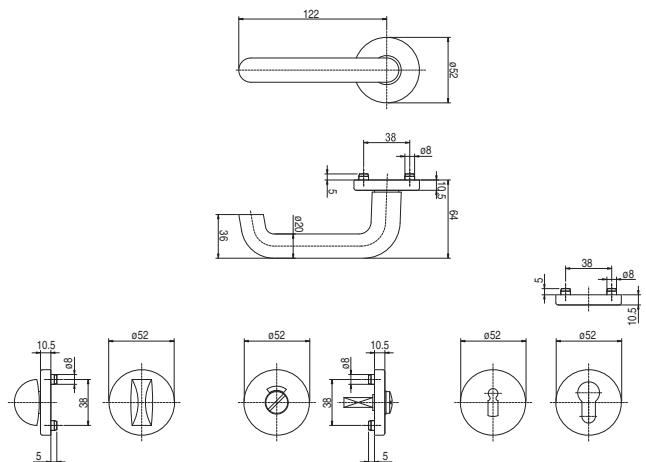
Lever for interior doors



TYPE
1040



Lever for interior doors



INTERNAL DOOR HANDLES

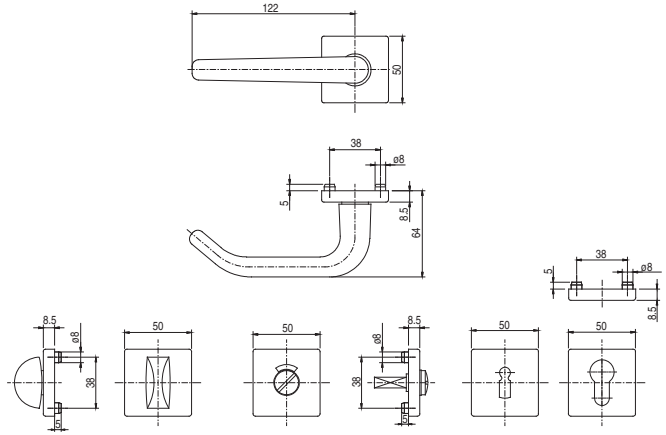
Aluminium door handle – square back plate, aluminium cover cap, additional back plates in versions: key, lock cylinder, WC, screws M5, spindle length 8 mm.

Finishing: anodized F1.

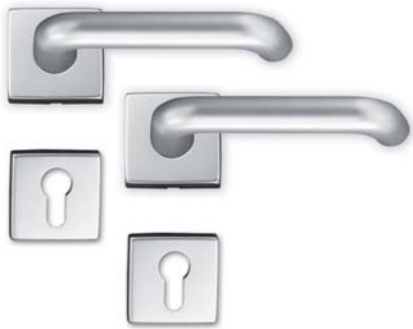
TYPE
1015 E



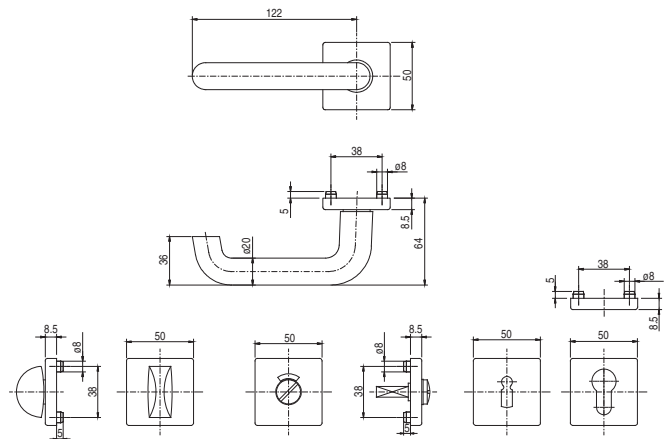
Lever for interior doors



TYPE
1040 E



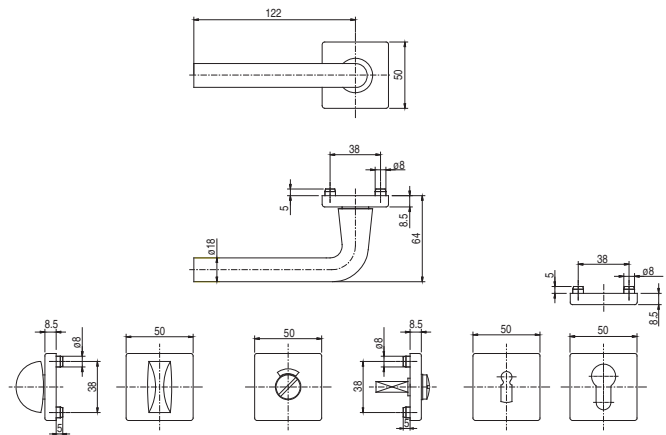
Lever for interior doors



TYPE
1070 E



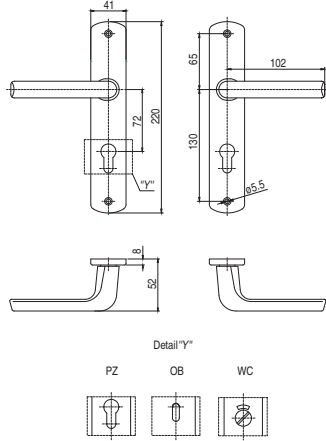
Lever for interior doors



Lever set with spindle length 8mm, aluminium pressed back plates in versions: key, lock cylinder, WC, screws, square spindle.

Finishing: powder coated - white RAL 9016, bronze RAL 8019, anodized F1, F2, F3, F4.

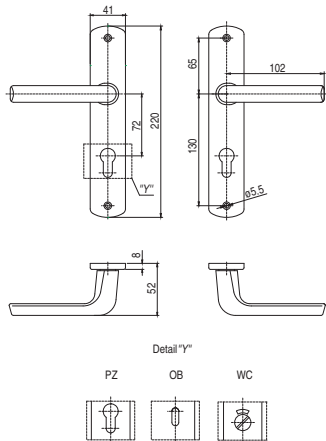
Lever for interior doors



TYPE
2142/3018 L



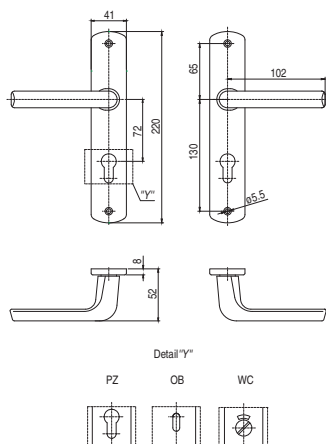
Lever for interior doors



TYPE
2142/3018 L



Lever for interior doors



TYPE
2142/3018 L



INTERNAL DOOR HANDLES

Lever set with spindle length 8mm, aluminium pressed back plates in versions: key, lock cylinder, WC, screws, square spindle.

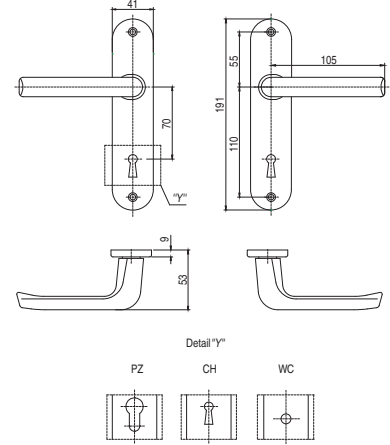
Finishing: powder coated - white RAL 9016, bronze RAL 8019, anodized F1, F2, F3, F4.

TYPE

2151/3012 L



Lever for interior doors

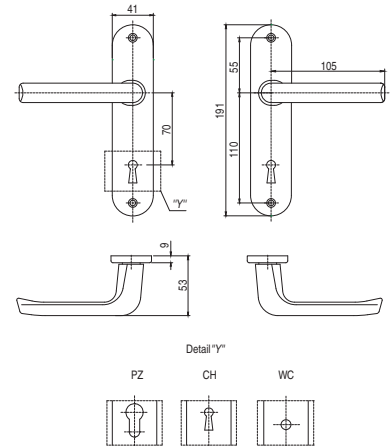


TYPE

2151/3012 L



Lever for interior doors

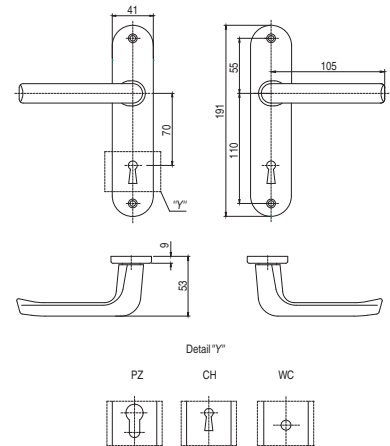


TYPE

2151/3012 L



Lever for interior doors





A L U M I N I U M
WINDOW handles

WINDOW HANDLES

PRODUCT WITH ITB- AND SKG-CERTIFICATE

Aluminium handle, rectangular or oval plastic back plate with aluminium or plastic cover cap, square spindle, with \varnothing 10 and 12mm lugs, spindle length: to be determined, latch: 45° and 90°.

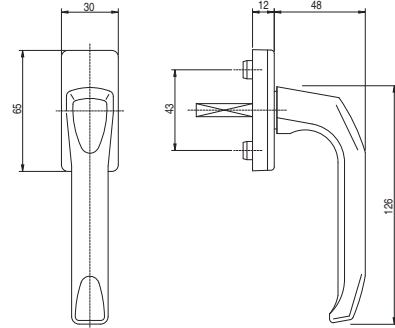
Finishing: powder coated - white RAL 9016, bronze RAL 8019, anodized F1, F2, F3, F4, F9.
Possibility to make a customer logo: extruded, injected or tampographed.

TYPE
1003

ITB-1525/W



Window handle



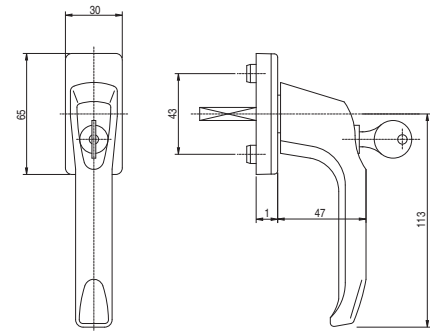
TYPE
1003 A



ITB-1525/W



Lockable window handle

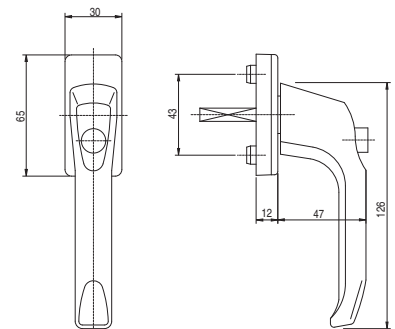


TYPE
1003 D

ITB-1525/W



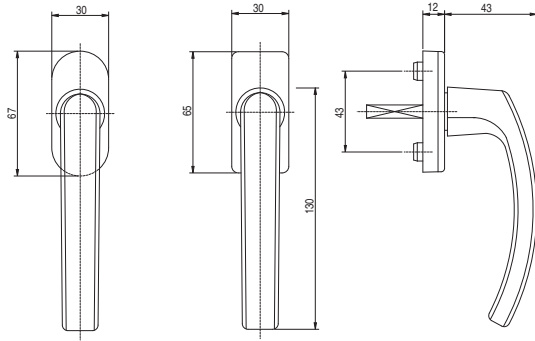
Push-button window handle



Aluminium handle, rectangular or oval plastic back plate with aluminium or plastic cover cap, square spindle, with \varnothing 10 and 12mm lugs, spindle length: to be determined, latch: 45° and 90°.

Finishing: powder coated - white RAL 9016, bronze RAL 8019, anodized F1, F2, F3, F4, F9.
Possibility to make a customer logo: extruded, injected or tampographed.

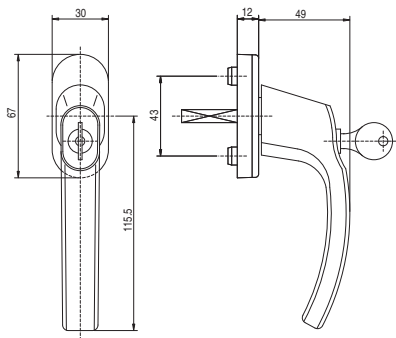
Window handle



TYPE
1005

ITB-1525/W

Lockable window handle

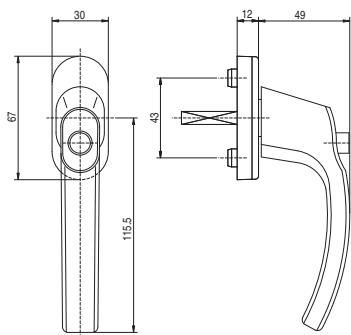


TYPE
1005 A



ITB-1525/W

Push-button window handle



TYPE
1005 D

ITB-1525/W

BURGLARY RESISTANT WINDOW HANDLE

PRODUCT WITH ITB- AND SKG-CERTIFICATE

Aluminium handle, rectangular or oval plastic back plate with aluminium or plastic cover cap, square spindle, with Ø 10 and 12mm lugs, spindle length: to be determined, latch: 45° and 90°.

Finishing: powder coated - white RAL 9016, bronze RAL 8019, anodized F1, F2, F3, F4, F9.

TYPE

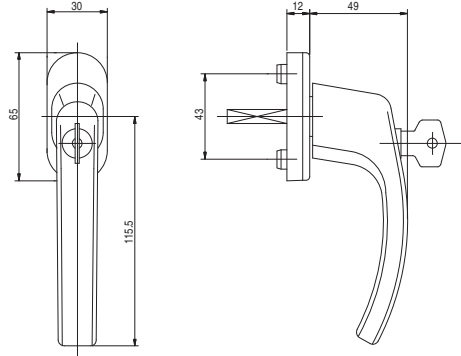
1002 A 100N



ITB-1525/W



Burglary resistant window handle

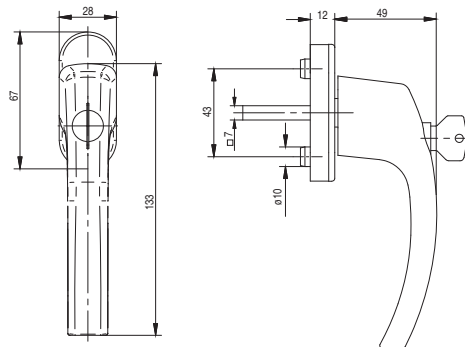


TYPE

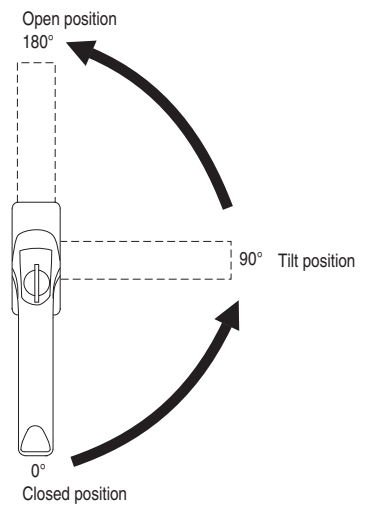
1005 A TBT



Lockable window handle with TBT function (Tilt Before Turn)



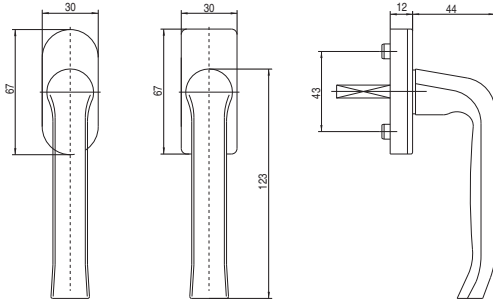
TILT BEFORE TURN



Aluminium handle, rectangular or oval plastic back plate with aluminium or plastic cover cap, square spindle, with Ø 10 and 12mm lugs, spindle length: to be determined, latch: 45° and 90°.

Finishing: powder coated - white RAL 9016, bronze RAL 8019, anodized F1, F2, F3, F4, F9.
Possibility to make a customer logo: extruded, injected or tampographed.

Window handle

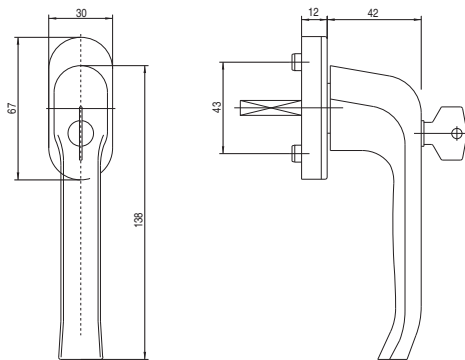


TYPE
1012

ITB-1525/W



Lockable window handle



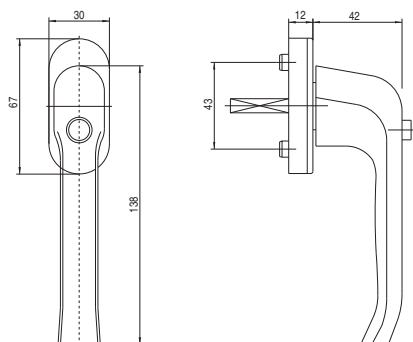
TYPE
1012 A



ITB-1525/W



Push-button window handle



TYPE
1012 D

ITB-1525/W



WINDOW HANDLES

PRODUCT WITH ITB- AND SKG-CERTIFICATE

Aluminium handle, rectangular or oval plastic back plate with aluminium or plastic cover cap, square spindle, with \varnothing 10 and 12mm lugs, spindle length: to be determined, latch: 45° and 90°.

Finishing: powder coated - white RAL 9016, bronze RAL 8019, anodized F1, F2, F3, F4, F9.

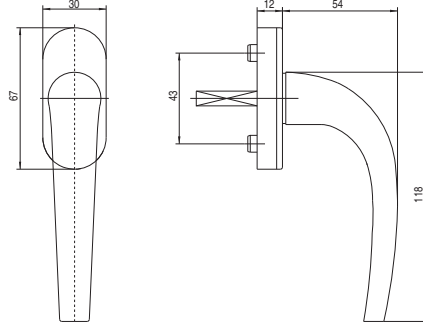
Possibility to make a customer logo: extruded, injected or tampographed.

TYPE
1031

ITB-1525/W



Window handle

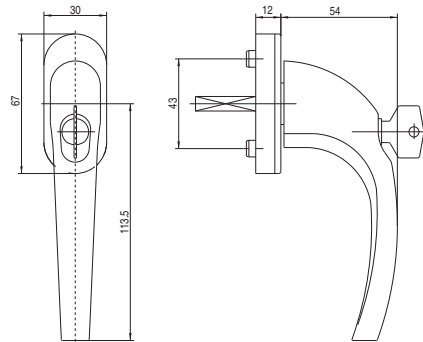


TYPE
1031 A


ITB-1525/W



Lockable window handle

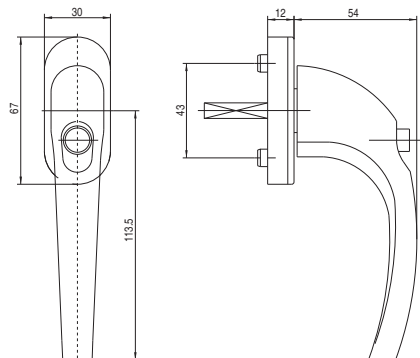


TYPE
1031 D

ITB-1525/W



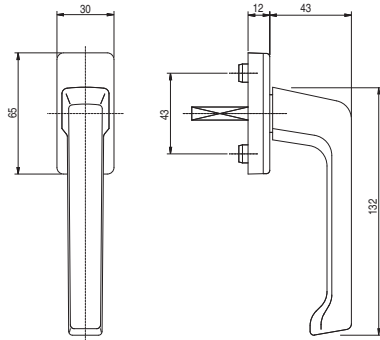
Push-button window handle



Aluminium handle, rectangular or oval plastic back plate with aluminium or plastic cover cap, square spindle, with \varnothing 10 and 12mm lugs, spindle length: to be determined, latch: 45° and 90°.

Finishing: powder coated - white RAL 9016, bronze RAL 8019, anodized F1, F2, F3, F4, F9.
Possibility to make a customer logo: extruded, injected or tampographed.

Window handle

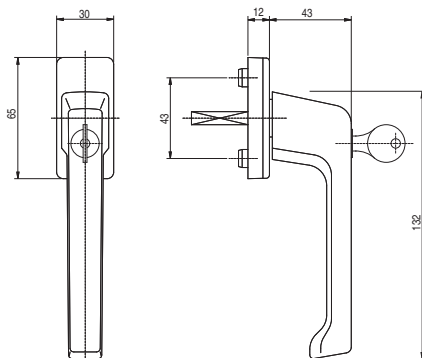


TYPE
1030

ITB-1525/W



Lockable window handle



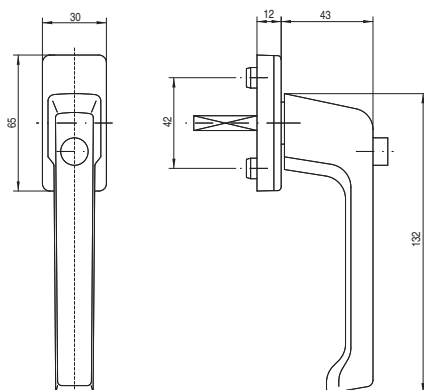
TYPE
1030 A



ITB-1525/W



Push-button window handle



TYPE
1030 D

ITB-1525/W



WINDOW HANDLES

PRODUCT WITH ITB- AND SKG-CERTIFICATE

Aluminium handle, rectangular or oval plastic back plate with aluminium or plastic cover cap, square spindle, with \varnothing 10 and 12mm lugs, spindle length: to be determined, latch: 45° and 90°.

Finishing: powder coated - white RAL 9016, bronze RAL 8019, anodized F1, F2, F3, F4, F9.

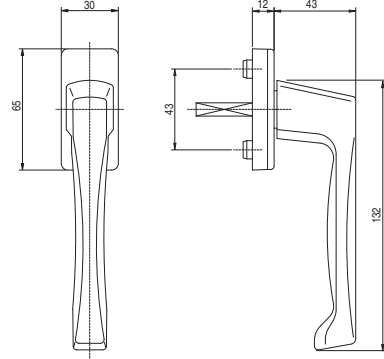
Possibility to make a customer logo: extruded, injected or tampographed.

TYPE
1050

ITB-1525/W



Window handle



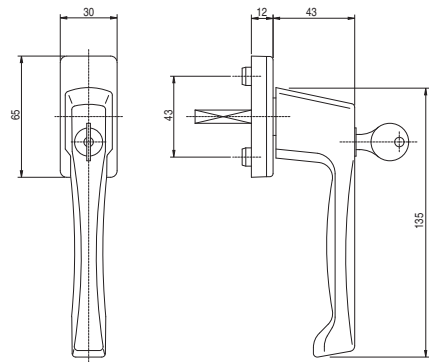
TYPE
1050 A



ITB-1525/W



Lockable window handle

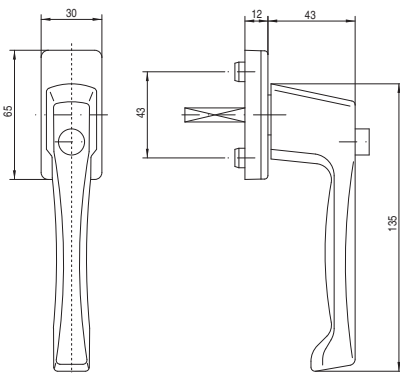


TYPE
1050 D

ITB-1525/W



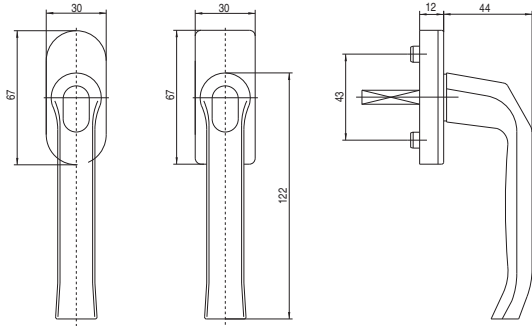
Push-button window handle



Aluminium handle, rectangular or oval plastic back plate with aluminium or plastic cover cap, square spindle, with \varnothing 10 and 12mm lugs, spindle length: to be determined, latch: 45° and 90°.

Finishing: powder coated - white RAL 9016, bronze RAL 8019, anodized F1, F2, F3, F4, F9.
Possibility to make a customer logo: extruded, injected or tampographed.

Window handle

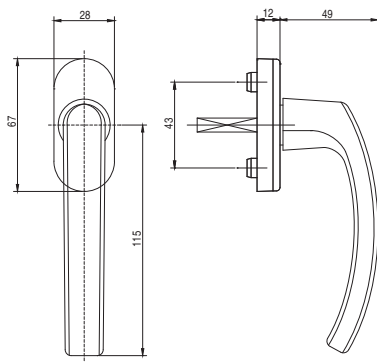


TYPE
 1013

ITB-1525/W



Window handle



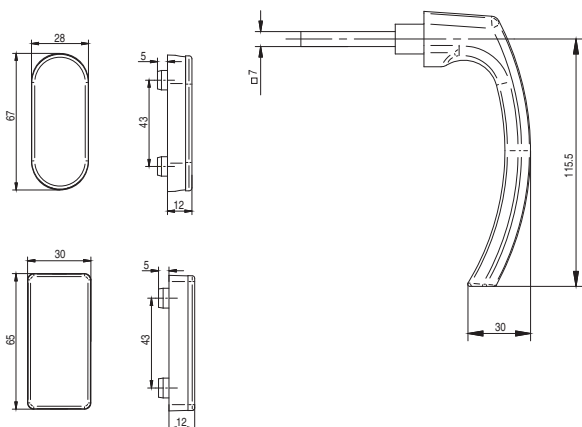
TYPE
 1006

ITB-1525/W



Window handle on rectangular or oval dummy rosette

TYPE
 1005 S



AURATON is the first on the market integrated electronic handle, recognizing 4 positions of the window. There is no need to assembly additional parts to the window, what would only worsen the window aesthetics. As against competition, it has attitudes that ensure security and durability of our product. As power supply, we use lithium battery from a Swiss company that ensures even 20 years of activity. Every 15 minutes the device confirms its current status, transmitting the signal wireless.

Competitive solutions basing on piezoelectric power supply, transmit the signal only when the handle position changes. Another advantage of our handle is possibility to analyse the temperature, what extends application this handle also for fire protection purposes.

Below some reasons why this handle meets the highest expectations:

TYPE
H1-1005



Burglary resistant function and signaling position of the window

Handle that is recognizing 4 positions of the window is the best element ensuring safety of the building. In set with alarm system it creates very effective burglary resistant system.

Handle is equipped with its own LMS (Logic Managing System) communications record, radio transmission is coded and very short. Handle sensors are secured against sabotage from outside, and every device has its own address.

TYPE
Receiver AURATON RTA



TYPE
H1-1031



Fire protection function

Handle is equipped with temperature sensor. Cooperating with Auraton RTF receiver it can be an element of fire protection installation.

Handle analyses the temperature nearby the window and is able to start the fire alarm, when the temperature reaches 57 °C or rises faster than 1°C in 10 seconds.

TYPE
Receiver AURATON RTF



TYPE
H1-1003



Function of air conditioning regulation

Handle can cooperate with the air conditioning controller as well, turning it off at the moment of opening the window. It has also function protecting the air conditioning before damage when the windows are often opening.

TYPE
Receiver AURATON RTH



TYPE
H1-1012



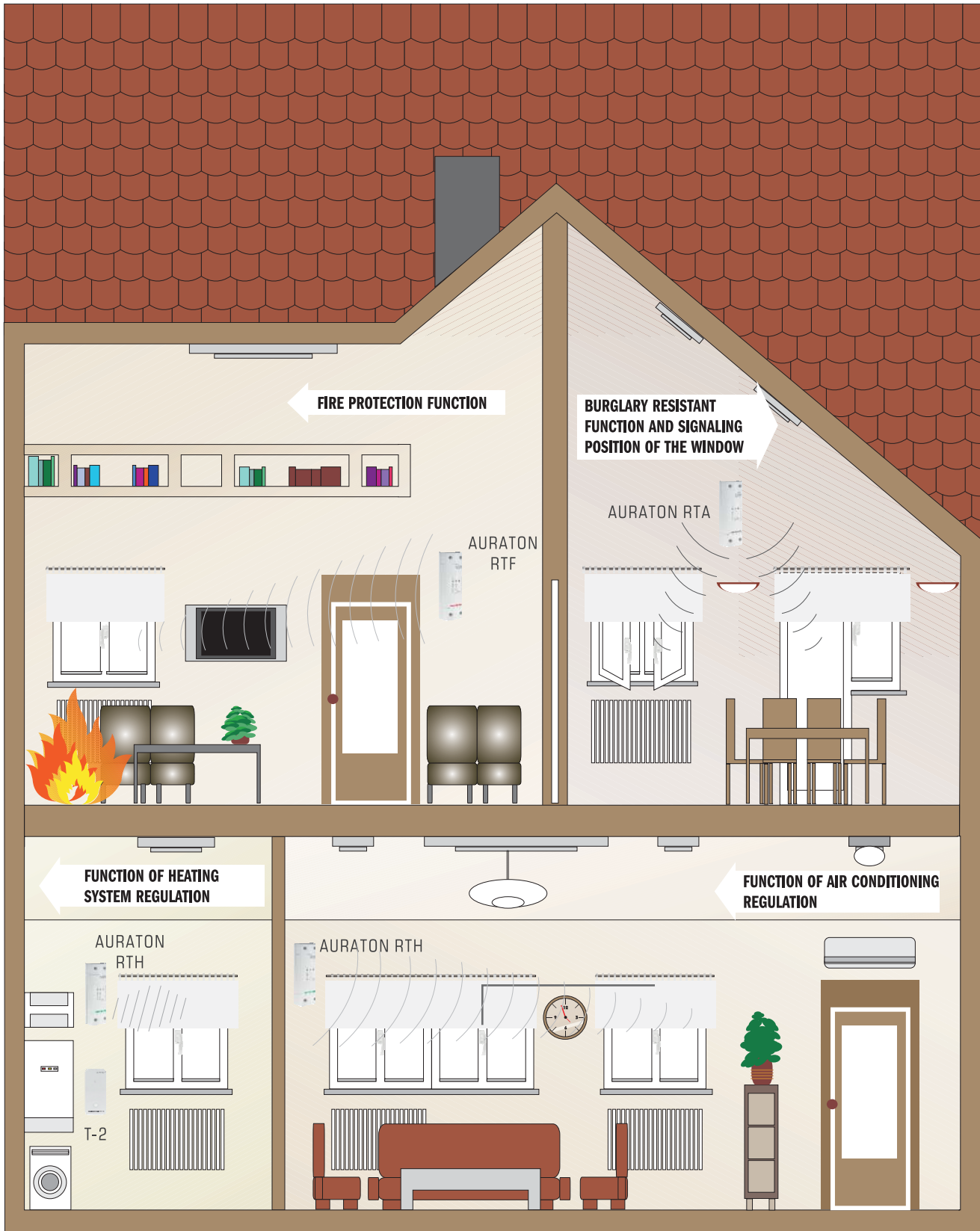
Function of heating system regulation

The handle is a very important element in energy saving.

The handle recognizes 4 positions of the window: open, closed, tilt and trickle ventilated. The handle transmits information to the RTH receiver that controls the relay, e.g. switching off a heater in the event of opening the window or lowering the temperature down by 3 °C when the window is left in tilt position, which allows to save the energy. The RTH receiver is also equipped in anti-freezing function, which can be activated in case of longer trip or to prevent freezing of heating system.



Wireless temperature controller AURATON T-1



WINDOW HANDLES

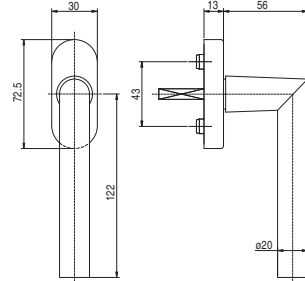
Aluminium handle, plastic disc on aluminium back plate, ball latch mechanism, square spindle, with \varnothing 10 mm lugs, spindle length: to be determined, latch: 90°, 45°.

Finishing: powder coated - white RAL 9016, bronze RAL 8019, anodized F1.

TYPE
1010



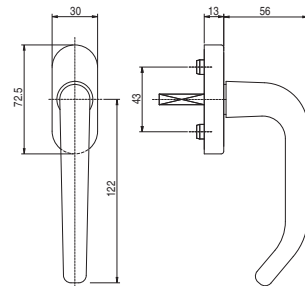
Window handle



TYPE
1015



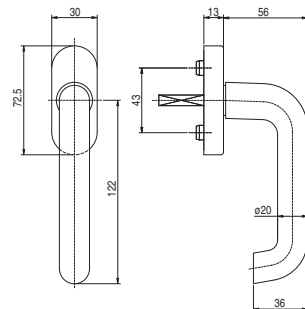
Window handle



TYPE
1040



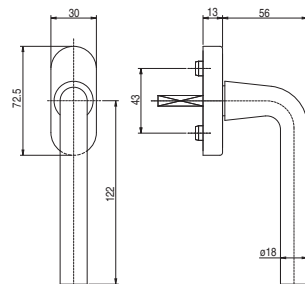
Window handle



TYPE
1070



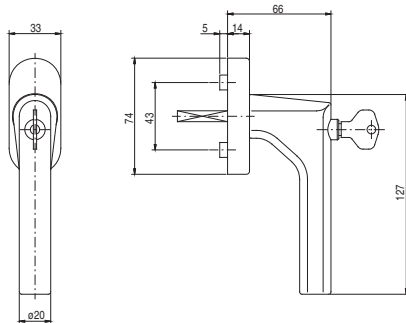
Window handle



Aluminium handle, plastic disc on aluminium back plate, ball latch mechanism, square spindle, with \varnothing 10 mm lugs, spindle length: to be determined, latch: 90°, 45°.

Finishing: powder coated - white RAL 9016, bronze RAL 8019, anodized F1.

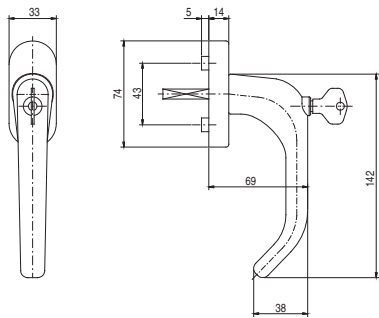
Lockable window handle



TYPE
1010 A



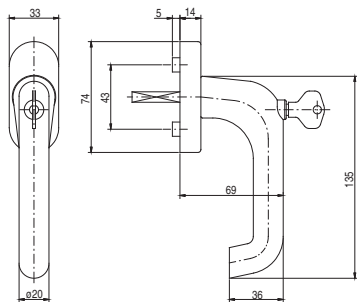
Lockable window handle



TYPE
1015 A



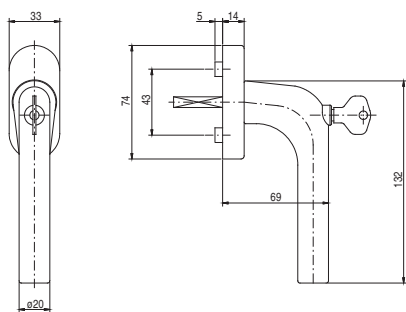
Lockable window handle



TYPE
1040 A



Lockable window handle



TYPE
1070 A



BALCONY LEVER

Aluminium lever set on back plates, screws M5 x 95, square spindle 7mm x 120, set of cylinder back plates.

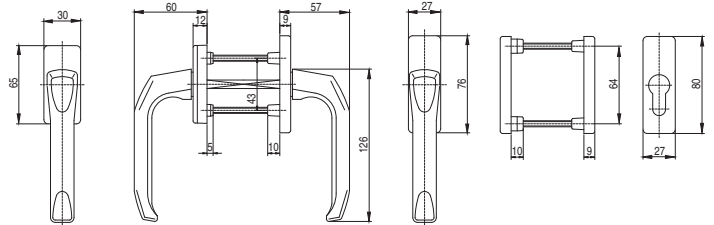
Finishing: powder coated - white RAL 9016, bronze RAL 8019, anodized F1, F2, F3, F4.

TYPE

1003 KB E



Balcony lever set

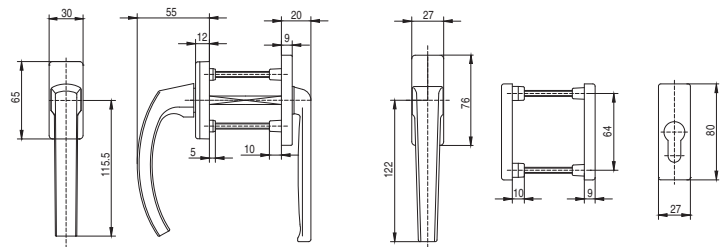


TYPE

1005 KBR E



Balcony lever set with low handle for roller shutters

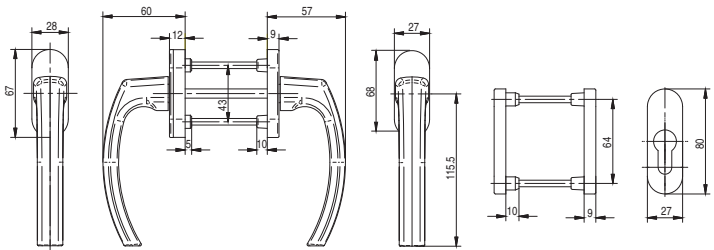


TYPE

1005 KB



Balcony lever set with oval back plates

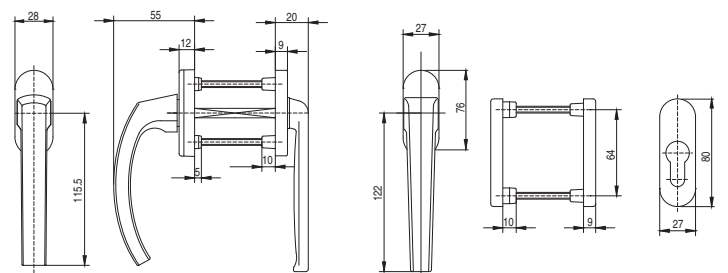


TYPE

1005 KBR



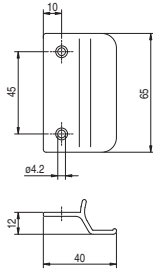
Balcony lever set with low handle for roller shutters and oval back plates



Balcony pad handle in aluminium with or without offset.

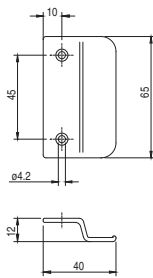
Finishing: powder coated - white RAL 9016, bronze RAL 8019, anodized F1, F2, F3, F4, F9.

Balcony pad handle with offset



TYPE
UB S

Balcony pad handle without offset



TYPE
UB

SPECIAL HANDLES

PRODUCT WITH ITB-CERTIFICATE

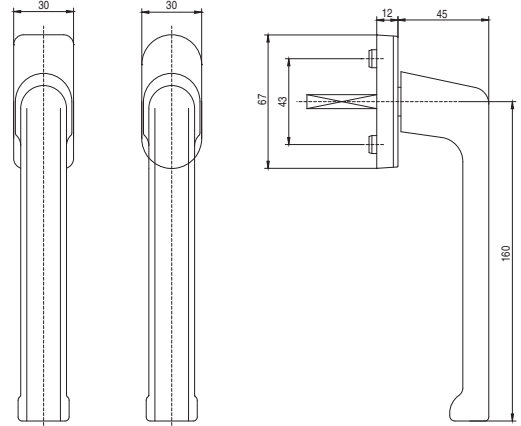
Aluminium handle, rectangular or oval plastic back plate with securing plate, zamak back plate, aluminium cover cap, square spindle, with \varnothing 10 and 12mm lugs, spindle length: to be determined, latch: 45° and 90°.

Finishing: powder coated - white RAL 9016, bronze RAL 8019, anodized F1, F2, F3, F4, F9.

TYPE
501



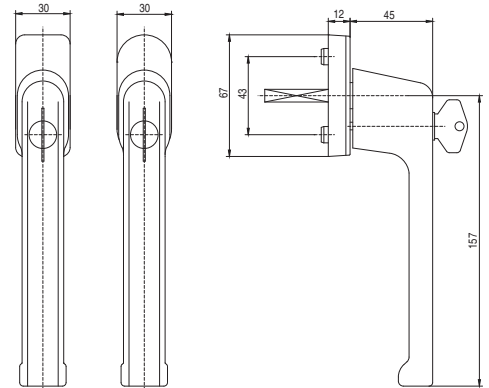
Handle for sliding door



TYPE
501 A



Lockable handle for sliding door

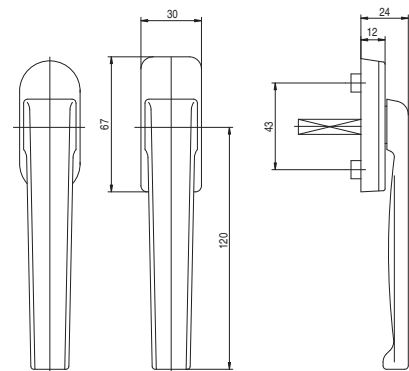


TYPE
1030 R

ITB-1525/W



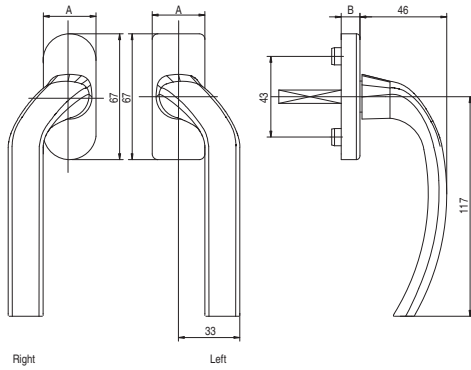
Window low handle for roller shutters



Aluminium handle, rectangular or oval plastic back plate with aluminium or plastic cover cap, square spindle 7 mm and 8mm, with Ø 10 and 12mm lugs, spindle length: to be determined, latch: 45° and 90°.

Finishing: powder coated - white RAL 9016, bronze RAL 8019, anodized F1.

Handles for windows opening outside



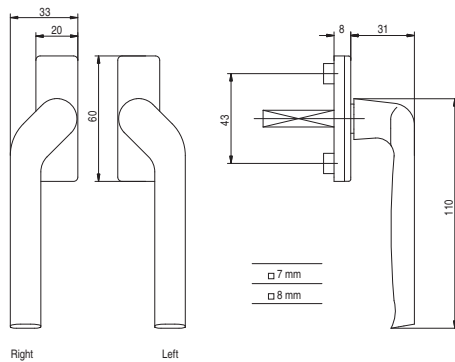
TYPE
1005 V

A	B
24	13
28	12



Handles for windows opening outside

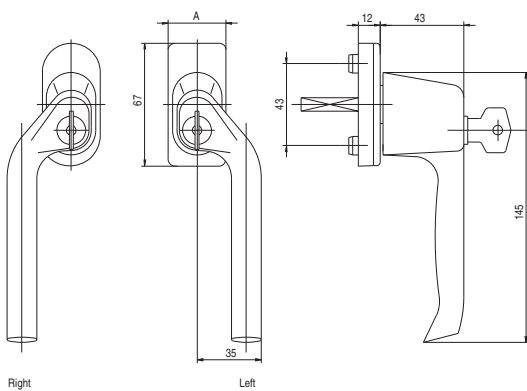
Diameter of lugs only 10 mm



TYPE
1012 VM



Handles for windows opening outside



TYPE
1012 VA

A
28
30





B R A S S
handles

LEVER

PRODUCT WITH ITB-CERTIFICATE

Brass lever set, with pad handle or knob, zamak back plate with hardened steel cylinder and spring mechanism, cover cap secured with ball latch, screws M6, spindle length 8 mm.

Finishing: polished brass.

TYPE

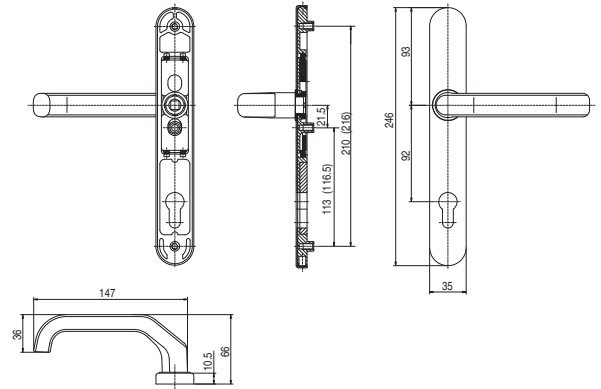
35A/1200

ITB-1350/W



Lever

3 7 - 0 1 3 2 B



TYPE

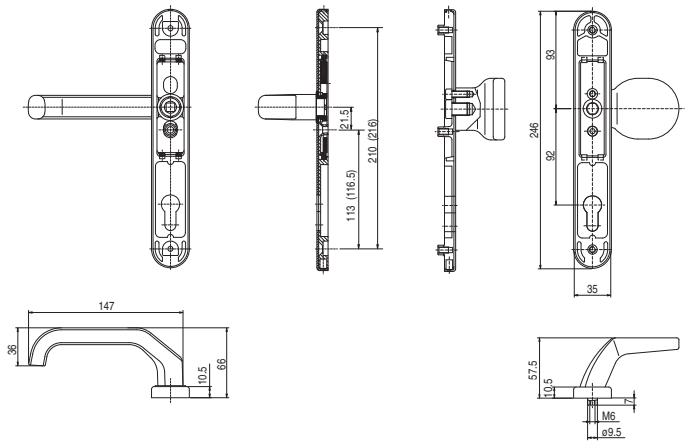
35A/1200 G

ITB-1350/W



Lever set with knob

3 7 - 0 1 3 2 B



TYPE

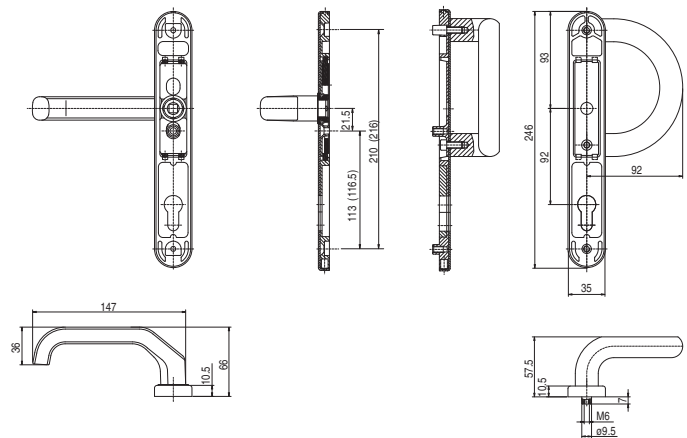
35A/1200 P

ITB-1350/W



Lever set with pad handle

3 7 - 0 1 3 2 B

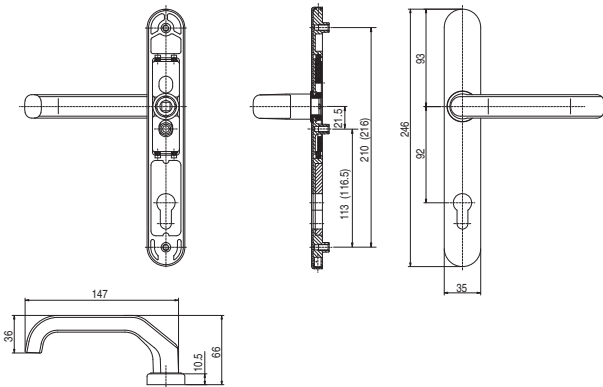


Brass lever set, zamak back plate with hardened steel cylinder and spring mechanism, cover cap secured with ball latch, screws M6, spindle length 8 mm.

Finishing: bronzed brass.

3 7 - 0 1 3 2 B

Lever



TYPE

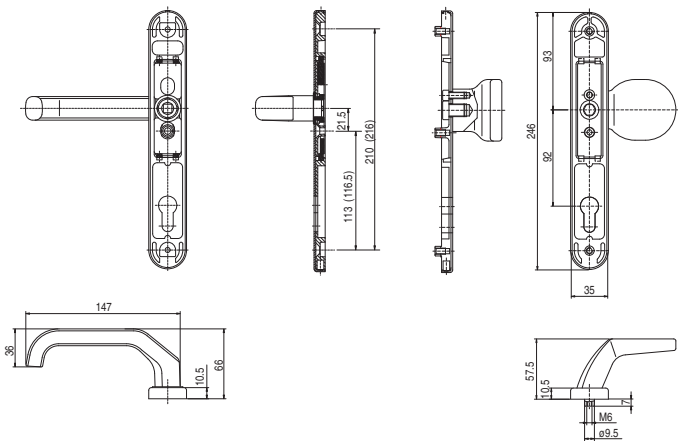
35A/1200

ITB-1350/W



3 7 - 0 1 3 2 B

Lever set with knob



TYPE

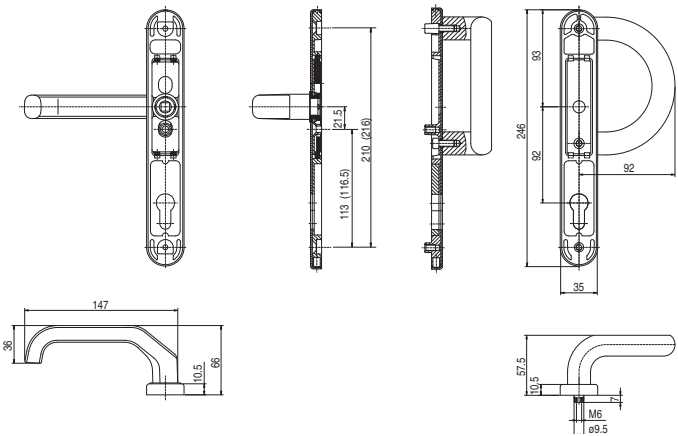
35A/1200 G

ITB-1350/W



3 7 - 0 1 3 2 B

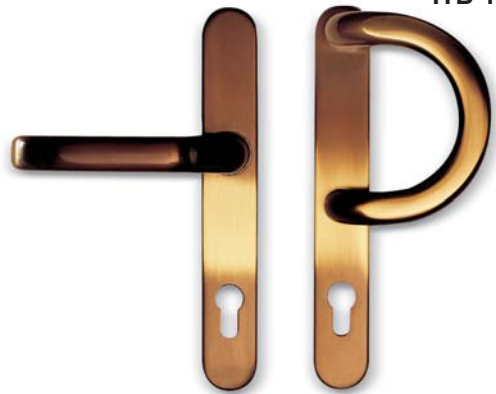
Lever set with pad handle



TYPE

35A/1200 P

ITB-1350/W



CYLINDER BACK PLATE

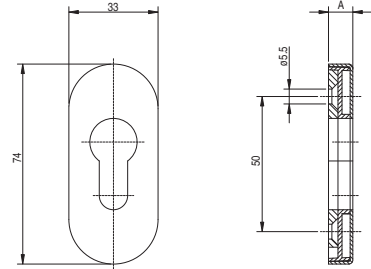
Brass cylinder back plate with zamak plate protecting against dismantling and brass cover cap.
Finishing: polished brass, bronzed brass.

TYPE
33 PZ



A
6
9

Oval cylinder back plate

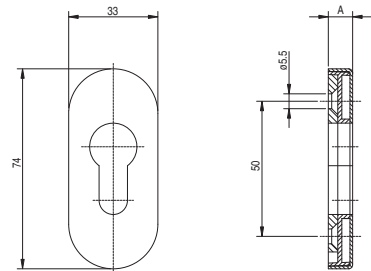


TYPE
33 PZ



A
6
9

Oval cylinder back plate





S T A I N L E S S
S T E E L
door handles

LEVER

PRODUCT WITH ITB-CERTIFICATE

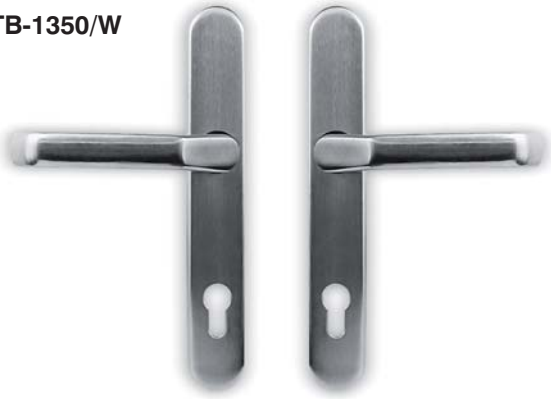
Stainless steel lever set, zamak back plate with hardened steel cylinder and spring mechanism, cover cap secured with ball latch, screws M6 and spindle length 8 mm.

Finishing: stainless steel.

TYPE

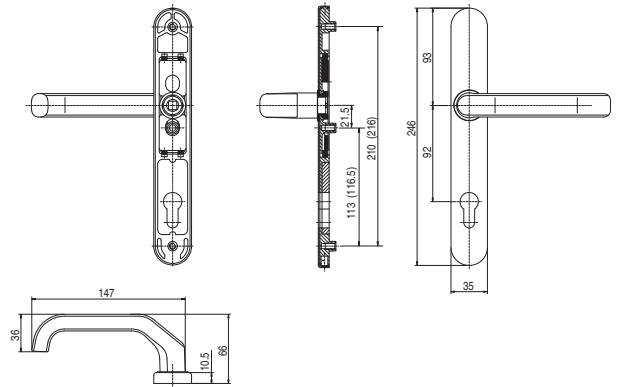
35A/1200

ITB-1350/W



Lever

3 7 - 0 1 3 2 B



TYPE

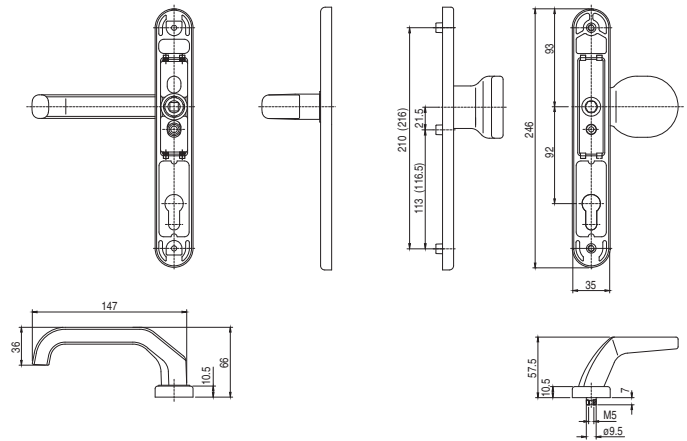
35A/1200 G

ITB-1350/W



Lever set with knob type G

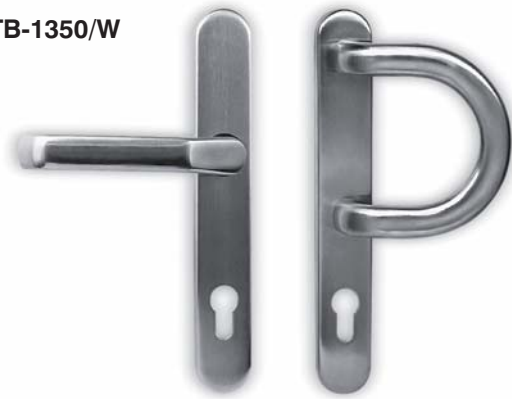
3 7 - 0 1 3 2 B



TYPE

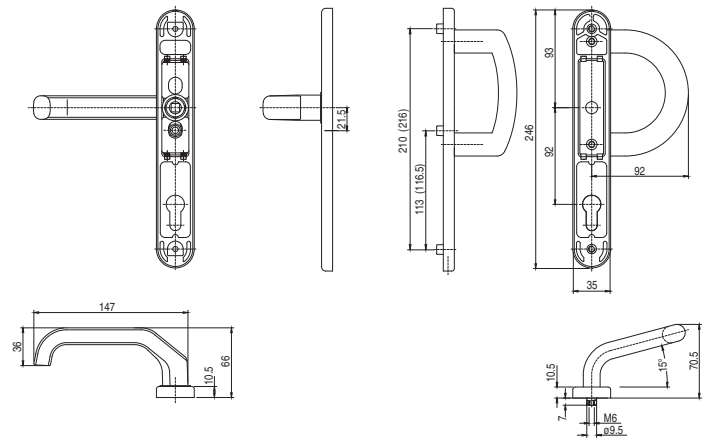
35A/1200 P

ITB-1350/W



Lever set with pad handle type P

3 7 - 0 1 3 2 B

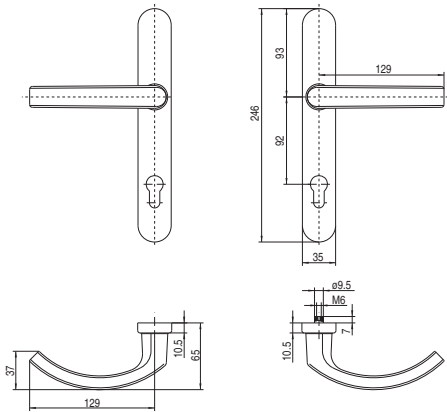


Stainless steel lever set, zamak back plate with hardened steel cylinder and spring mechanism, cover cap secured with ball latch, screws M6 and spindle length 8 mm.

Finishing: stainless steel.

3 7 - 0 1 3 2 B

Lever



TYPE

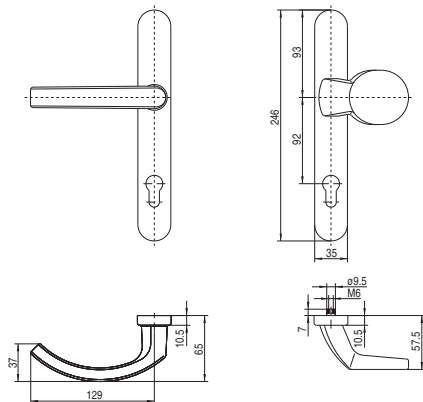
35A/2000

ITB-1350/W



3 7 - 0 1 3 2 B

Lever set with knob



TYPE

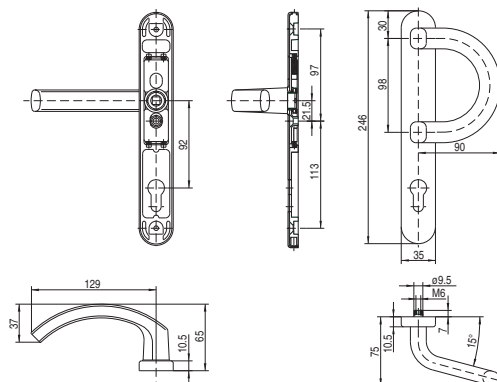
35A/2000 G

ITB-1350/W



3 7 - 0 1 3 2 B

Lever set with pad handle type P



TYPE

35A/2000 P

ITB-1350/W



LEVER

PRODUCT WITH ITB-CERTIFICATE

Stainless steel lever set, zamak back plate with hardened steel cylinder and spring mechanism, cover cap secured with ball latch, screws M6 and spindle length 8 mm.

Finishing: stainless steel.

TYPE

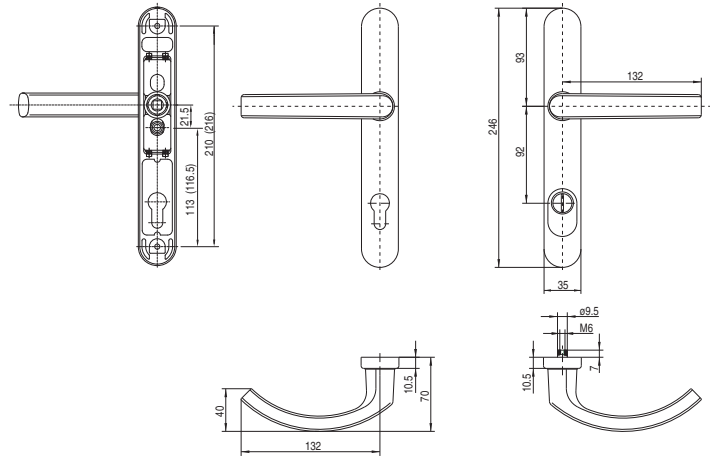
35A/2000 KZ

ITB-1350/W



Lever

3 7 - 0 1 3 2 B



TYPE

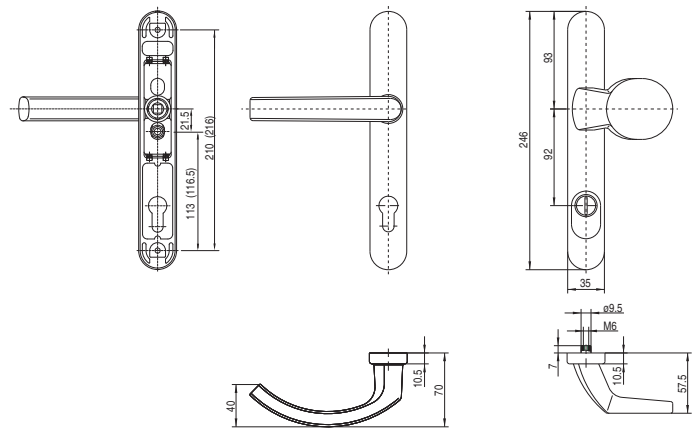
35A/2000 G KZ

ITB-1350/W



Lever set with knob

3 7 - 0 1 3 2 B



TYPE

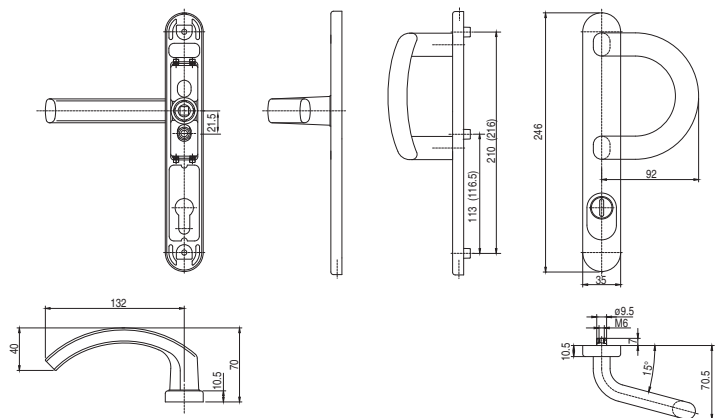
35A/2000 P KZ

ITB-1350/W



Lever set with pad handle type P

3 7 - 0 1 3 2 B

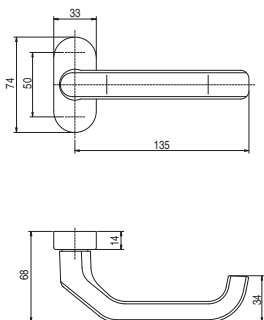


Stainless steel lever on zamak back plate, spring mechanism and cover cap. The cylinder back plate with zamak plate protecting against dismantling and cover cap.

Finishing: stainless steel.

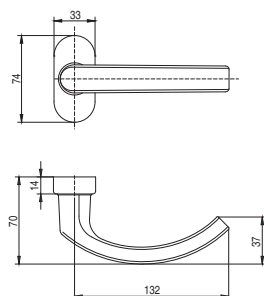
Sectional lever on oval back plate

TYPE
R32/1200



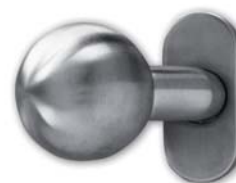
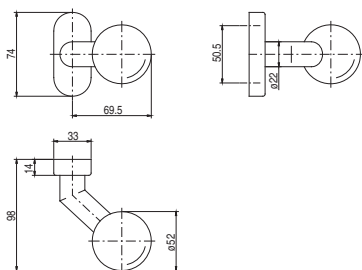
Sectional lever on oval back plate

TYPE
R32/2000



Knob on oval back plate

TYPE
R32/G4



CYLINDER BACK PLATE

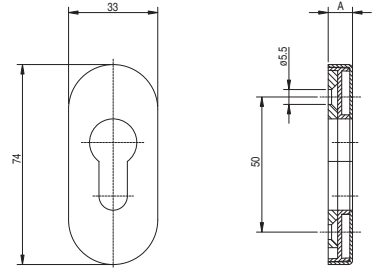
Cylinder back plate with zamak plate protecting against dismantling and cover cap.
Finishing: stainless steel.

TYPE
33 PZ



A
6
9

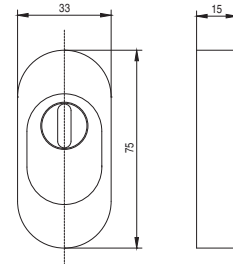
Oval cylinder back plate



TYPE
33 KZ-1



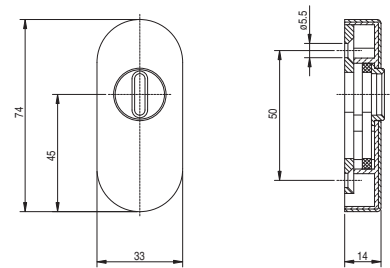
Cylinder back plate with burglary protection



TYPE
33 KZ-2

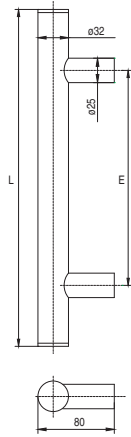


Cylinder back plate with burglary protection



Tube handle with fixing elements.
Finishing: stainless steel.

Tube handle straight I

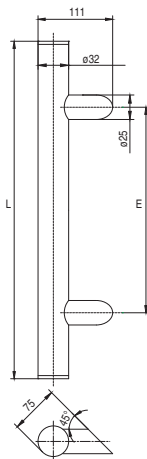


L	E
400 mm	300 mm
600 mm	400 mm
800 mm	600 mm
1000 mm	800 mm
1200 mm	1000 mm
1400 mm	1200 mm
2000 mm	1800 mm



TYPE
PR I

Tube handle straight II



L	E
400 mm	300 mm
600 mm	400 mm
800 mm	600 mm
1000 mm	800 mm
1200 mm	1000 mm
1400 mm	1200 mm
2000 mm	1800 mm



TYPE
PR II

Fixings



PVC, timber, aluminium
double-sided



PVC, timber, aluminium
one-sided



glass
one-sided

WINDOW HANDLES

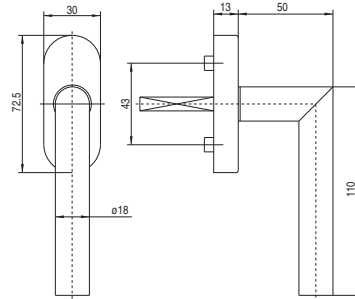
Steel handle, plastic disc on steel back plate, ball latch mechanism, spindle length 7 mm, with \varnothing 10 mm lugs, spindle length to be determined, latch: 45° and 90°.

Finishing: stainless steel.

TYPE
1010



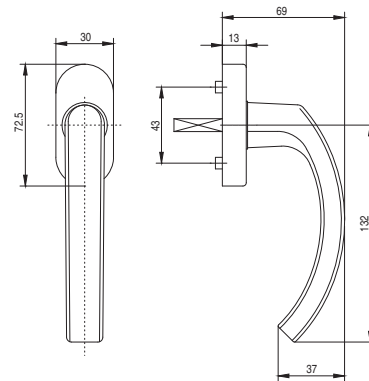
Window handle



TYPE
1020



Window handle





www.batimex.biz

