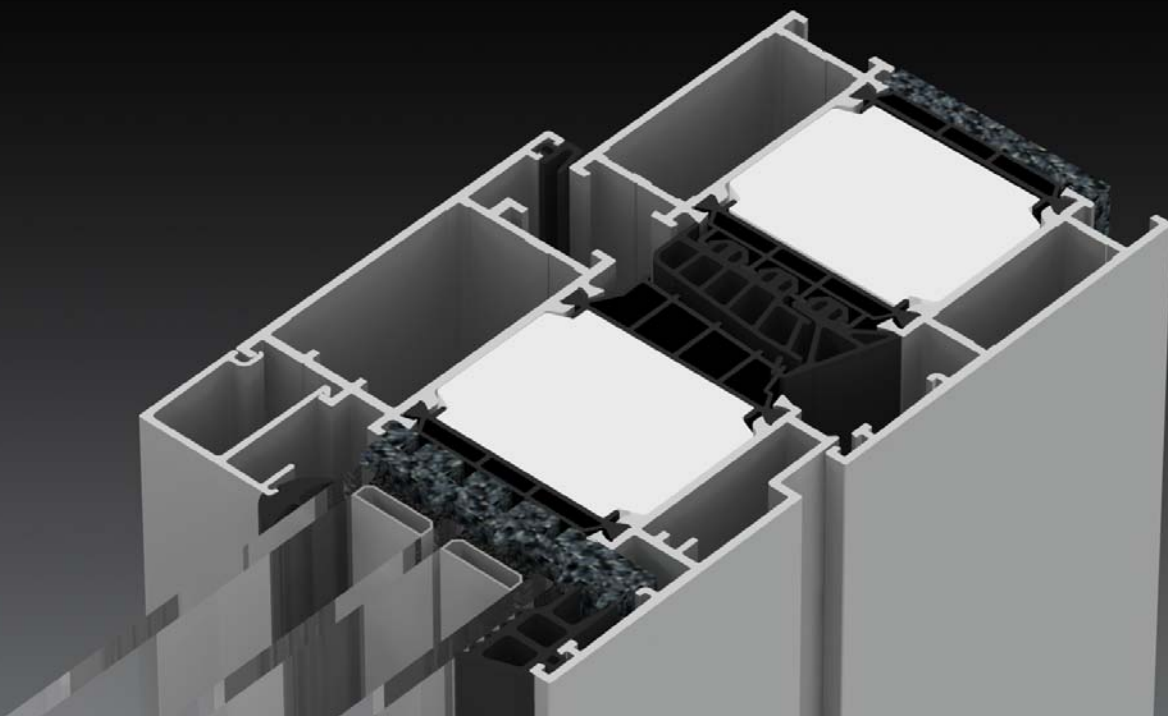
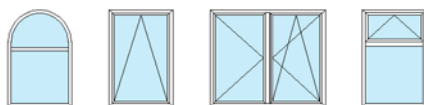
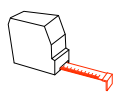


blyweert[®]
aluminium
exactly your profile

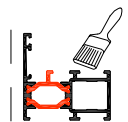


Olympia 09





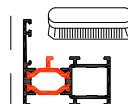
Lengte (mm)
Longueur (mm)
Length (mm)



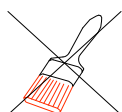
Omtrek
Périmètre
Perimeter



Kleur
Couleur
Color



Borstel-omtrek
Périmètre brossage
Perimeter of brushing



Brut
Brut
Mill finish



Pershoek
Équerre sertir
Clamping corner



Zwart
Noir
Black



Schroefhoek
Équerre à visser
Square coupling joint



Wit
Blanc
White



T-verbinding
Attacher traverse
Connection for transom



RAL
RAL
RAL



Variabele hoekverbinding
Équerre à angle variable
Adjustable connecting component



Pagina
Page
Page



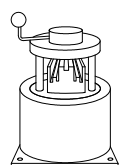
Primaire zichtzijde
Surface primaire
Primary surface



Toepassing
Application
Application



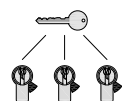
Secundaire zichtzijde
Surface secondaire
Secondary surface



Kapmatrijs
Poinçonneuse
Punch tool

AN

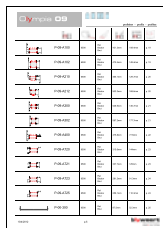
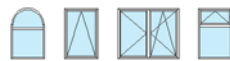
Geanodiseerd
Anodisé
Anodised



Cilinder gelijksluitend
Cylindre même fermeture
Cylinder keyed-alike

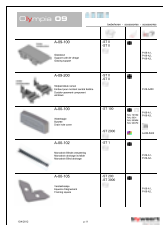
~~AN~~

Niet geanodiseerd
Pas de anodisé
not anodised



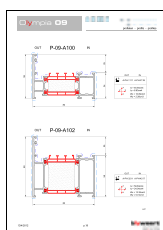
Profieloverzicht
Overview profil
Profile overview

p. 5



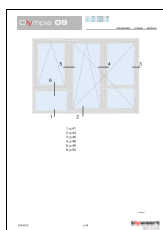
Toebehoren
Accessoires
Accessories

p. 11



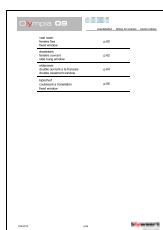
Profielen
Profils
Profiles

p. 27



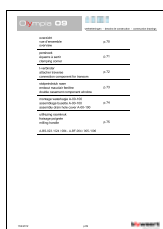
Doorsneden
Coupes
Section

p. 47



Zaagtabellen
Tables de sciages
Sawing tables

p. 71



Werktekeningen
Dessins de construction
Construction drawings

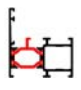
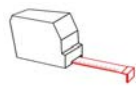


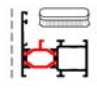




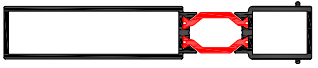
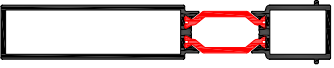
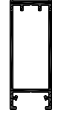




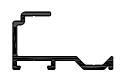
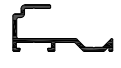
p. 85



| | P-09-A100 | 6500 | Ral Bicolor Brut | 431.3mm | 108.4mm | p. 27 |
|--|-----------|------|------------------------|---------|---------|-------|
| | P-09-A102 | 6500 | Ral Bicolor Brut | 472.4mm | 149.4mm | p. 27 |
| | P-09-A210 | 6500 | Ral Bicolor Brut | 465.1mm | 129.7mm | p. 28 |
| | P-09-A212 | 6500 | Ral Bicolor Brut | 503.3mm | 168.6mm | p. 28 |
| | P-09-A300 | 6500 | Ral Bicolor Brut | 546.9mm | 136.7mm | p. 29 |
| | P-09-A302 | 6500 | Ral Bicolor Brut | 587.2mm | 177.7mm | p. 29 |
| | P-09-A400 | 6500 | Ral Bicolor Brut | 475.8mm | 77.6mm | p. 30 |
| | P-09-A720 | 6500 | Ral Bicolor Brut | 315.6mm | 144mm | p. 31 |
| | P-09-A721 | 6500 | Ral Bicolor Brut | 337.7mm | 125mm | p. 31 |
| | P-09-A723 | 6500 | Ral Bicolor Brut | 281.2mm | 91.3mm | p. 32 |
| | P-09-A725 | 6500 | Ral Bicolor Brut | 259.1mm | 110.3mm | p. 32 |
| | P-00-300 | 6500 | Ral Brut | 87.5mm | 52.3mm | p. 33 |



profielen - profils - profiles

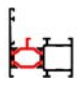
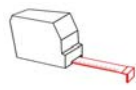


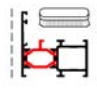








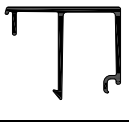

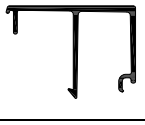
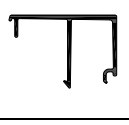
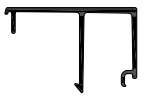
| |  |  |  |  |  |  |
|---|---|---|--|---|---|---|
|  | P-00-302 | 6500 | Ral Brut | 308.1mm | 117.4mm | p. 33 |
|  | P-00-303 | 6500 | Ral Brut | 251.7mm | 97.5mm | p. 33 |
|  | P-00-500 | 7000 6500 | Ral Brut | 86.8mm | 21.9mm | p. 34 |
|  | P-00-512 | 6500 | Ral Bicolor Brut | 285mm | 231mm | p. 34 |
|  | P-00-513 | 6500 | Ral Bicolor Brut | 295mm | 231mm | p. 34 |
|  | P-00-515 | 6500 | Ral Brut | 270mm | 171.6mm | p. 34 |
|  | P-00-601 | 6500 | AN | 51.7mm | 22.5mm | p. 35 |
|  | P-00-602 | 6500 | AN | 45.1mm | 17.1mm | p. 35 |
|  | P-00-700 | 6500 | Brut | - | - | p. 35 |
|  | P-00-702 | 6500 | Ral Brut | 104.1mm | 31.6mm | p. 35 |
|  | P-00-710 | 6500 | Ral Brut | 220mm | 48.6mm | p. 35 |
|  | P-00-711 | 6500 | Ral Brut | 208.7mm | 42.7mm | p. 35 |



| | P-00-720 | 6500 | Ral Brut | 204.8mm | 83.9mm | p. 36 |
|--|----------|------|----------|---------|---------|-------|
| | P-00-721 | 6500 | Ral Brut | 287mm | 138.5mm | p. 36 |
| | P-00-722 | 6500 | Ral Brut | 345.9mm | 168.6mm | p. 36 |
| | P-00-723 | 6500 | Ral Brut | 06.1mm | 198.7mm | p. 37 |
| | P-00-724 | 6500 | Ral Brut | 466.3mm | 228.8mm | p. 37 |
| | P-00-725 | 6500 | Ral Brut | 526.5mm | 258.9mm | p. 38 |
| | P-00-726 | 6500 | Ral Brut | 586.8mm | 289.1mm | p. 38 |
| | P-6s-003 | 6500 | Ral Brut | 89.1mm | 27.3mm | p. 39 |
| | P-6s-007 | 6500 | Ral Brut | 108mm | 31.3mm | p. 39 |
| | P-6s-011 | 6500 | Ral Brut | 118.1mm | 35.3mm | p. 39 |
| | P-6s-013 | 6500 | Ral Brut | 122.8mm | 37.3mm | p. 39 |
| | P-6s-015 | 6500 | Ral Brut | 145.3mm | 39.3mm | p. 39 |



profielen - profils - profiles

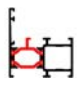
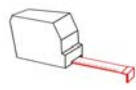


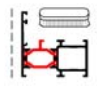

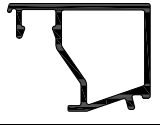
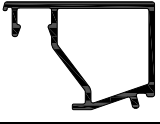
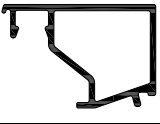
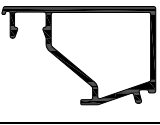
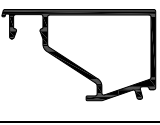
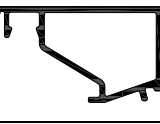
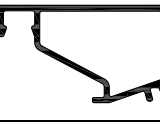

| |  |  |  |  |  |  |
|---|---|---|--|---|---|---|
|  | P-6s-019 | 6500 | Ral Brut | 149.7mm | 43.3mm | p. 39 |
|  | P-6s-021 | 6500 | Ral Brut | 150.3mm | 45.3mm | p. 39 |
|  | P-6s-023 | 6500 | Ral Brut | 159.3mm | 47.3mm | p. 39 |
|  | P-6s-025 | 6500 | Ral Brut | 169.8mm | 47.3mm | p. 39 |
|  | P-6s-027 | 6500 | Ral Brut | 177.8mm | 51.3mm | p. 39 |
|  | P-6s-029 | 6500 | Ral Brut | 178.1mm | 53.3mm | p. 39 |
|  | P-6s-031 | 6500 | Ral Brut | 185.7mm | 55.3mm | p. 39 |
|  | P-6s-033 | 6500 | Ral Brut | 186.1mm | 57.3mm | p. 40 |
|  | P-6s-035 | 6500 | Ral Brut | 193.8mm | 59.3mm | p. 40 |
|  | P-6s-037 | 6500 | Ral Brut | 193.4mm | 61.3mm | p. 40 |
|  | P-6s-039 | 6500 | Ral Brut | 197.7mm | 63.3mm | p. 40 |
|  | P-6s-041 | 6500 | Ral Brut | 201.4mm | 65.3mm | p. 40 |






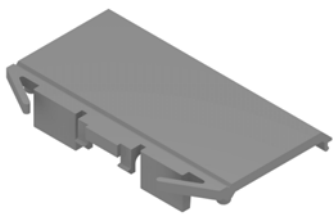

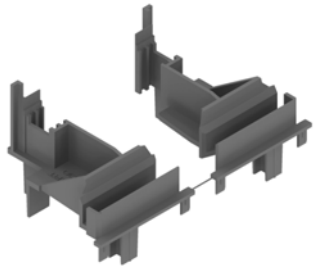








| | P-6s-043 | 6500 | Ral Brut | 205.4mm | 67.3mm | p. 40 |
|--|----------|------|----------|---------|--------|-------|
| | P-6s-045 | 6500 | Ral Brut | 209.6mm | 69.3mm | p. 40 |
| | P-6s-J29 | 6500 | Ral Brut | 195mm | 51.4mm | p. 41 |
| | P-6s-J33 | 6500 | Ral Brut | 203mm | 55.4mm | p. 41 |
| | P-6b-015 | 6500 | Ral Brut | 92.3mm | 39.9mm | p. 42 |
| | P-6b-019 | 6500 | Ral Brut | 95.8mm | 43.9mm | p. 42 |
| | P-6b-021 | 6500 | Ral Brut | 98.1mm | 45.9mm | p. 42 |
| | P-6b-023 | 6500 | Ral Brut | 123.3mm | 47.9mm | p. 42 |
| | P-6b-025 | 6500 | Ral Brut | 124.7mm | 49.9mm | p. 42 |
| | P-6b-027 | 6500 | Ral Brut | 126.7mm | 51.9mm | p. 42 |
| | P-6b-029 | 6500 | Ral Brut | 128.7mm | 53.9mm | p. 43 |
| | P-6b-031 | 6500 | Ral Brut | 131.1mm | 55.9mm | p. 43 |



profielen - profils - profiles

| |  |  |  |  |  |  |
|---|---|---|--|---|---|---|
|  | P-6b-033 | 6500 | Ral Brut | 134.2mm | 57.9mm | p. 43 |
|  | P-6b-035 | 6500 | Ral Brut | 137mm | 59.9mm | p. 43 |
|  | P-6b-037 | 6500 | Ral Brut | 141mm | 61.9mm | p. 43 |
|  | P-6b-039 | 6500 | Ral Brut | 143.8mm | 63.9mm | p. 44 |
|  | P-6b-042 | 6500 | Ral Brut | 149.2mm | 66.9mm | p. 44 |
|  | P-6b-043 | 6500 | Ral Brut | 151mm | 67.9mm | p. 44 |
|  | P-6b-045 | 6500 | Ral Brut | 154.8mm | 69.9mm | p. 44 |
|  | P-6b-048 | 6500 | Ral Brut | 160.5mm | 72.9mm | p. 44 |





| | |  |  |  |
|---|---|--|--|---|
|  <p>A-09-100 Glassteun Support cale de vitrage Glazing support</p> | -ST 100  | ● | P-09-A1.. P-09-A2.. P-09-A3.. | |
|  <p>A-09-200 Stolpeindstuk Embout pour montant central Double-casement component</p> | -ST 10  | ● | P-09-A400 | |
|  <p>A-00-100 Waterkapje Busette Drain hole cover</p> | -ST 100 -ST 2000  | ● ○ RAL 7016M RAL 9001 RAL 9006M RAL 9007M ● | P-09-A1.. P-09-A3..  A-KM-5402 | |
|  <p>A-00-102 Monodrain Blinde ontwatering Monodrain drainage invisible Monodrain Blind drainage</p> | -ST 1  | ● | P-09-A1.. P-09-A2.. | |
|  <p>A-00-105 Verstekhoekje Equerre d'alignement Framing square</p> | -ST 200 -ST 3000  | ● | P-09-A1.. P-09-A2.. | |



| | |  |  |  |
|--|--|---|---|---|
|  <p>A-00-106</p> <p>Koppelstukje T-profiel Pièce de montage pour traverse Component for transom assembly</p> | <p>-ST 100 -ST 2000</p>  | ● | | P-09-A3.. |
|  <p>A-00-111</p> <p>Schroef t-verbinders Vis assemblage-t Screw transom bracket</p> | <p>-ST 40</p>  |  | | A-TV-... A-VT-... A-VH-... |
|  <p>A-00-115</p> <p>Muuranker Fixation murale Wall anchor</p> | <p>-ST 100 -ST 1000</p>  |  | | P-09-A1.. |
|  <p>A-00-117</p> <p>Plaathouder Porteur de plaque Plate-holder</p> <p>IN</p> | <p>-ST 1</p>  | ● | | P-09-A1.. |
|  <p>A-00-700</p> <p>Blindklinknagel Rivet Rivet</p> | <p>-ST 100</p>  |  | | P-00-702 |



| | |  |  |  |
|--|--|---|---|---|
|  <p>A-00-702</p> <p>Eindstuk waterneus Embout pour rejet d'eau Component for cover profile</p> | <p>-ST 10 -ST 100</p>  |   | <p>P-00-702 P-00-208</p> | |
|  <p>A-00-E140</p> <p>Dorpelafsluitstukjes 140mm Pieces lateral seuil 140mm Sealing for windowsill 140mm</p> | <p>-ST 1</p>  |   | <p>P-00-72.</p> | |
|  <p>A-00-E230</p> <p>Dorpelafsluitstukjes 230mm Pieces lateral seuil 230mm Sealing for windowsill 230mm</p> | <p>-ST 1</p>  |   | <p>P-00-72.</p> | |
|  <p>A-00-EC140</p> <p>Dorpelafsluitstukjes 140mm Pieces lateral seuil 140mm Sealing for windowsill 140mm</p> | <p>-ST 1</p>  |   | <p>P-00-72.</p> | |
|  <p>A-00-EC230</p> <p>Dorpelafsluitstukjes 230mm Pieces lateral seuil 230mm Sealing for windowsill 230mm</p> | <p>-ST 1</p>  |   | <p>P-00-72.</p> | |


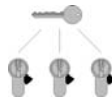

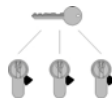





| <p>A-00-K050</p> <p>Koppelstuk raamdorpel P-00-720 Pièce raccord seuil P-00-720 Connector for windowsill P-00-720</p> | -ST 1 | | P-00-720 | |
|--|-----------|------|----------|--|
| <p>A-00-K080</p> <p>Koppelstuk raamdorpel P-00-721 Pièce raccord seuil P-00-721 Connector for windowsill P-00-721</p> | -ST 1 | | P-00-721 | |
| <p>A-00-K110</p> <p>Koppelstuk raamdorpel P-00-722 Pièce raccord seuil P-00-722 Connector for windowsill P-00-722</p> | -ST 1 | | P-00-722 | |
| <p>A-00-K140</p> <p>Koppelstuk raamdorpel P-00-723 Pièce raccord seuil P-00-723 Connector for windowsill P-00-723</p> | -ST 1 | | P-00-723 | |
| <p>A-00-K170</p> <p>Koppelstuk raamdorpel P-00-724 Pièce raccord seuil P-00-724 Connector for windowsill P-00-724</p> | -ST 1 | | P-00-724 | |



| | |  |  |  |
|--|---|--|---|---|
|  <p>A-00-K200 Koppelstuk raamdorpel P-00-725 Pièce raccord seuil P-00-725 Connector for windowsill P-00-725</p> | -ST 1  |   | | P-00-725 |
|  <p>A-00-K230 Koppelstuk raamdorpel P-00-726 Pièce raccord seuil P-00-726 Connector for windowsill P-00-726</p> | -ST 1  |   | | P-00-726 |
|  <p>A-00-CE30 Halve Cilinder 30 Demi-cylindre 30 Half cylinder 30</p> <p>A-00-GE30</p>  | -ST 1  | | | |
|  <p>A-00-CE35 Halve Cilinder 35 Demi-cylindre 35 Half cylinder 35</p> <p>A-00-GE35</p>  | -ST 1  | | | |
|  <p>A-00-CE3070 Cilinder 30/70 Cylindre 30/70 Cilinder 30/70</p> <p>A-00-GE3070</p>  | -ST 1  | | | |

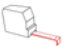


|  <p>A-00-CE3080</p> <p>Cilinder 30/80 Cylindre 30/80 Cilinder 30/80</p> <p>A-00-GE3080</p>  | -ST 1 | | | |
|---|---------|--|--|-------------------------------------|
|  <p>A-00-CE3585</p> <p>Cilinder 35/85 Cylindre 35/85 Cilinder 35/85</p> <p>A-00-GE3585</p>  | -ST 1 | | | |
|  <p>A-00-CV3070</p> <p>Veiligheidscilinder 30/70 Cylindre de sécurité 30/70 Security cilinder 30/70</p> | -ST 1 | | | |
|  <p>A-00-CV3080</p> <p>Veiligheidscilinder 30/80 Cylindre de sécurité 30/80 Security cilinder 30/80</p> | -ST 1 | | | |
|  <p>A-GS-100</p> <p>Beglazingsrubber Joint de vitrage Sealing gasket</p> | -LM 100 | | | P-09-A1.. P-09-A2.. P-09-A3.. |



| | <p>A-GS-111</p> <p>Beglazingsrubber Joint de vitrage Sealing gasket</p> | <p>-LM 75</p> | ● | <p>P-09-A1.. P-09-A2.. P-09-A3..</p> |
|--|---|----------------|---|--|
| | <p>A-GS-115</p> <p>Aanslagdichting Joint de frappe Flipper gasket</p> | <p>-LM 100</p> | ● | <p>P-09-A400</p> |
| | <p>A-GS-131</p> <p>Aanslagdichting ramen Joint de frappe fenêtres Flipper gasket windows</p> | <p>-LM 100</p> | ● | <p>P-09-A2..</p> |
| | <p>A-GS-145</p> <p>Middendichting Joint central Central gasket</p> | <p>-LM 25</p> | ● | <p>P-09-A1.. P-09-A3..</p> |
| | <p>A-GS-146</p> <p>Middendichting Joint central Central gasket</p> | <p>-LM 70</p> | ● | <p>P-09-A1.. P-09-A3..</p> |



| | |  |  |  |
|---|--|---|---|---|
|  | <p>A-GS-303</p> <p>Beglazingsrubber 3mm Joint de vitrage 3mm Sealing gasket 3mm</p> | <p>-LM 100</p>  | ● | <p>P-09-A1.. P-09-A2.. P-09-A3..</p> |
|  | <p>A-GS-304</p> <p>Beglazingsrubber 4mm Joint de vitrage 4mm Sealing gasket 4mm</p> | <p>-LM 100</p>  | ● | <p>P-09-A1.. P-09-A2.. P-09-A3..</p> |
|  | <p>A-GS-305</p> <p>Beglazingsrubber 5mm Joint de vitrage 5mm Sealing gasket 5mm</p> | <p>-LM 100</p>  | ● | <p>P-09-A1.. P-09-A2.. P-09-A3..</p> |
|  | <p>A-GS-306</p> <p>Beglazingsrubber 6mm Joint de vitrage 6mm Sealing gasket 6mm</p> | <p>-LM 100</p>  | ● | <p>P-09-A1.. P-09-A2.. P-09-A3..</p> |
|  | <p>A-GS-308</p> <p>Beglazingsrubber 8mm Joint de vitrage 8mm Sealing gasket 8mm</p> | <p>-LM 100</p>  | ● | <p>P-09-A1.. P-09-A2.. P-09-A3..</p> |



| | <p>A-GS-700</p> <p>Koppelrubber Joint de couplage Coupling gasket</p> | <p>-LM 100</p> | ● | P-09-A1.. |
|--|--|----------------|---|-------------------------------------|
| | <p>A-GS-905</p> <p>Isolatieband bande d'isolation Insulation tape</p> | <p>-LM 100</p> | | P-09-A1.. P-09-A2.. P-09-A3.. |
| | <p>A-GS-906</p> <p>Isolatieband bande d'isolation Insulation tape</p> | <p>-LM 20</p> | | P-09-A1.. |
| | <p>A-PH-1111</p> <p>Pershoek Equerre à sertir Clamping corner</p> | <p>-ST 20</p> | | |
| | <p>A-PH-2118</p> <p>Pershoek Equerre à sertir Clamping corner</p> | <p>-ST 20</p> | | |



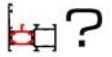
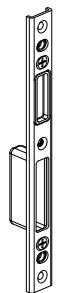


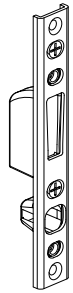


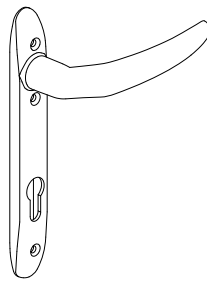


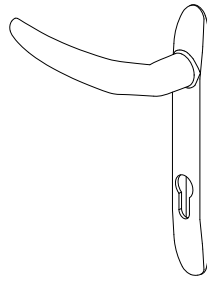


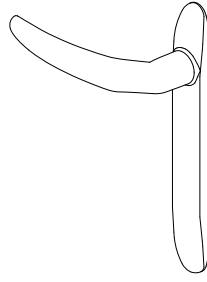




| | |  |  |  |
|--|--|--|---|---|
|  <p>A-PH-3208 Pershoek Equerre à sertir Clamping corner</p> | <p>-ST 20 -ST 100</p>  | |  | |
|  <p>A-PH-3211 Pershoek Equerre à sertir Clamping corner</p> | <p>-ST 20</p>  | |  | |
|  <p>A-PH-4217 Pershoek Equerre à sertir Clamping corner</p> | <p>-ST 20</p>  | |  | |
|  <p>A-PH-4227 Pershoek Equerre à sertir Clamping corner</p> | <p>-ST 20</p>  | |  | |
|  <p>A-TV-101 T-verbinding Attacher traverse Connecting component for transom</p> | <p>-ST 10</p>  | |  | |



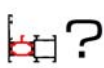



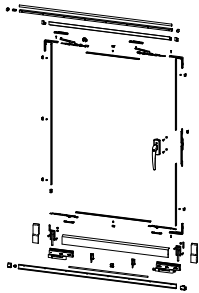


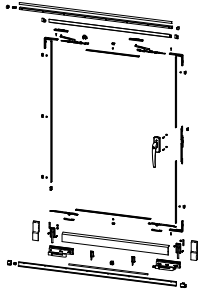


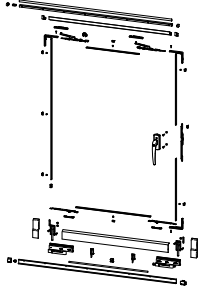


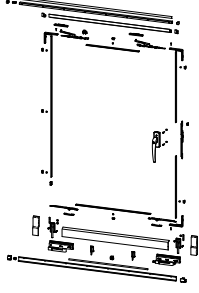




| <p>A-TV-102</p> <p>T-verbinding Attacher traverse Connecting component for transom</p> | -ST 10 | | | |
|---|---------------|--|---------------|--|
| <p>A-TV-151</p> <p>T-verbinding Attacher traverse Connecting component for transom</p> | -ST 10 | | | |
| <p>A-TV-152</p> <p>T-verbinding Attacher traverse Connecting component for transom</p> | -ST 10 | | | |
| <p>A-BS-237</p> <p>5 puntslot met haak en pen Serrure 5-points à crochet et pêne 5 point lock with pen</p> | -ST 1 | | P-03-A206 | |
| <p>A-BS-238</p> <p>5 puntrolslot met haak en rol Serrure 5-points à crochet et rouleau 5 point lock with rol</p> | -ST 1 | | P-03-A206 | |




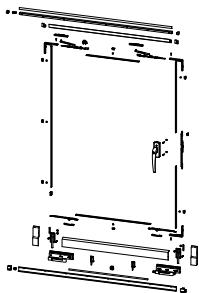


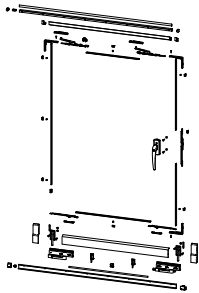


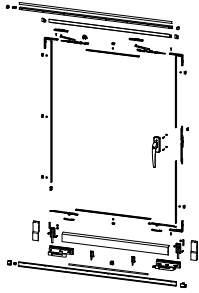


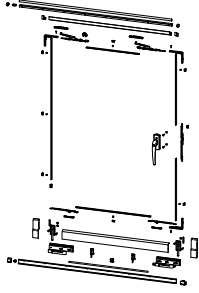


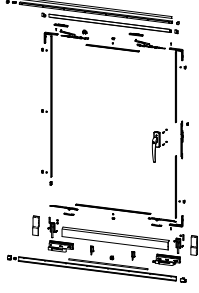




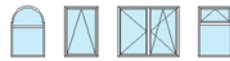
| | |  |  |  |
|---|---|---|---|---|
|  | <p>A-BS-250</p> <p>Slotplaat midden Gache central</p> | -ST 1  |  | |
|  | <p>A-BS-251</p> <p>Slotplaat onder/boven Gache haut/basse</p> | -ST 1  |  | |
|  | <p>A-BS-252</p> <p>Deurkruk binnen met langschild Bequille interieur avec plaque longue</p> | -ST 1  |  | |
|  | <p>A-BS-253</p> <p>Deurkruk buiten met langschild Bequille exterieur avec plaque longue</p> | -ST 1  |  | |
|  | <p>A-BS-264</p> <p>Deurkruk buiten met langschild Bequille exterieur avec plaque longue handle outside with long plate</p> | -ST 1  |  | |




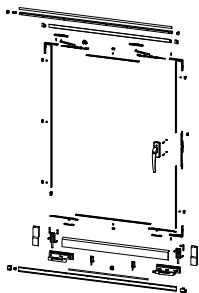


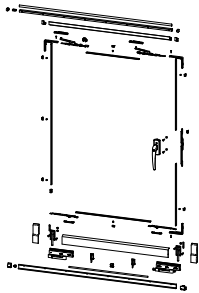


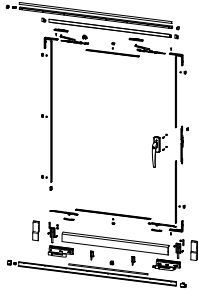




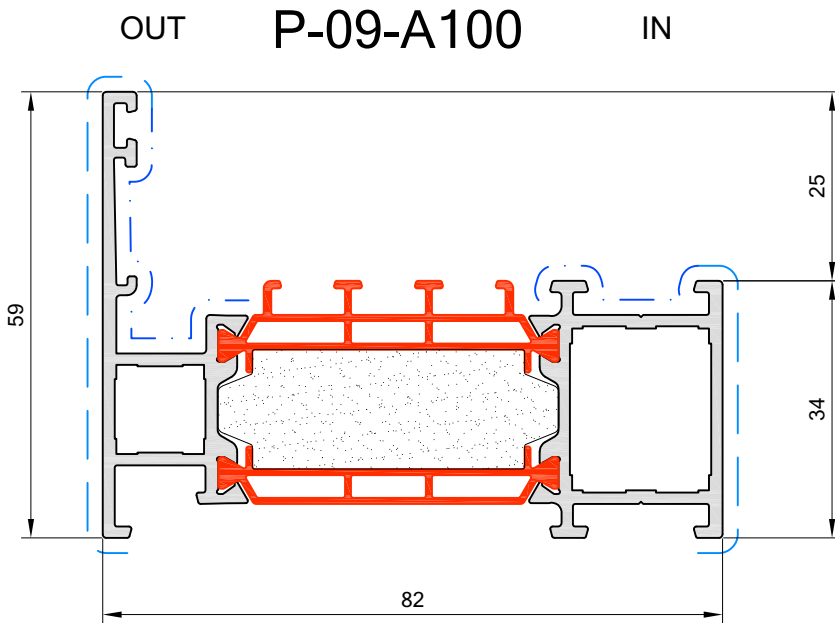
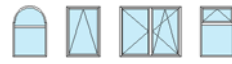
| | |  |  |  |
|--|--|---|---|---|
|  <p>A-BS-268</p> <p>Lange slotplaat-5,5mm Gâche filante 5,5mm Lock plate long 5,5mm</p> <p>2170mm</p> | <p>-ST 1</p>  |  | | |
|  <p>A-BS-300L</p> <p>Basisset kip-schuif links 630-930 Set de base coulissant à translation gauche 630-930 Base kit tilt and slide left 630-930</p> | <p>-ST 1</p>  |  | | |
|  <p>A-BS-300R</p> <p>Basisset kip-schuif rechts 630-930 Set de base coulissant à translation droite 630-930 Base kit tilt and slide right 630-930</p> | <p>-ST 1</p>  |  | | |
|  <p>A-BS-301L</p> <p>Basisset kip-schuif links 931-1080 Set de base coulissant à translation gauche 931-1080 Base kit tilt and slide left 931-1080</p> | <p>-ST 1</p>  |  | | |
|  <p>A-BS-301R</p> <p>Basisset kip-schuif rechts 931-1080 Set de base coulissant à translation droite 931-1080 Base kit tilt and slide right 931-1080</p> | <p>-ST 1</p>  |  | | |


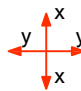


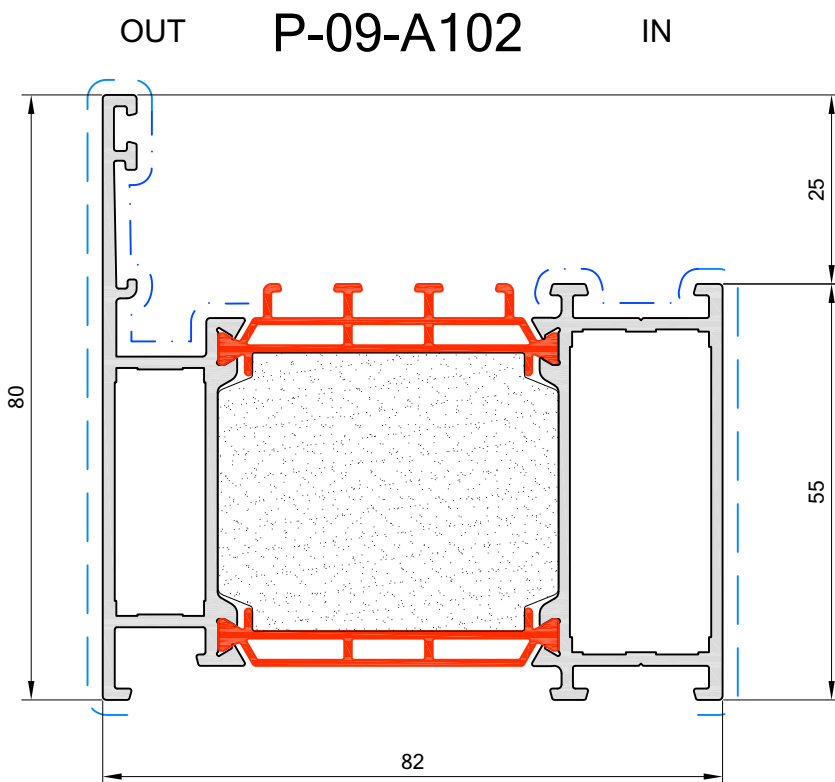
| | |  |  |  |
|---|---|---|---|---|
|  <p>A-BS-302L</p> <p>Basisset kip-schuif links 1081-1280 Set de base coulissant à translation gauche 1081-1280 Base kit tilt and slide left 1081-1280</p> | -ST 1  |  | | |
|  <p>A-BS-302R</p> <p>Basisset kip-schuif rechts 1081-1280 Set de base coulissant à translation droite 1081-1280 Base kit tilt and slide right 1081-1280</p> | -ST 1  |  | | |
|  <p>A-BS-303L</p> <p>Basisset kip-schuif links 1281-1480 Set de base coulissant à translation gauche 1281-1480 Base kit tilt and slide left 1281-1480</p> | -ST 1  |  | | |
|  <p>A-BS-303R</p> <p>Basisset kip-schuif rechts 1281-1480 Set de base coulissant à translation droite 1281-1480 Base kit tilt and slide right 1281-1480</p> | -ST 1  |  | | |
|  <p>A-BS-304L</p> <p>Basisset kip-schuif links 1481-1680 Set de base coulissant à translation gauche 1481-1680 Base kit tilt and slide left 1481-1680</p> | -ST 1  |  | | |

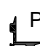
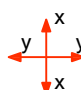


| | |  |  |  |
|---|---|---|---|---|
|  <p>A-BS-304R</p> <p>Basisset kip-schuif rechts 1481-1680 Set de base coulissant à translation droite 1481-1680 Base kit tilt and slide right 1481-1680</p> | <p>-ST 1</p>  |  | | |
|  <p>A-BS-305L</p> <p>Basisset kip-schuif links 1681-1880 Set de base coulissant à translation gauche 1681-1880 Base kit tilt and slide left 1681-1880</p> | <p>-ST 1</p>  |  | | |
|  <p>A-BS-305R</p> <p>Basisset kip-schuif rechts 1681-1880 Set de base coulissant à translation droite 1681-1880 Base kit tilt and slide right 1681-1880</p> | <p>-ST 1</p>  |  | | |



| | OUT | IN |
|---|--------------------------|-------------------------|
|  P | A-PH-1111 | A-PH-2118 |
|  | $I_x = 45.54\text{cm}^4$ | $I_y = 8.63\text{cm}^4$ |
| | $W_x = 10.09\text{cm}^3$ | $W_y = 2.26\text{cm}^3$ |



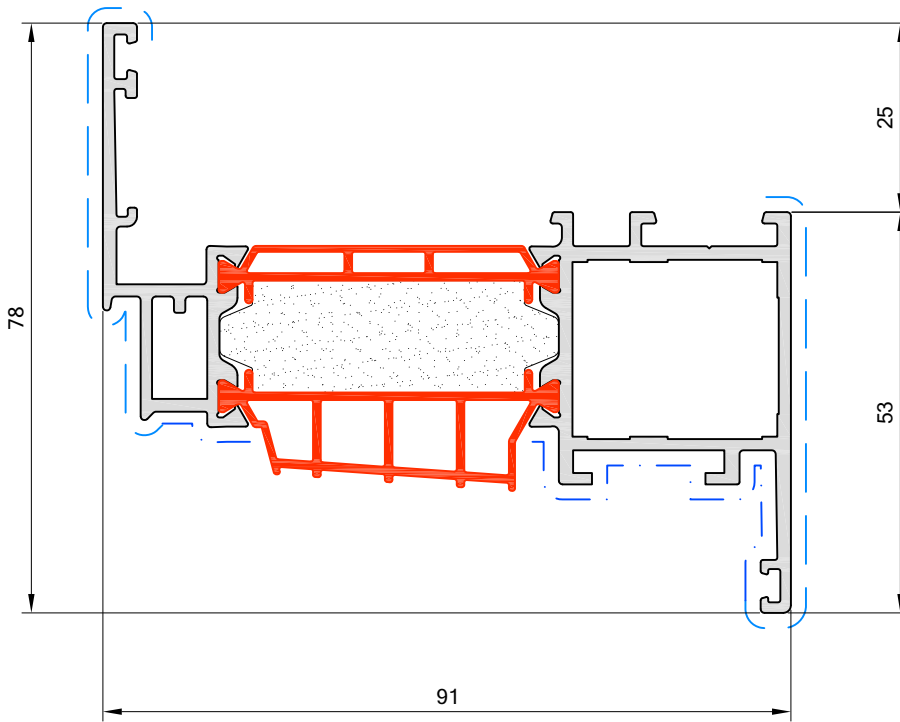
| | OUT | IN |
|---|--------------------------|--------------------------|
|  P | A-PH-3211 | A-PH-4217 |
|  | $I_x = 59.63\text{cm}^4$ | $I_y = 24.34\text{cm}^4$ |
| | $W_x = 13.32\text{cm}^3$ | $W_y = 5.01\text{cm}^3$ |

prof1



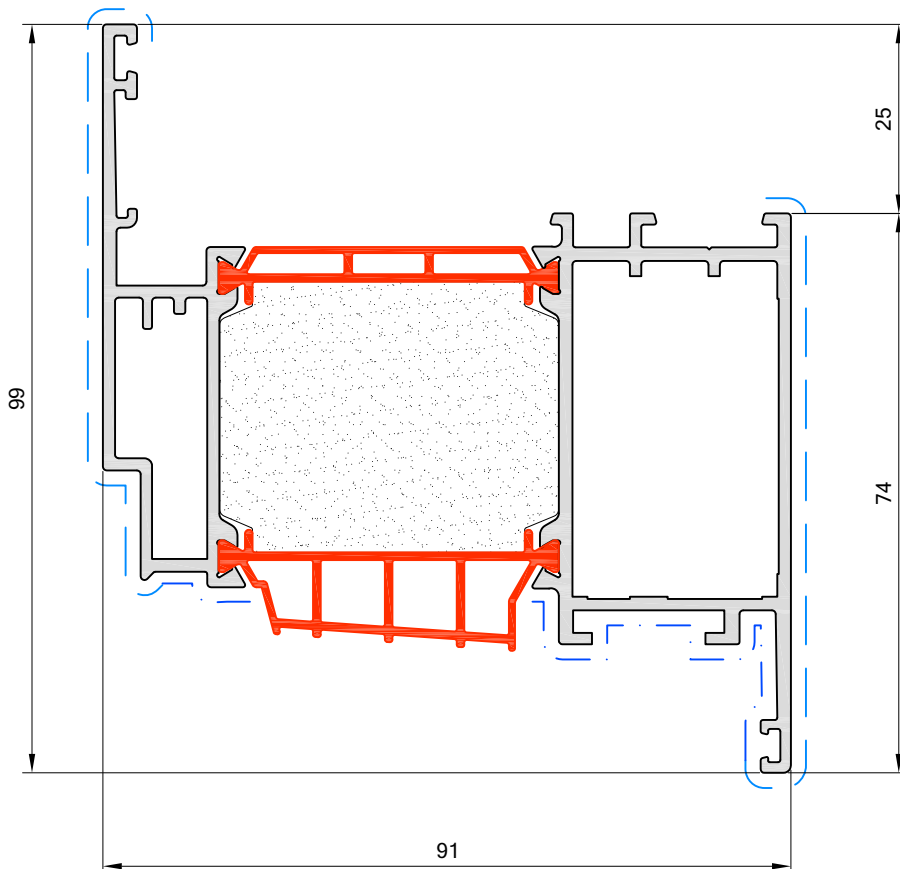
profielen - profils - profiles

OUT P-09-A210 IN



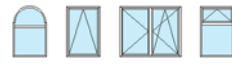
| | OUT | IN |
|--|--|-----------|
| | A-PH-1108 | A-PH-2327 |
| | $I_x = 62.82\text{cm}^4$ $I_y = 13.2\text{cm}^4$ $W_x = 12.78\text{cm}^3$ $W_y = 3.26\text{cm}^3$ | |

OUT P-09-A212 IN

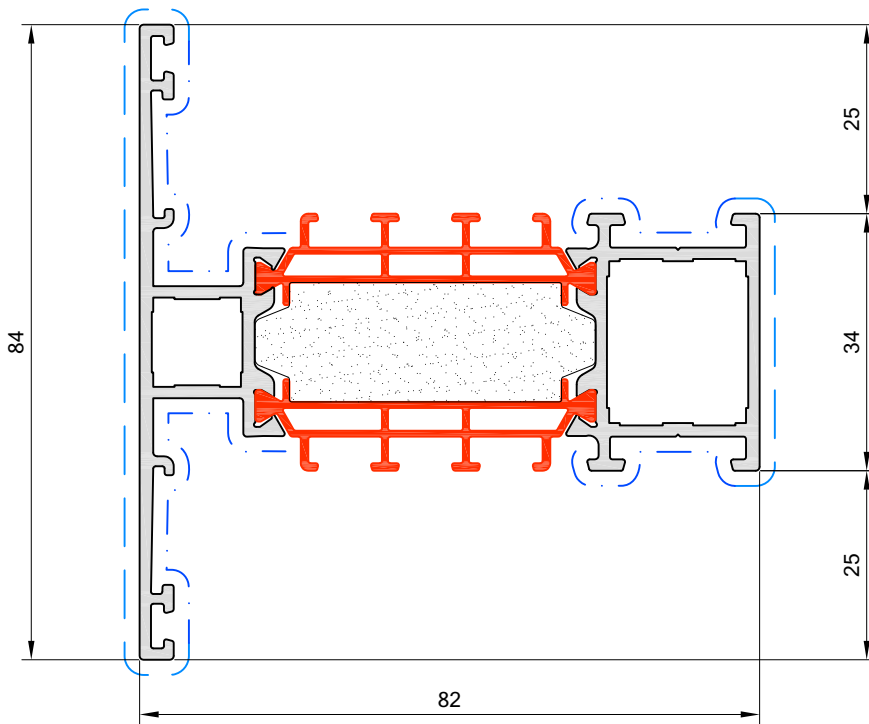


| | OUT | IN |
|--|---|-----------|
| | A-PH-3208 | A-PH-4227 |
| | $I_x = 83.09\text{cm}^4$ $I_y = 33.77\text{cm}^4$ $W_x = 17.62\text{cm}^3$ $W_y = 6.68\text{cm}^3$ | |

prof2

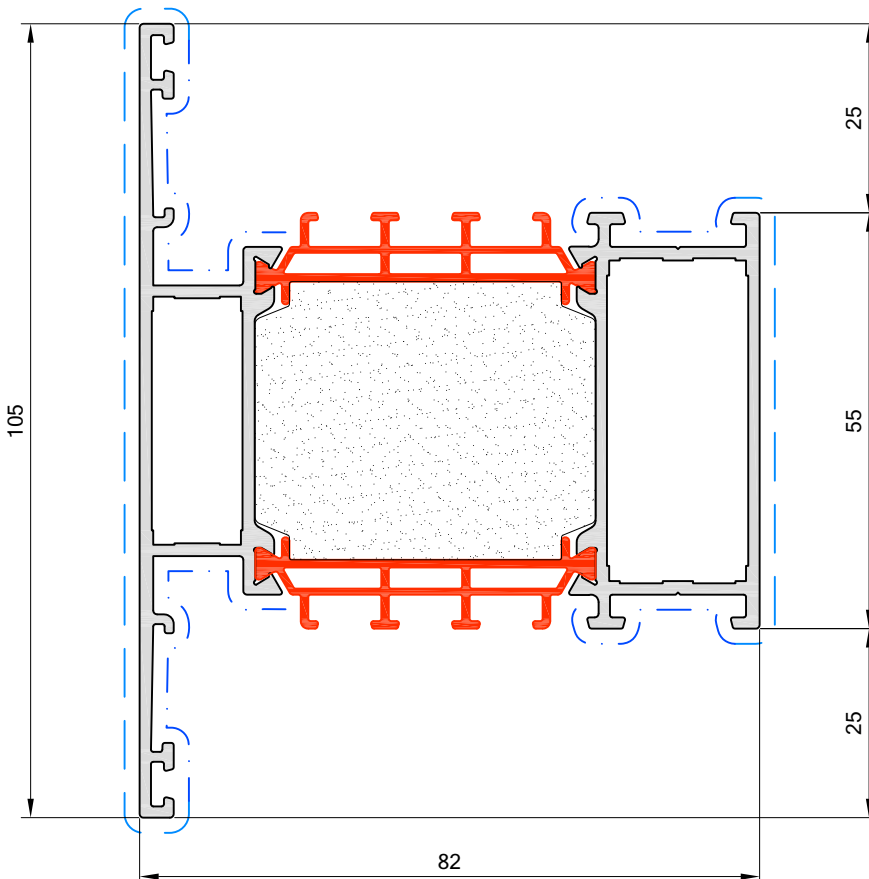


OUT P-09-A300 IN



| | OUT | IN |
|-------|--------------------------|--------------------------|
| R^T | A-TV-151 | A-TV-101 |
| | $I_x = 51.71\text{cm}^4$ | $I_y = 14.68\text{cm}^4$ |
| | $W_x = 10.54\text{cm}^3$ | $W_y = 3.5\text{cm}^3$ |

OUT P-09-A302 IN

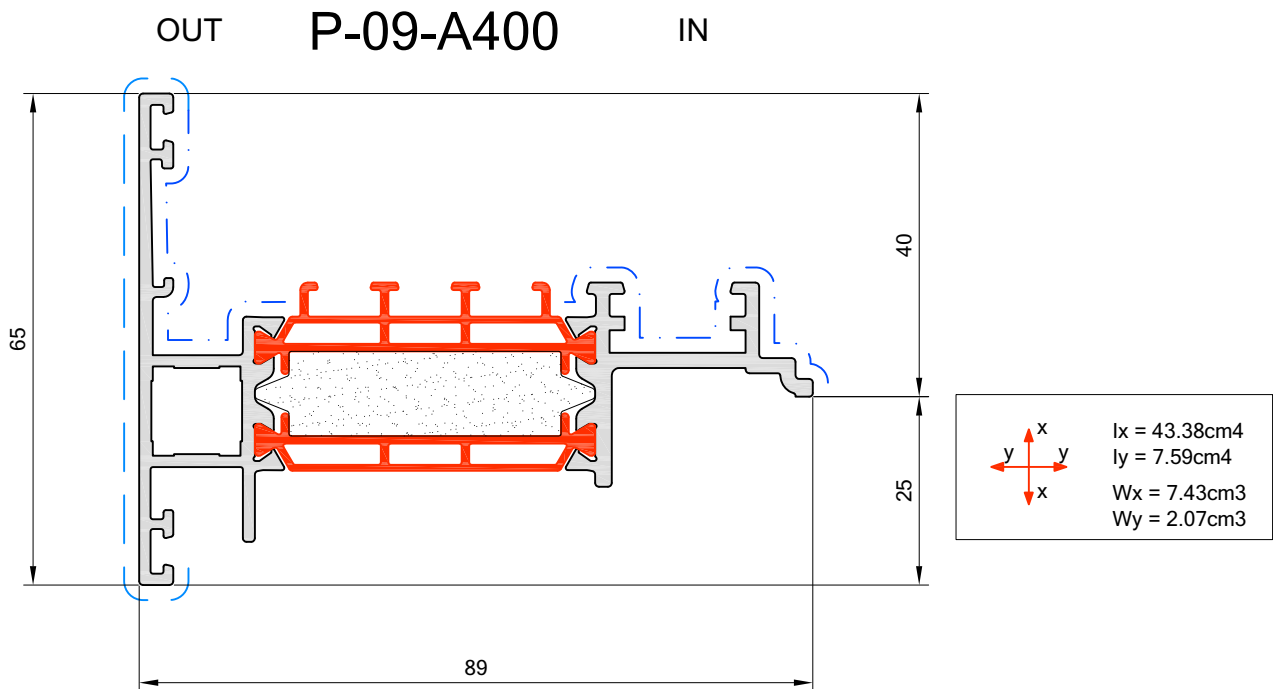


| | OUT | IN |
|-------|--------------------------|--------------------------|
| R^T | A-TV-152 | A-TV-102 |
| | $I_x = 66.07\text{cm}^4$ | $I_y = 34.74\text{cm}^4$ |
| | $W_x = 13.78\text{cm}^3$ | $W_y = 6.62\text{cm}^3$ |

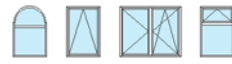
prof3



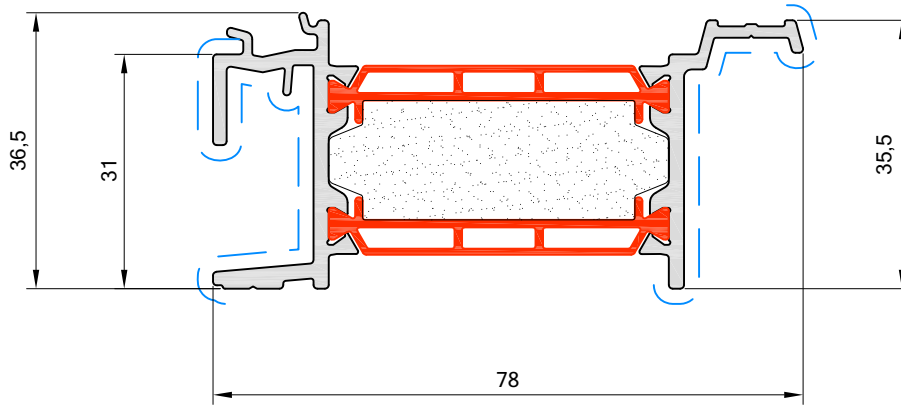
profielen - profils - profiles



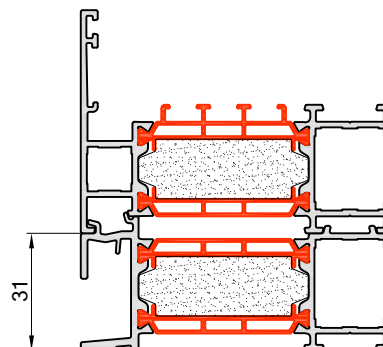
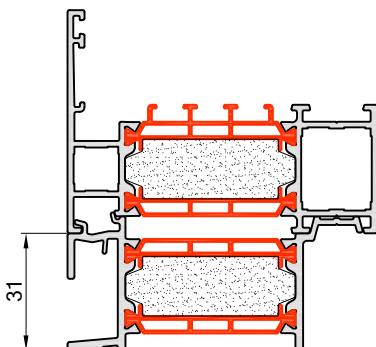
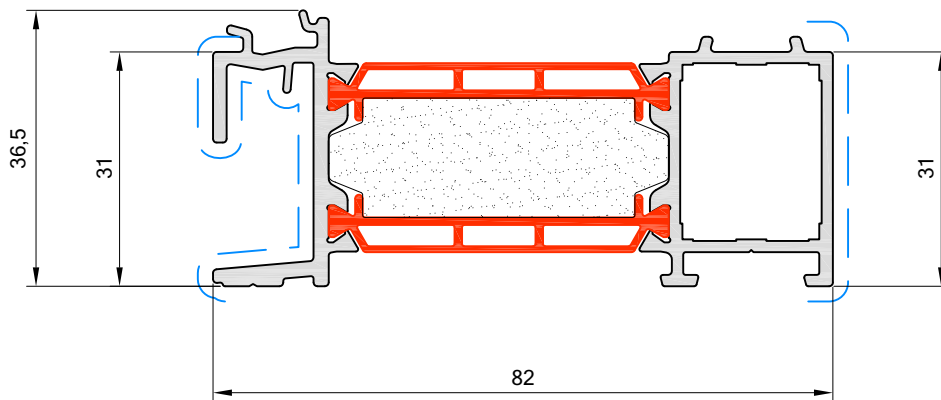
prof4



OUT P-09-A720 IN



OUT P-09-A721 IN



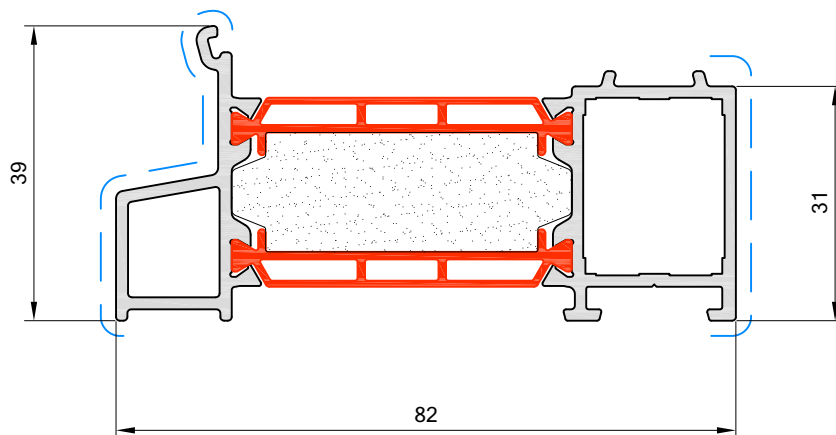
prof5



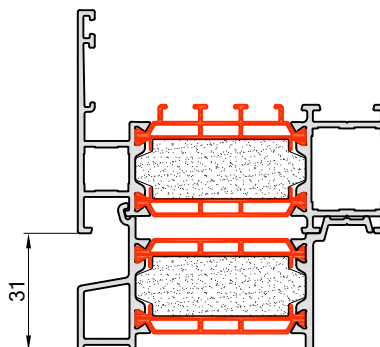
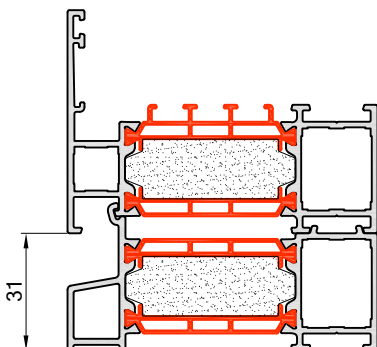
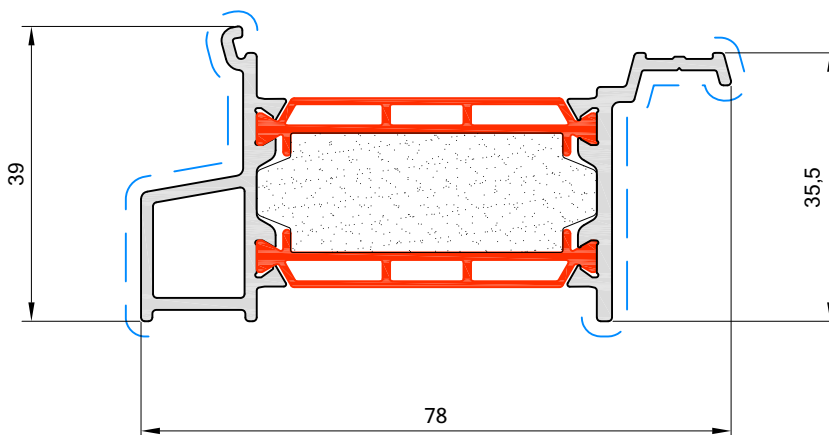
profielen - profils - profiles

Olympia 09

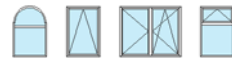
OUT P-09-A723 IN



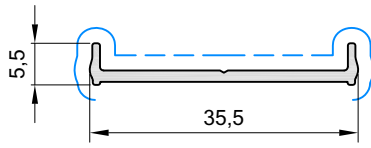
OUT P-09-A725 IN



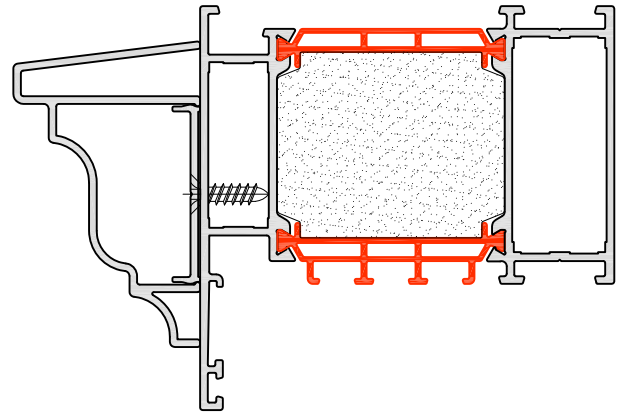
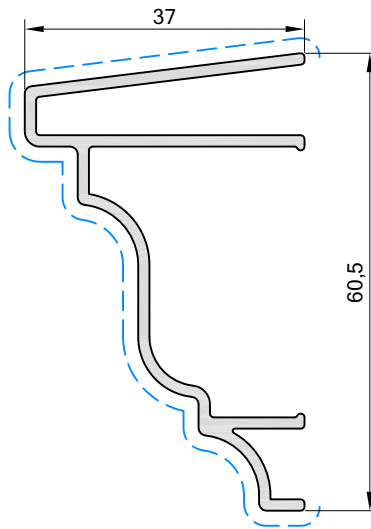
prof6



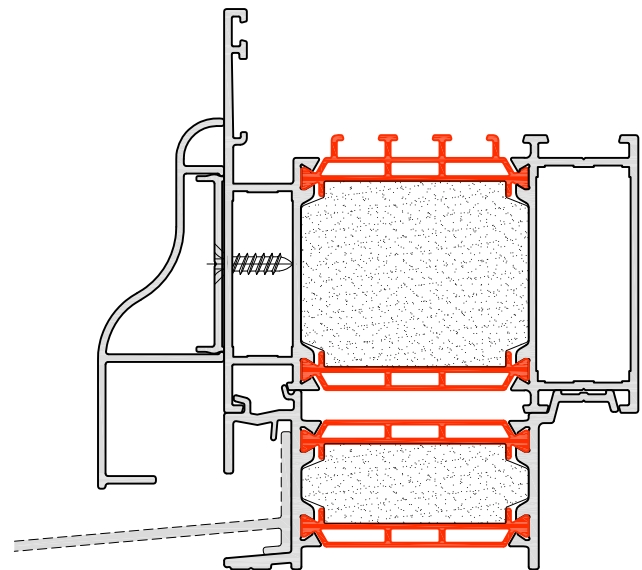
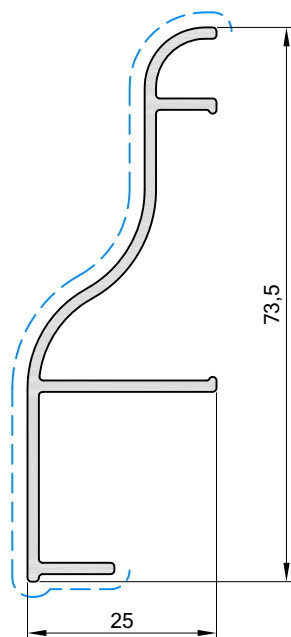
P-00-300



P-00-302



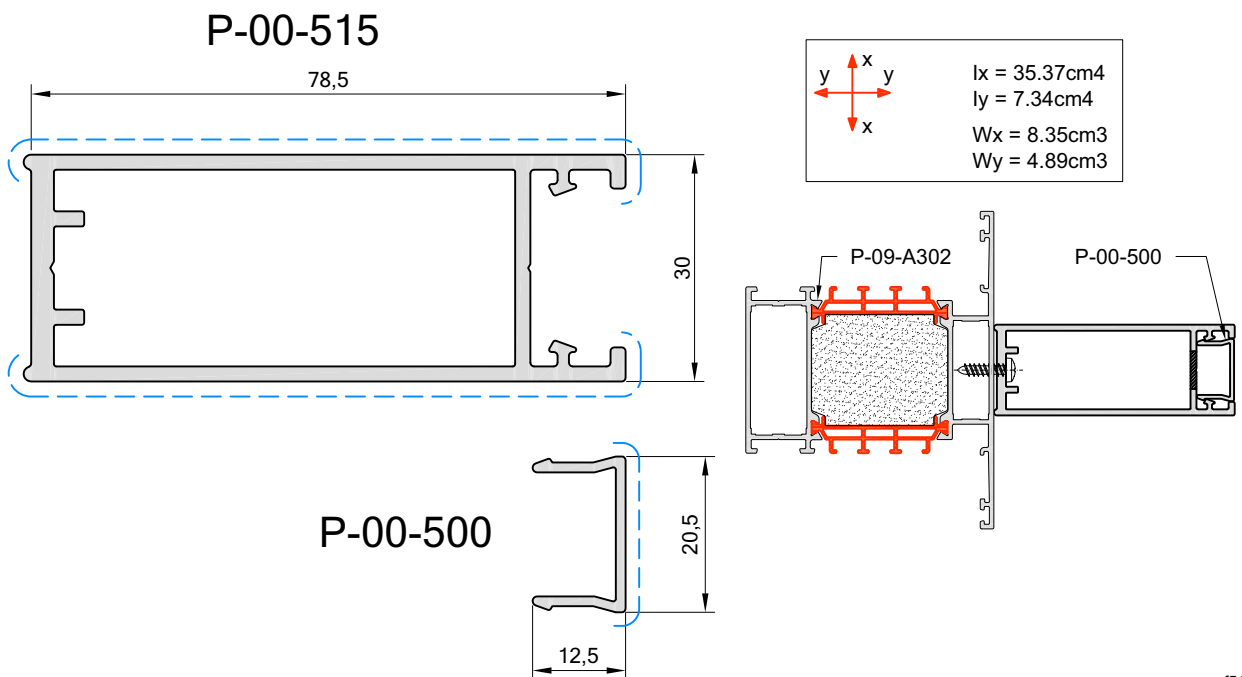
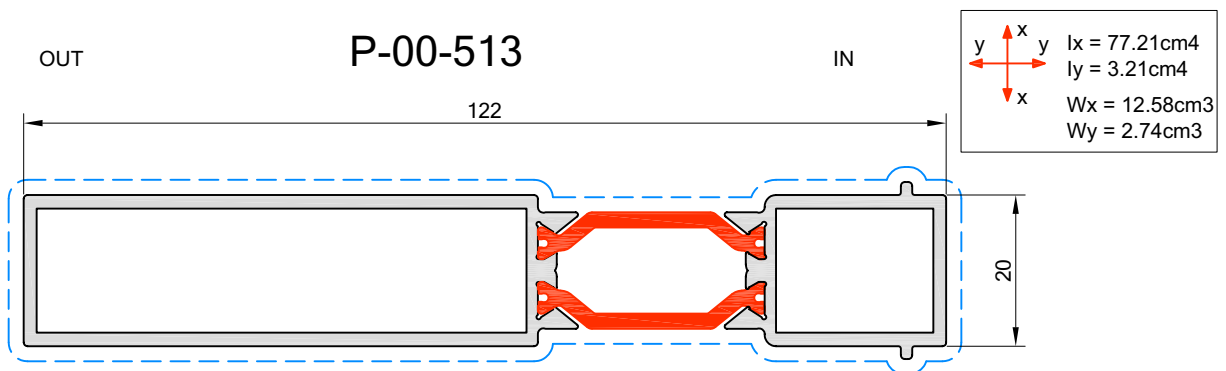
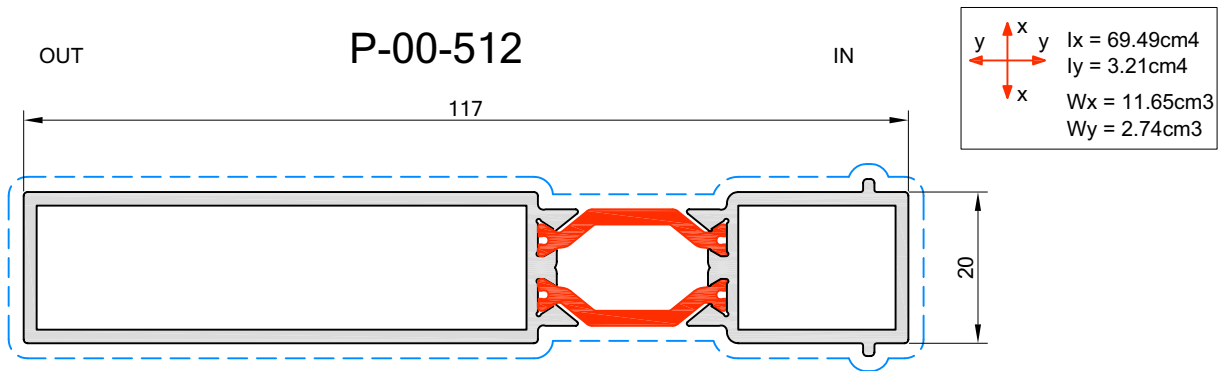
P-00-303



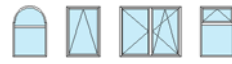
prof50



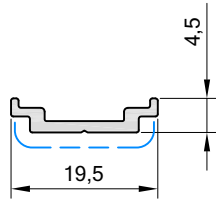
profielen - profils - profiles



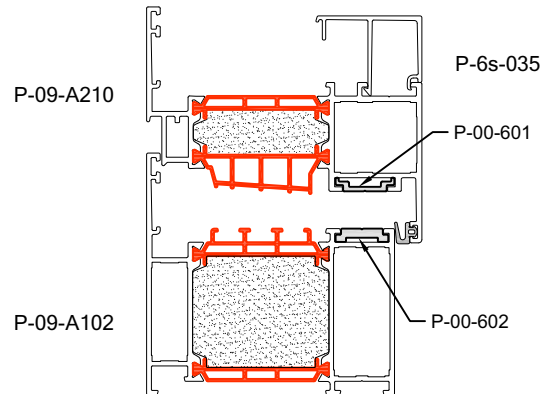
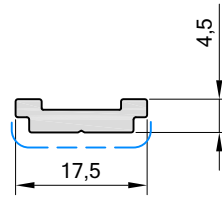
prof51



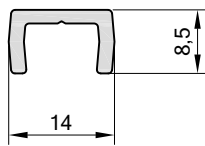
P-00-601



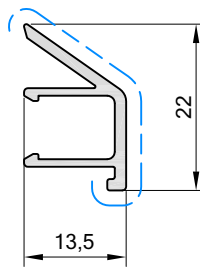
P-00-602



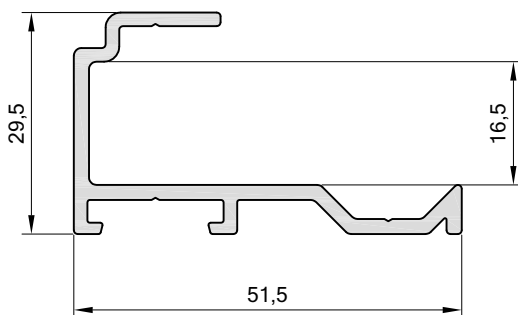
P-00-700



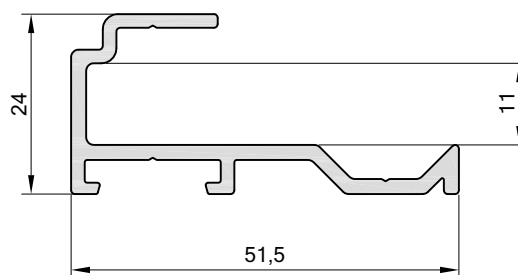
P-00-702



P-00-710



P-00-711

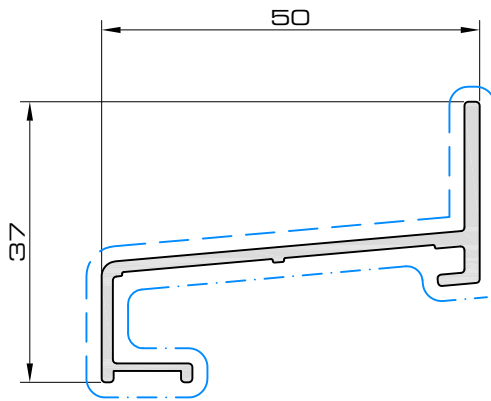


prof52

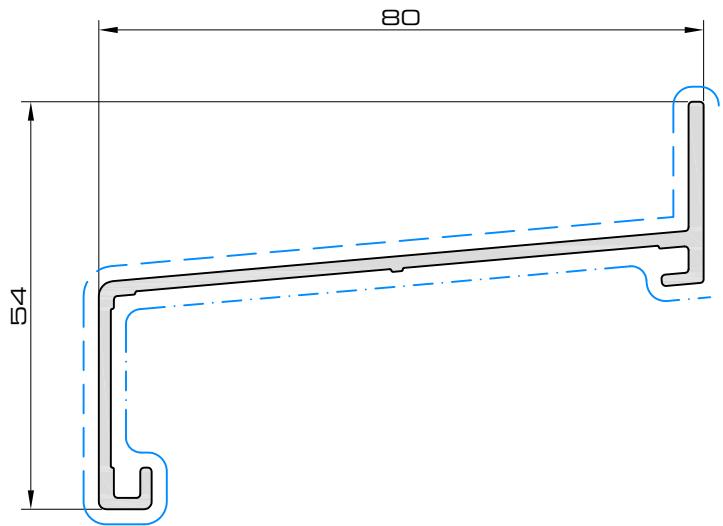


profielen - profils - profiles

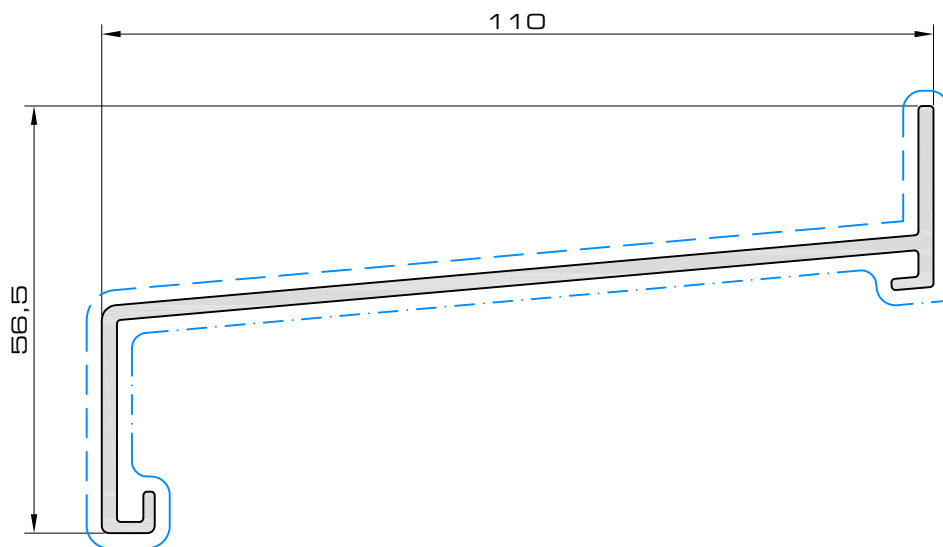
P-00-720



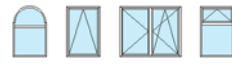
P-00-721



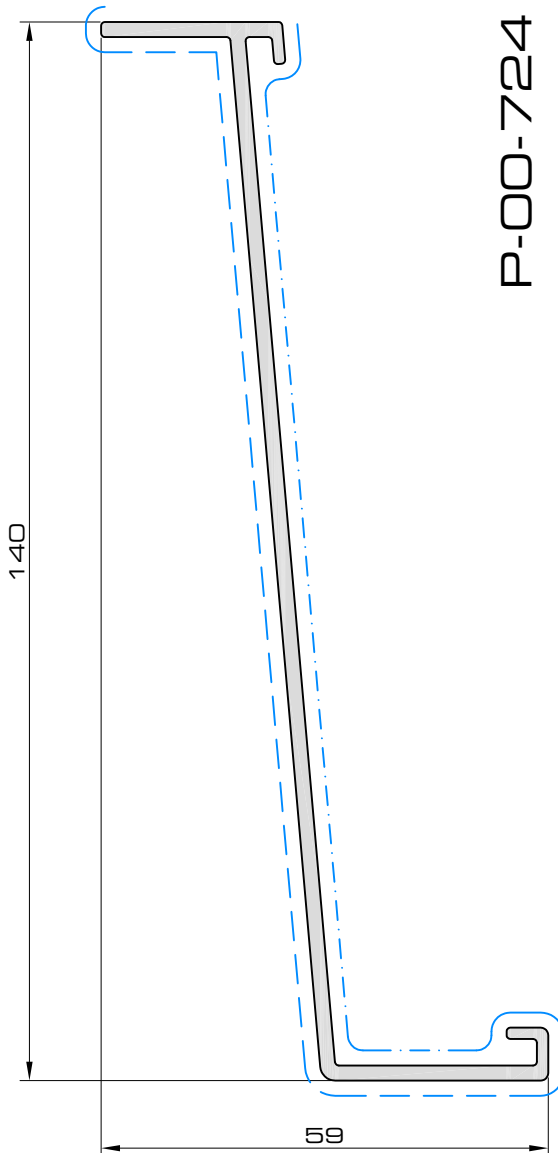
P-00-722



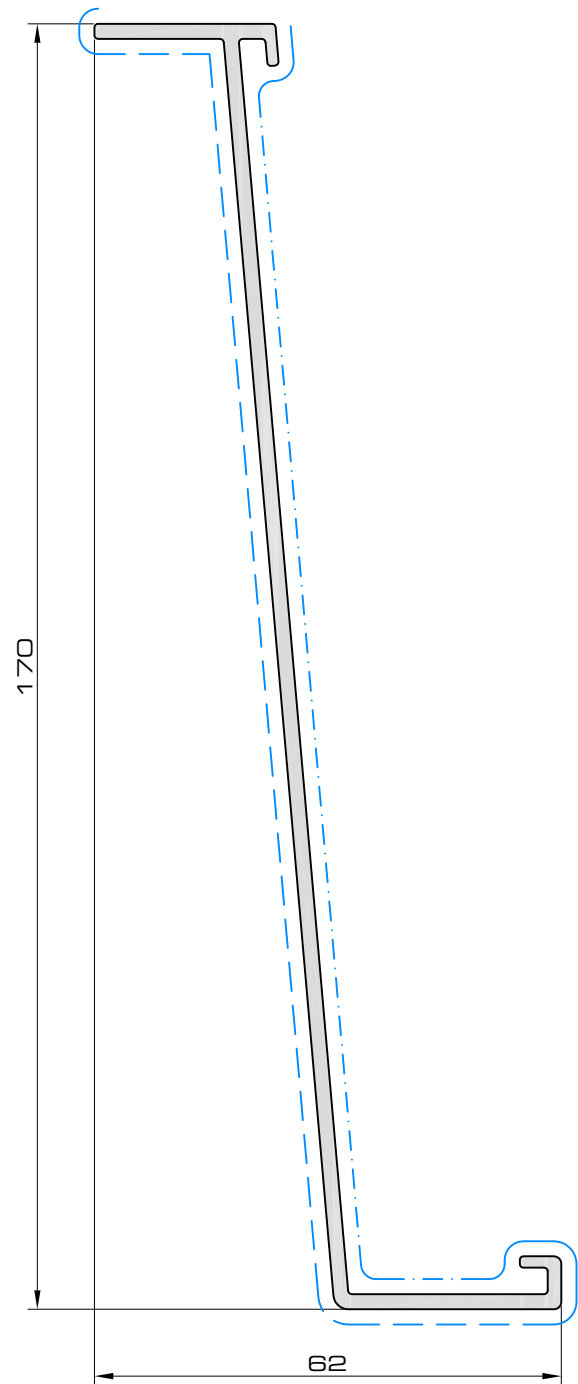
prof8



P-00-723



P-00-724

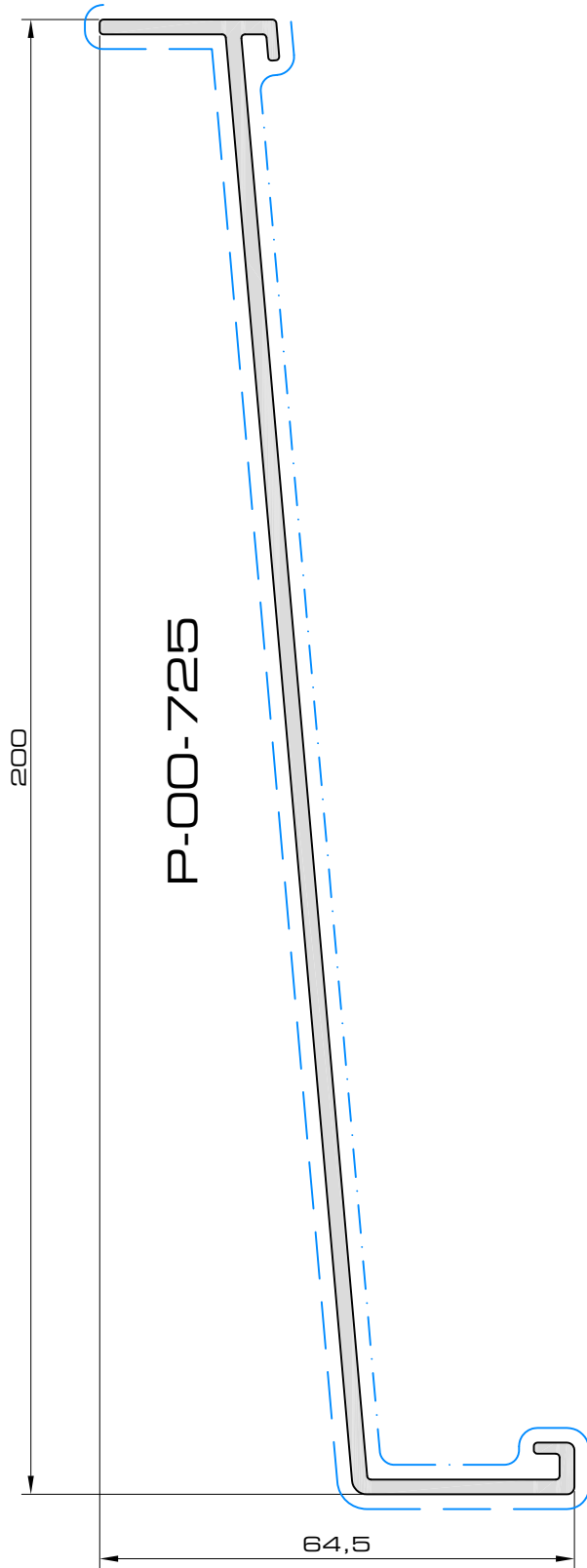


prof9

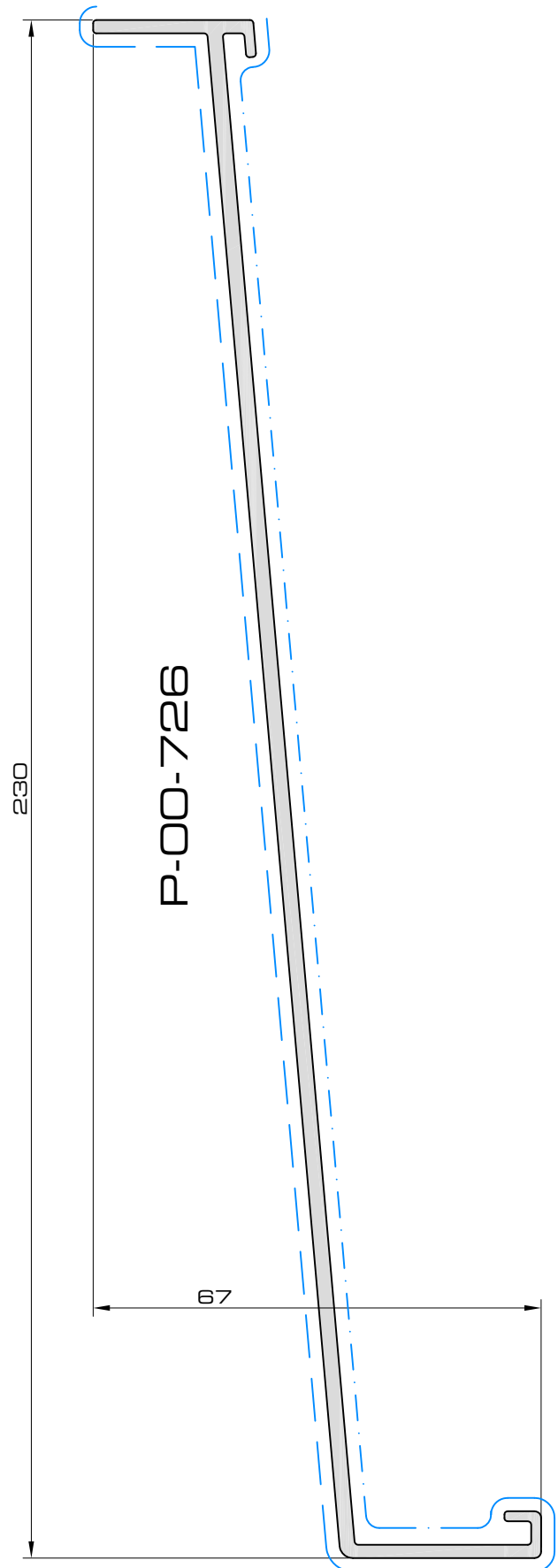


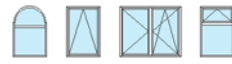
profielen - profils - profiles

Olympia 09

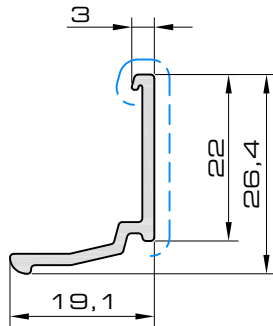


prof10

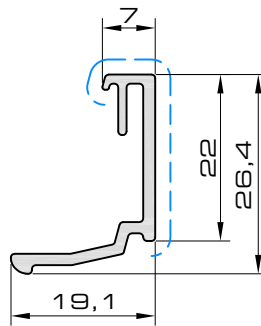




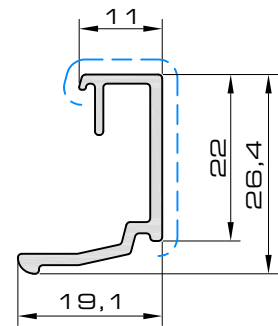
P-6s-003



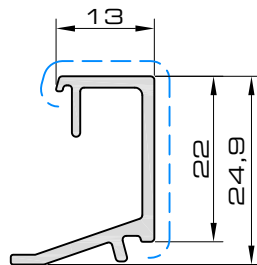
P-6s-007



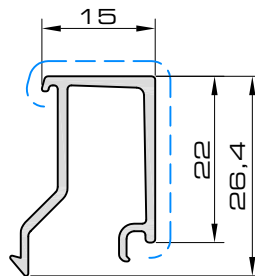
P-6s-011



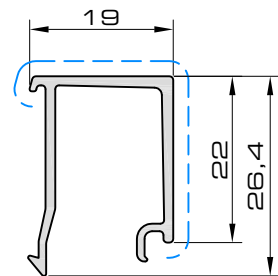
P-6s-013



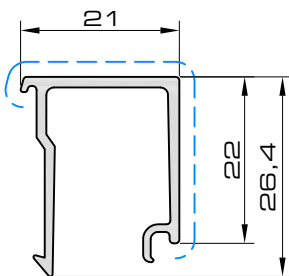
P-6s-015



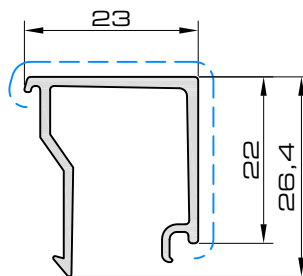
P-6s-019



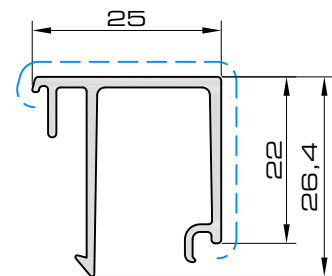
P-6s-021



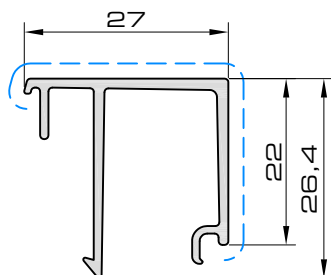
P-6s-023



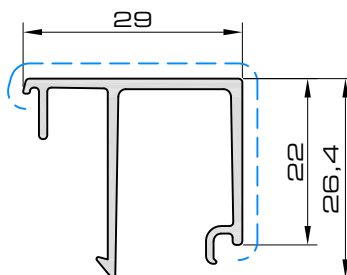
P-6s-025



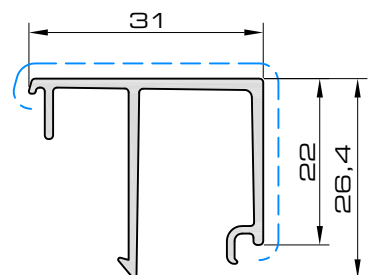
P-6s-027



P-6s-029



P-6s-031

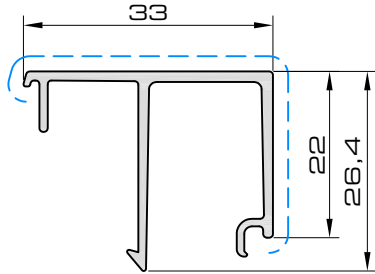




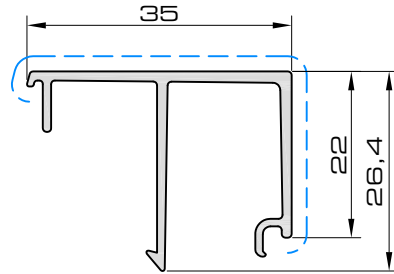
profielen - profils - profiles

Olympia 09

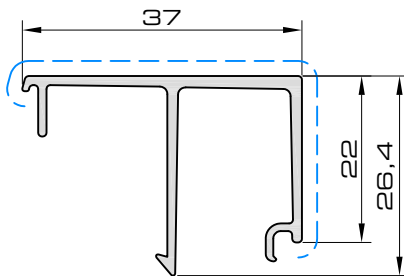
P-6s-033



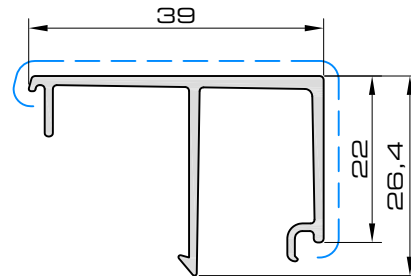
P-6s-035



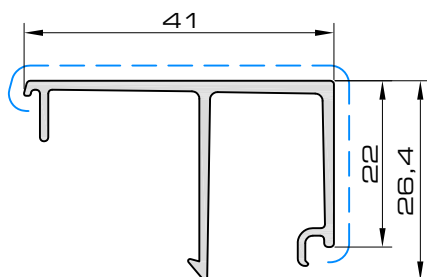
P-6s-037



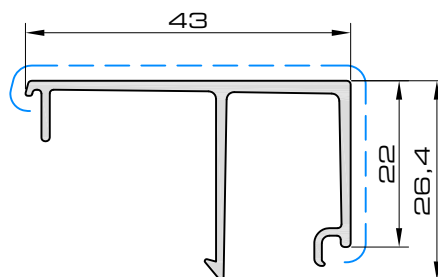
P-6s-039



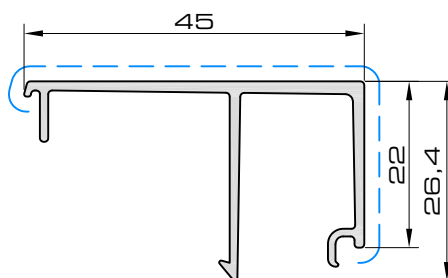
P-6s-041

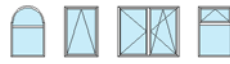


P-6s-043

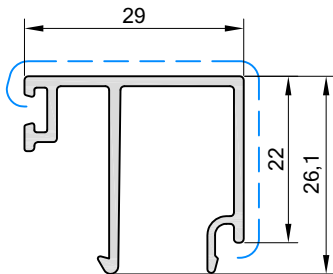


P-6s-045

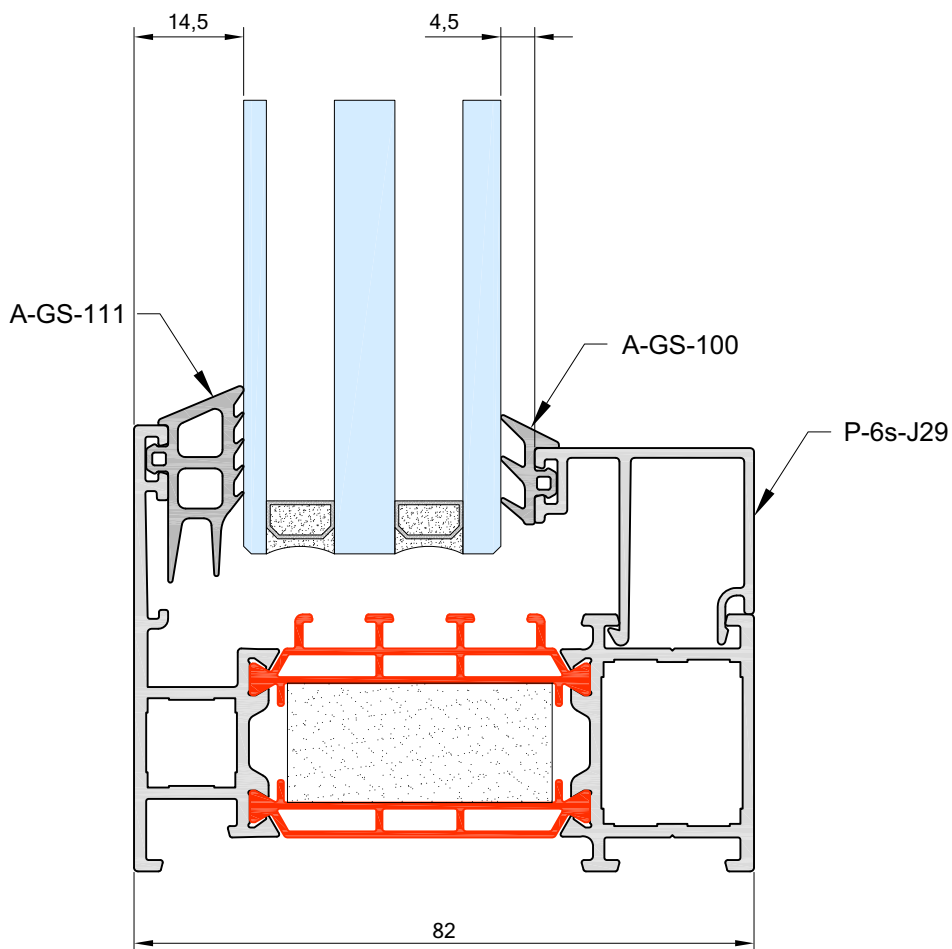
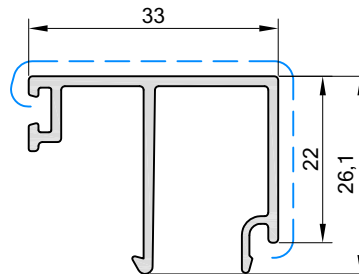




P-6s-J29



P-6s-J33

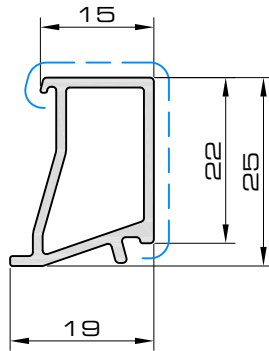




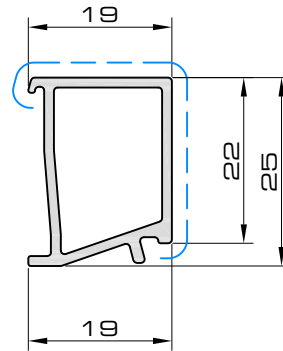
profielen - profils - profiles

Olympia 09

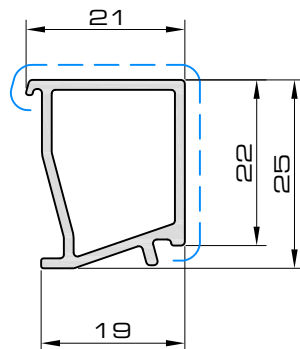
P-6b-015



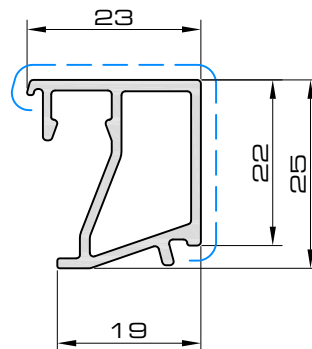
P-6b-019



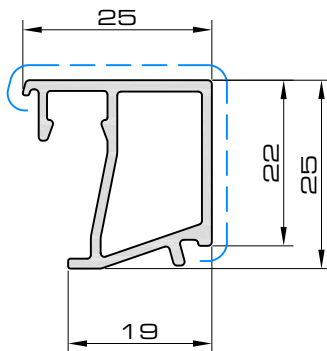
P-6b-021



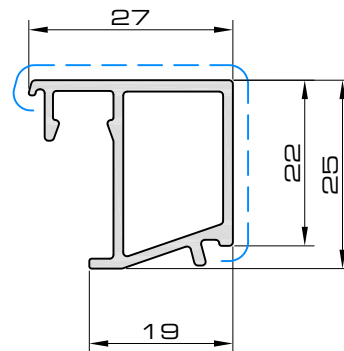
P-6b-023

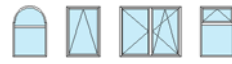


P-6b-025

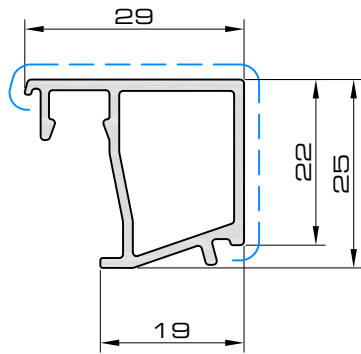


P-6b-027

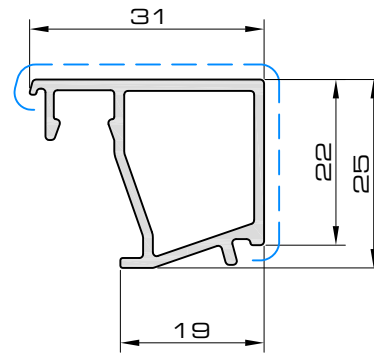




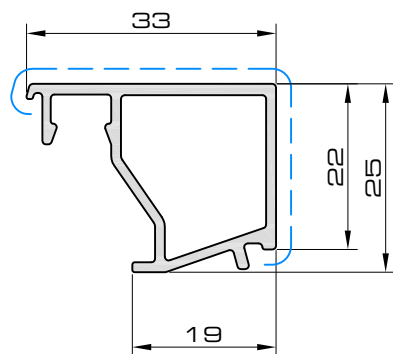
P-6b-029



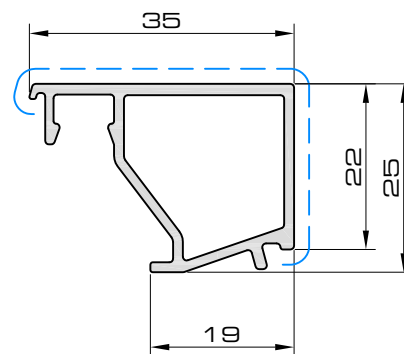
P-6b-031



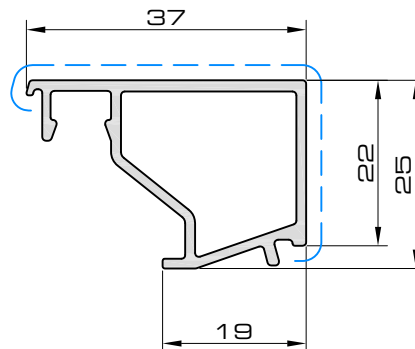
P-6b-033

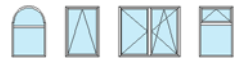


P-6b-035



P-6b-037

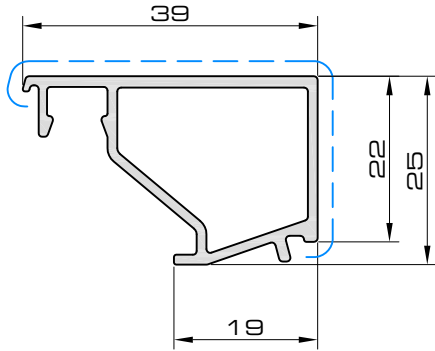




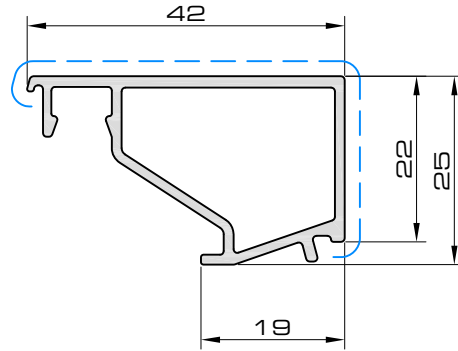
profielen - profils - profiles

Olympia 09

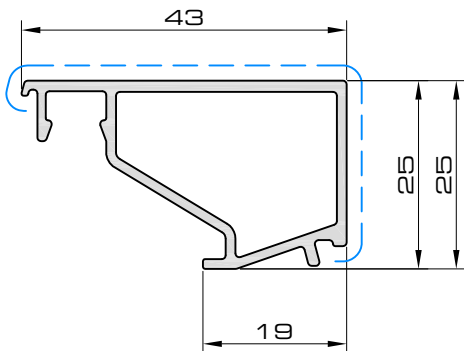
P-6b-039



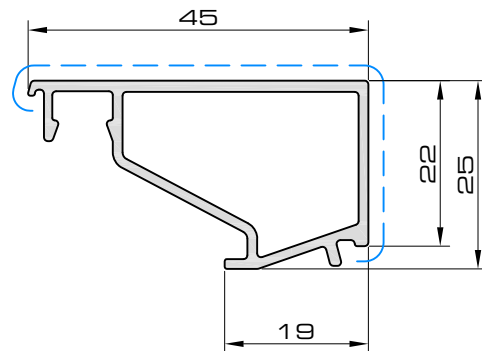
P-6b-042



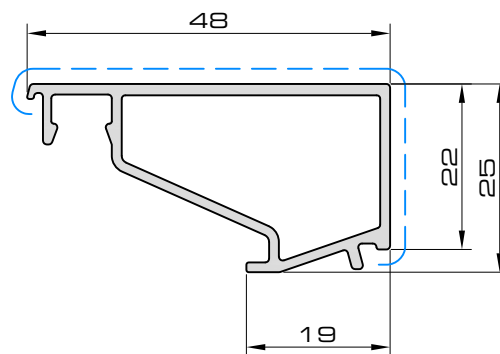
P-6b-043

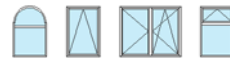







P-6b-045



P-6b-048



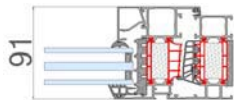







|  |  of / ou / or  |  |  | |
|---|--|--|---|----------|
| 13 | | P-6b-048 | A-GS-306 | A-GS-111 |
| 14 | | P-6b-048 | A-GS-305 | A-GS-111 |
| 15 | | P-6b-048 | A-GS-304 | A-GS-111 |
| 16 | P-6s-045 | P-6b-045 | A-GS-306 | A-GS-111 |
| 17 | P-6s-045 | P-6b-045 | A-GS-305 | A-GS-111 |
| 18 | P-6s-045 | P-6b-045 | A-GS-304 | A-GS-111 |
| 19 | | P-6b-042 | A-GS-306 | A-GS-111 |
| | P-6s-043 | P-6b-043 | A-GS-305 | A-GS-111 |
| 20 | | P-6b-042 | A-GS-305 | A-GS-111 |
| | P-6s-043 | P-6b-043 | A-GS-304 | A-GS-111 |
| 21 | | P-6b-042 | A-GS-304 | A-GS-111 |
| 22 | P-6s-039 | P-6b-039 | A-GS-306 | A-GS-111 |
| 23 | P-6s-039 | P-6b-039 | A-GS-305 | A-GS-111 |
| 24 | P-6s-039 | P-6b-039 | A-GS-304 | A-GS-111 |
| 25 | P-6s-037 | P-6b-037 | A-GS-305 | A-GS-111 |
| 26 | P-6s-037 | P-6b-037 | A-GS-304 | A-GS-111 |
| 27 | P-6s-035 | P-6b-035 | A-GS-305 | A-GS-111 |
| 28 | P-6s-035 | P-6b-035 | A-GS-304 | A-GS-111 |
| 29 | P-6s-033 | P-6b-033 | A-GS-305 | A-GS-111 |
| 30 | P-6s-033 | P-6b-033 | A-GS-304 | A-GS-111 |
| 31 | P-6s-031 | P-6b-031 | A-GS-305 | A-GS-111 |
| 32 | P-6s-031 | P-6b-031 | A-GS-304 | A-GS-111 |
| 33 | P-6s-029 | P-6b-029 | A-GS-305 | A-GS-111 |
| 34 | P-6s-029 | P-6b-029 | A-GS-304 | A-GS-111 |
| 35 | P-6s-027 | P-6b-027 | A-GS-305 | A-GS-111 |
| 36 | P-6s-027 | P-6b-027 | A-GS-304 | A-GS-111 |
| 37 | P-6s-025 | P-6b-025 | A-GS-305 | A-GS-111 |
| 38 | P-6s-025 | P-6b-025 | A-GS-304 | A-GS-111 |
| 39 | P-6s-023 | P-6b-023 | A-GS-305 | A-GS-111 |
| 40 | P-6s-023 | P-6b-023 | A-GS-304 | A-GS-111 |
| 41 | P-6s-021 | P-6b-021 | A-GS-305 | A-GS-111 |
| 42 | P-6s-021 | P-6b-021 | A-GS-304 | A-GS-111 |
| 43 | P-6s-019 | P-6b-019 | A-GS-305 | A-GS-111 |
| 44 | P-6s-019 | P-6b-019 | A-GS-304 | A-GS-111 |
| 45 | P-6s-015 | P-6b-015 | A-GS-308 | A-GS-111 |
| 46 | P-6s-015 | P-6b-015 | A-GS-306 | A-GS-111 |
| 47 | P-6s-015 | P-6b-015 | A-GS-305 | A-GS-111 |
| 48 | P-6s-015 | P-6b-015 | A-GS-304 | A-GS-111 |
| 49 | P-6s-013 | | A-GS-305 | A-GS-111 |
| 50 | P-6s-011 | | A-GS-306 | A-GS-111 |
| 51 | P-6s-011 | | A-GS-305 | A-GS-111 |
| 52 | P-6s-011 | | A-GS-304 | A-GS-111 |
| 53 | P-6s-007 | | A-GS-308 | A-GS-111 |
| 54 | P-6s-007 | | A-GS-306 | A-GS-111 |
| 55 | P-6s-007 | | A-GS-305 | A-GS-111 |
| 56 | P-6s-007 | | A-GS-304 | A-GS-111 |
| 57 | P-6s-003 | | A-GS-308 | A-GS-111 |
| 58 | P-6s-003 | | A-GS-306 | A-GS-111 |
| 59 | P-6s-003 | | A-GS-305 | A-GS-111 |
| 60 | P-6s-003 | | A-GS-304 | A-GS-111 |

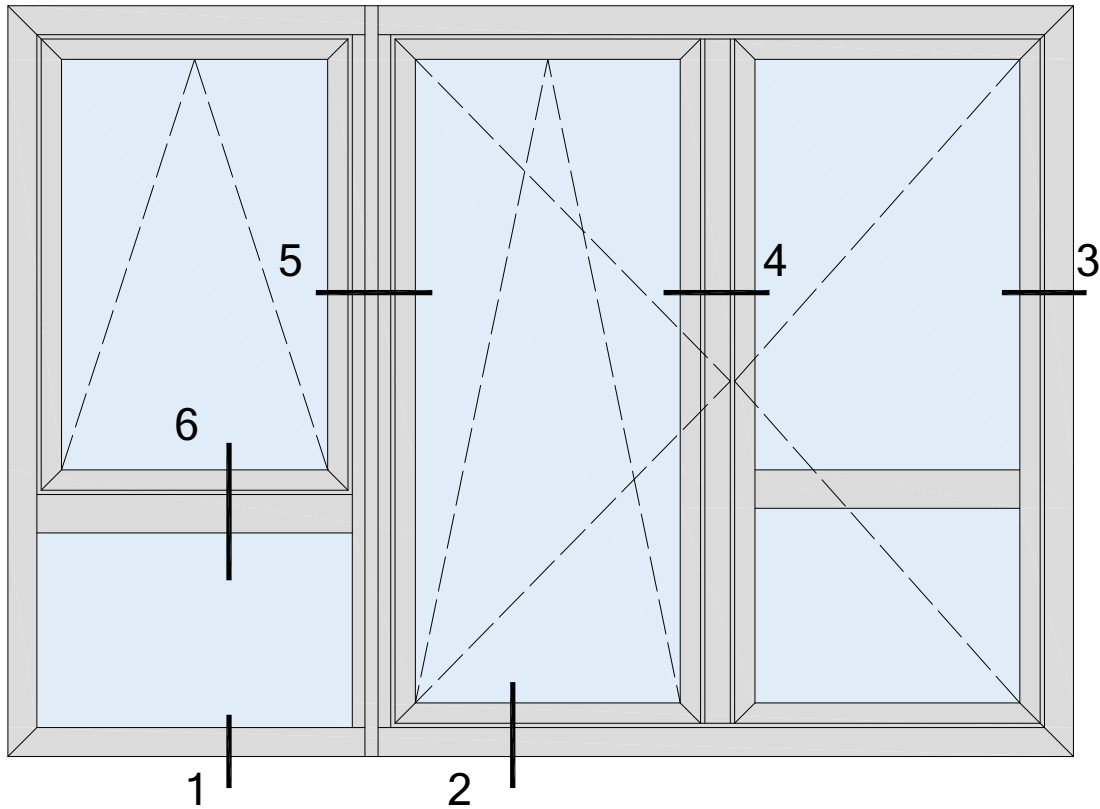
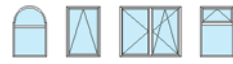


profielen - profils - profiles

Olympia 09

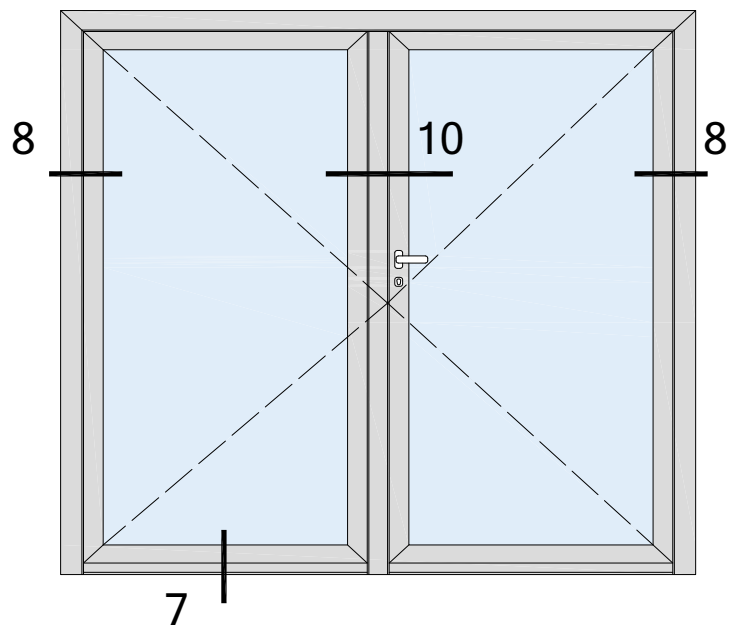
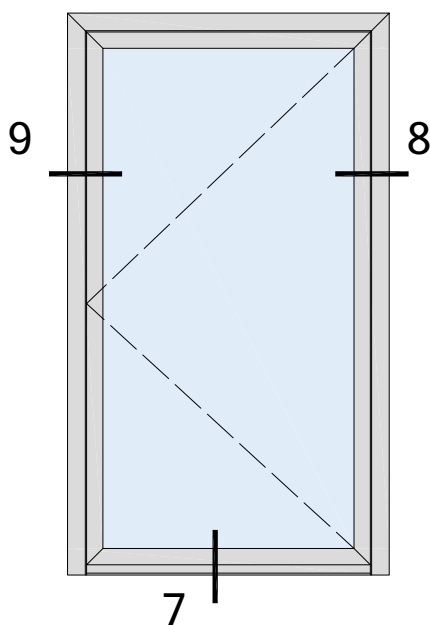


|  |  of / ou / or  |  |  | |
|---|--|--|---|----------|
| 22 | | P-6b-048 | A-GS-306 | A-GS-111 |
| 23 | | P-6b-048 | A-GS-305 | A-GS-111 |
| 24 | | P-6b-048 | A-GS-304 | A-GS-111 |
| 25 | P-6s-045 | P-6b-045 | A-GS-306 | A-GS-111 |
| 26 | P-6s-045 | P-6b-045 | A-GS-305 | A-GS-111 |
| 27 | P-6s-045 | P-6b-045 | A-GS-304 | A-GS-111 |
| 28 | | P-6b-042 | A-GS-306 | A-GS-111 |
| | P-6s-043 | P-6b-043 | A-GS-305 | A-GS-111 |
| 29 | | P-6b-042 | A-GS-305 | A-GS-111 |
| | P-6s-043 | P-6b-043 | A-GS-304 | A-GS-111 |
| 30 | | P-6b-042 | A-GS-304 | A-GS-111 |
| 31 | P-6s-039 | P-6b-039 | A-GS-306 | A-GS-111 |
| 32 | P-6s-039 | P-6b-039 | A-GS-305 | A-GS-111 |
| 33 | P-6s-039 | P-6b-039 | A-GS-304 | A-GS-111 |
| 34 | P-6s-037 | P-6b-037 | A-GS-305 | A-GS-111 |
| 35 | P-6s-037 | P-6b-037 | A-GS-304 | A-GS-111 |
| 36 | P-6s-035 | P-6b-035 | A-GS-305 | A-GS-111 |
| 37 | P-6s-035 | P-6b-035 | A-GS-304 | A-GS-111 |
| 38 | P-6s-033 | P-6b-033 | A-GS-305 | A-GS-111 |
| 39 | P-6s-033 | P-6b-033 | A-GS-304 | A-GS-111 |
| 40 | P-6s-031 | P-6b-031 | A-GS-305 | A-GS-111 |
| 41 | P-6s-031 | P-6b-031 | A-GS-304 | A-GS-111 |
| 42 | P-6s-029 | P-6b-029 | A-GS-305 | A-GS-111 |
| 43 | P-6s-029 | P-6b-029 | A-GS-304 | A-GS-111 |
| 44 | P-6s-027 | P-6b-027 | A-GS-305 | A-GS-111 |
| 45 | P-6s-027 | P-6b-027 | A-GS-304 | A-GS-111 |
| 46 | P-6s-025 | P-6b-025 | A-GS-305 | A-GS-111 |
| 47 | P-6s-025 | P-6b-025 | A-GS-304 | A-GS-111 |
| 48 | P-6s-023 | P-6b-023 | A-GS-305 | A-GS-111 |
| 49 | P-6s-023 | P-6b-023 | A-GS-304 | A-GS-111 |
| 50 | P-6s-021 | P-6b-021 | A-GS-305 | A-GS-111 |
| 51 | P-6s-021 | P-6b-021 | A-GS-304 | A-GS-111 |
| 52 | P-6s-019 | P-6b-019 | A-GS-305 | A-GS-111 |
| 53 | P-6s-019 | P-6b-019 | A-GS-304 | A-GS-111 |
| 54 | P-6s-015 | P-6b-015 | A-GS-308 | A-GS-111 |
| 55 | P-6s-015 | P-6b-015 | A-GS-306 | A-GS-111 |
| 56 | P-6s-015 | P-6b-015 | A-GS-305 | A-GS-111 |
| 57 | P-6s-015 | P-6b-015 | A-GS-304 | A-GS-111 |
| 58 | P-6s-013 | | A-GS-305 | A-GS-111 |
| 59 | P-6s-013 | | A-GS-304 | A-GS-111 |
| 60 | P-6s-011 | | A-GS-305 | A-GS-111 |
| 61 | P-6s-011 | | A-GS-304 | A-GS-111 |
| 62 | P-6s-007 | | A-GS-308 | A-GS-111 |
| 63 | P-6s-007 | | A-GS-306 | A-GS-111 |
| 64 | P-6s-007 | | A-GS-305 | A-GS-111 |
| 65 | P-6s-007 | | A-GS-304 | A-GS-111 |
| 66 | P-6s-003 | | A-GS-308 | A-GS-111 |
| 67 | P-6s-003 | | A-GS-306 | A-GS-111 |
| 68 | P-6s-003 | | A-GS-305 | A-GS-111 |
| 69 | P-6s-003 | | A-GS-304 | A-GS-111 |

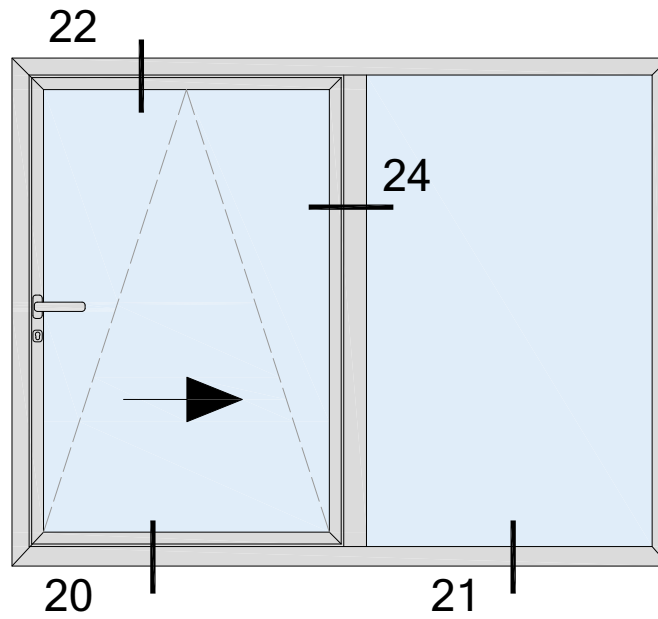


- 1: p.49
- 2: p.52
- 3: p.54
- 4: p.56
- 5: p.57
- 6: p.58

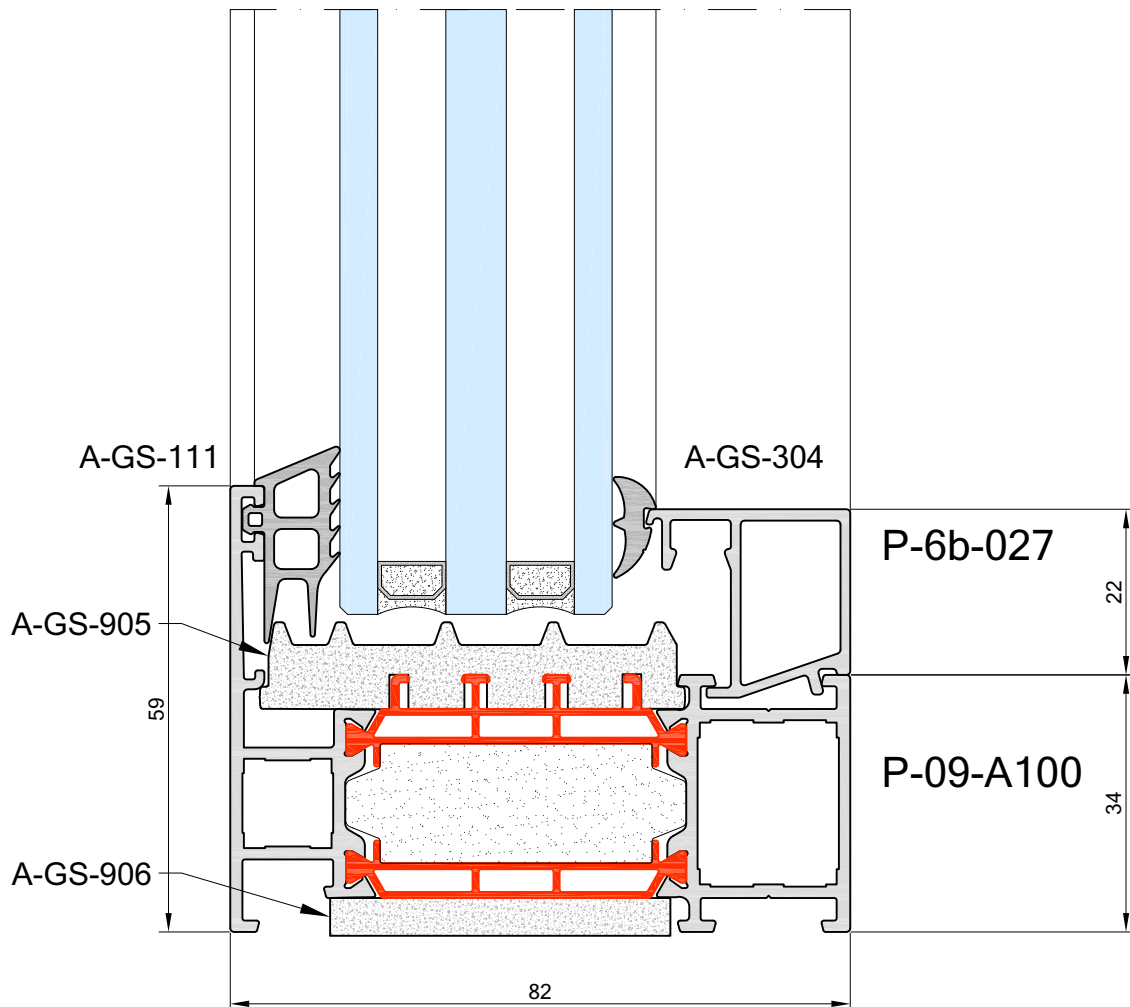
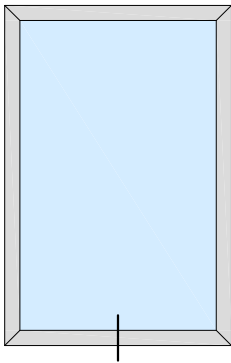
- 7: p.60
- 8: p.61
- 9: p.62
- 10: p.63



overzicht



- 20: p.64
- 21: p.66
- 22: p.67
- 23: p.68
- 24: p.69



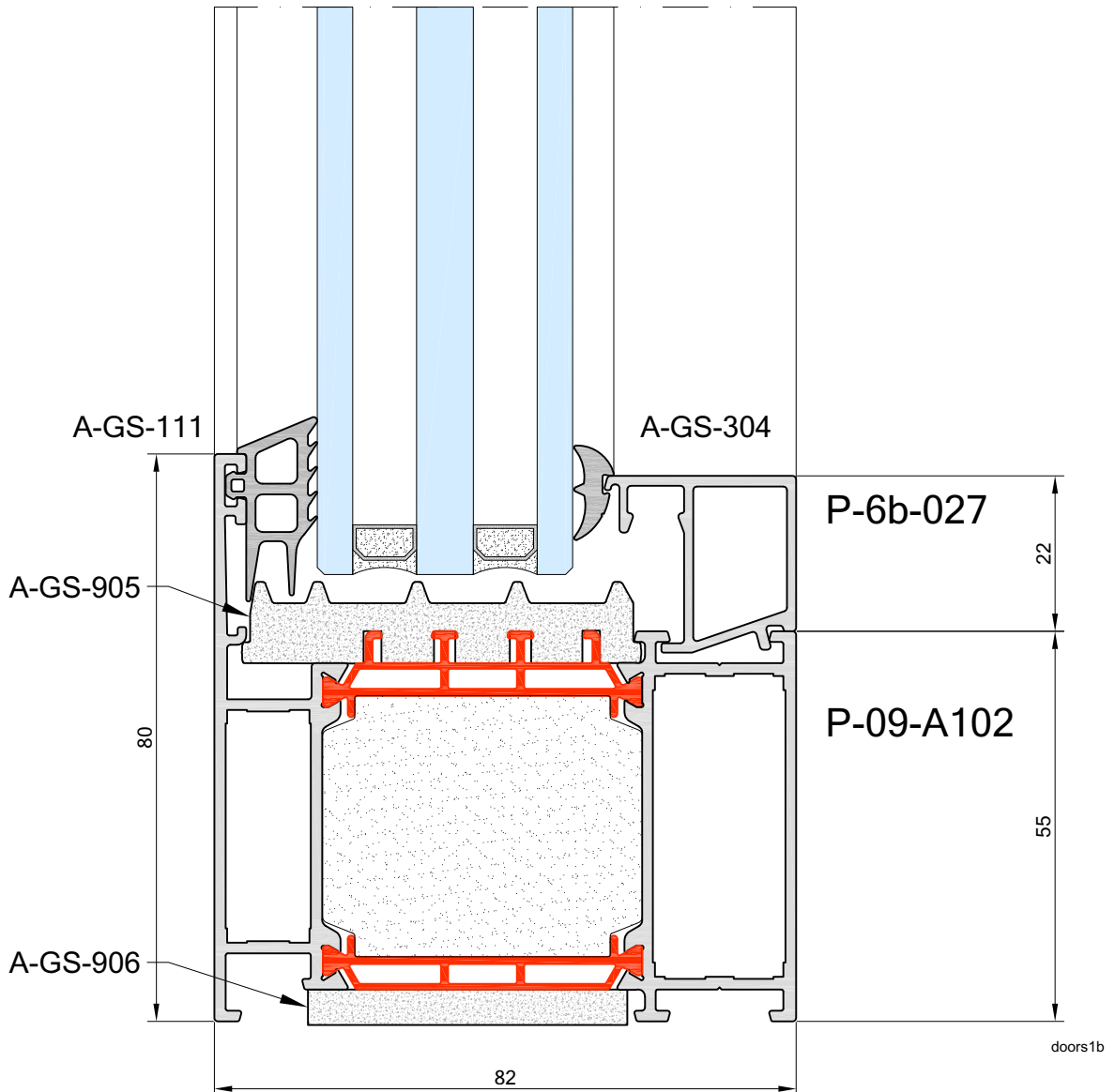
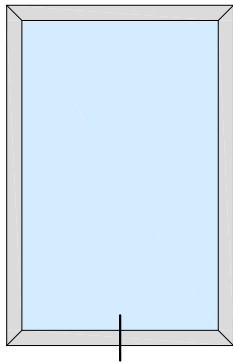
doors1a

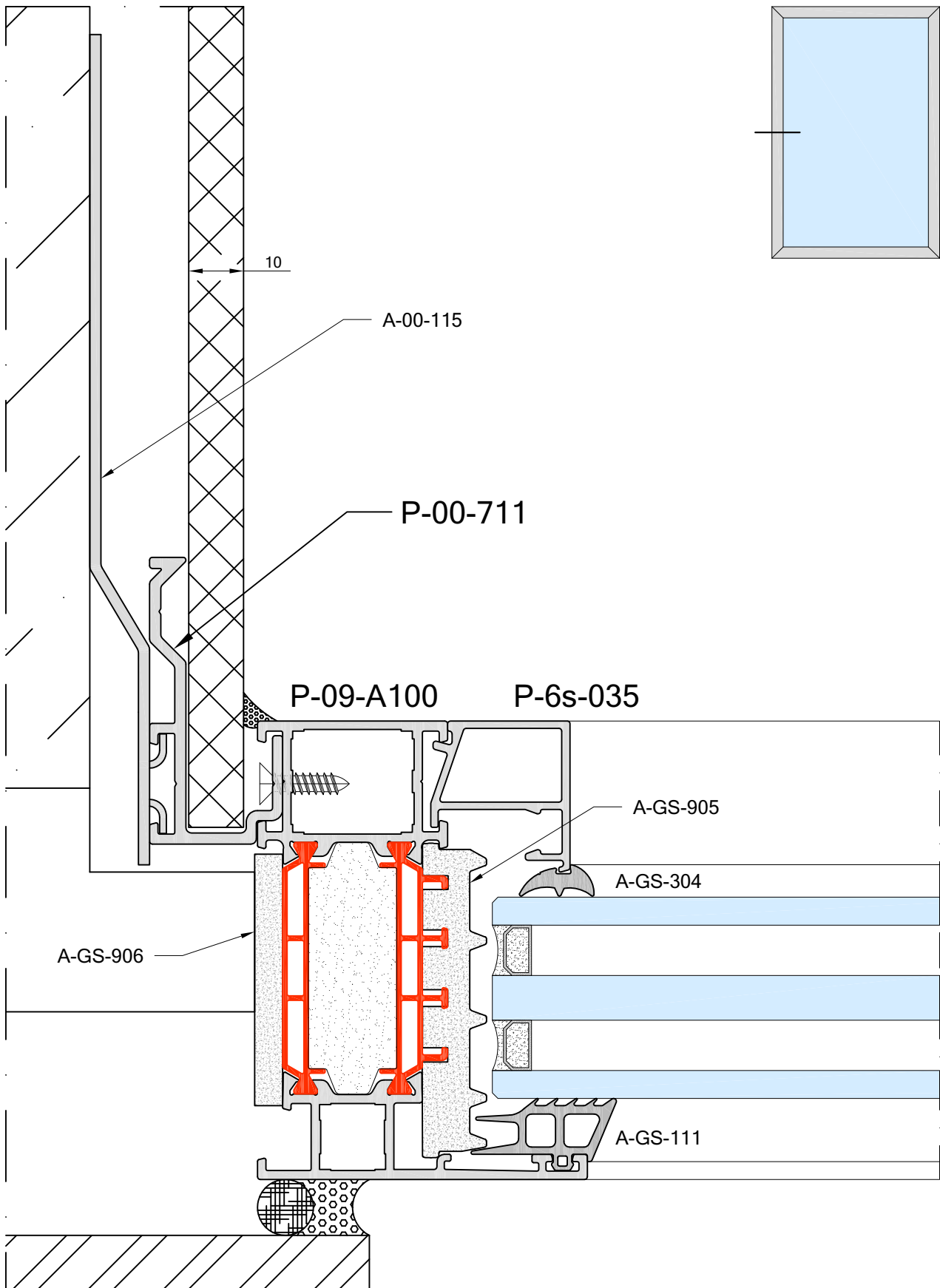
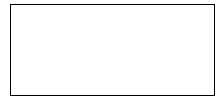
1



Olympia 09

doorsneden - coupes - sections

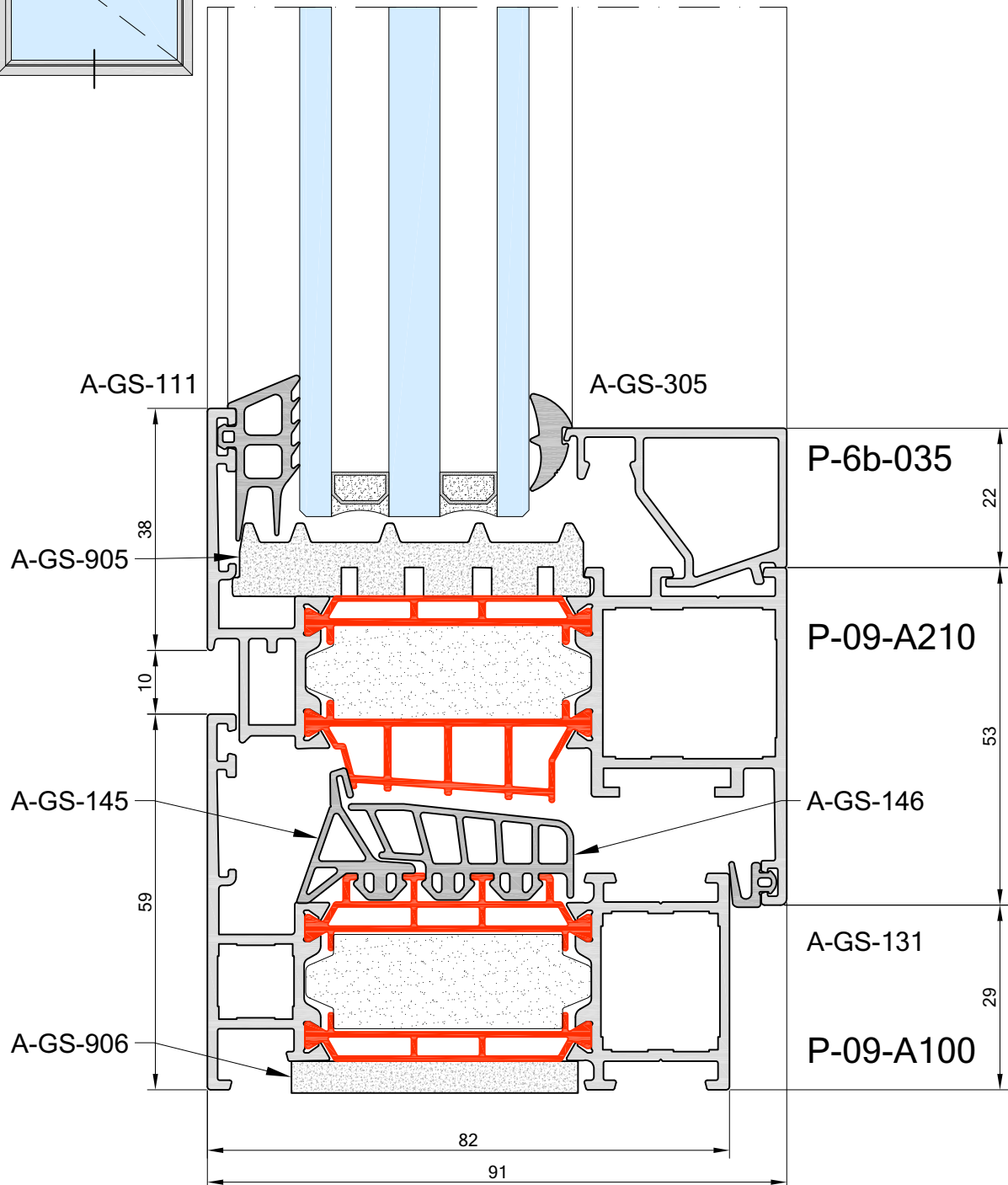
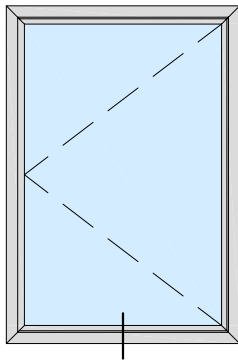




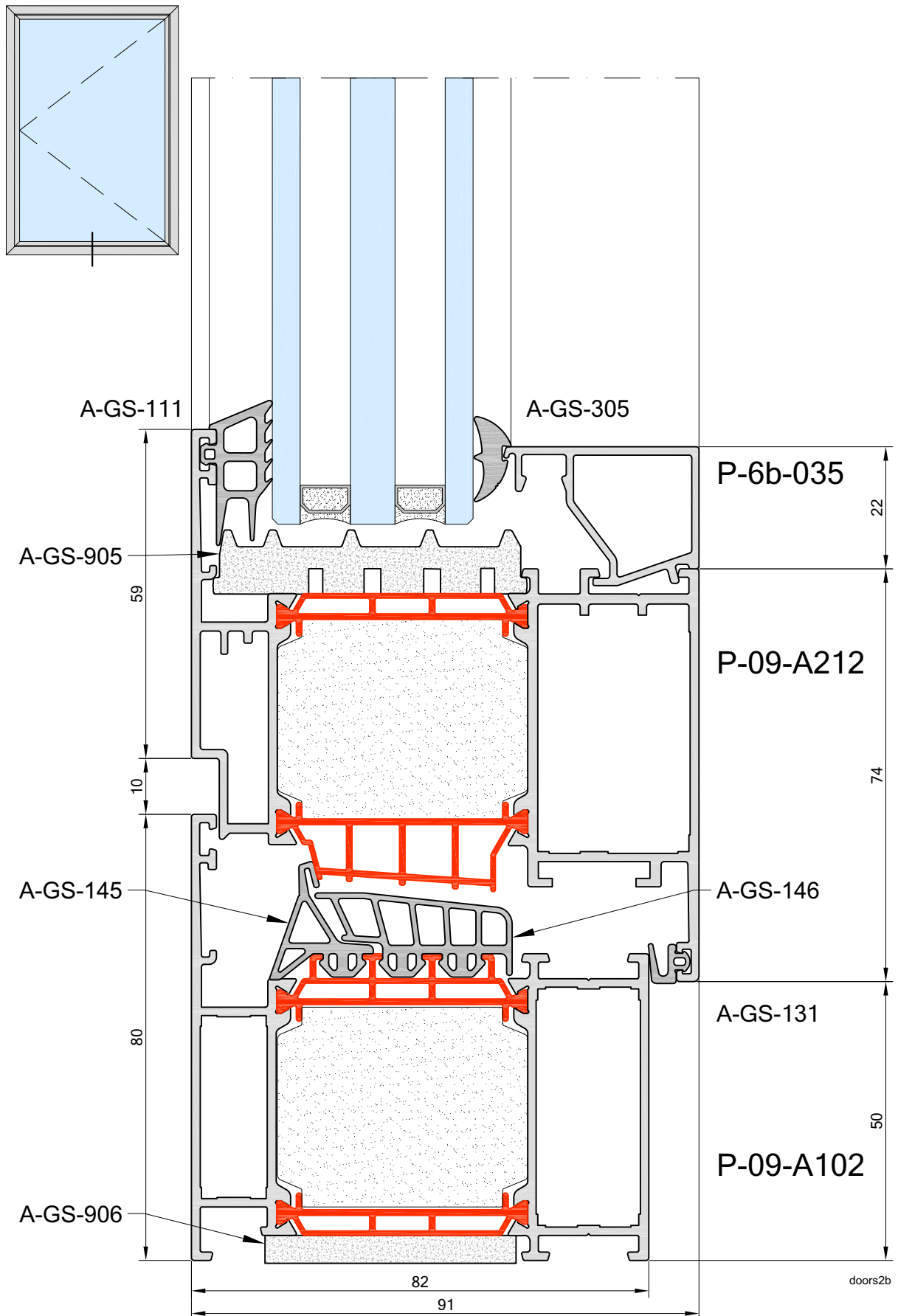
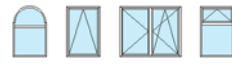
doors1c



doorsneden - coupes - sections

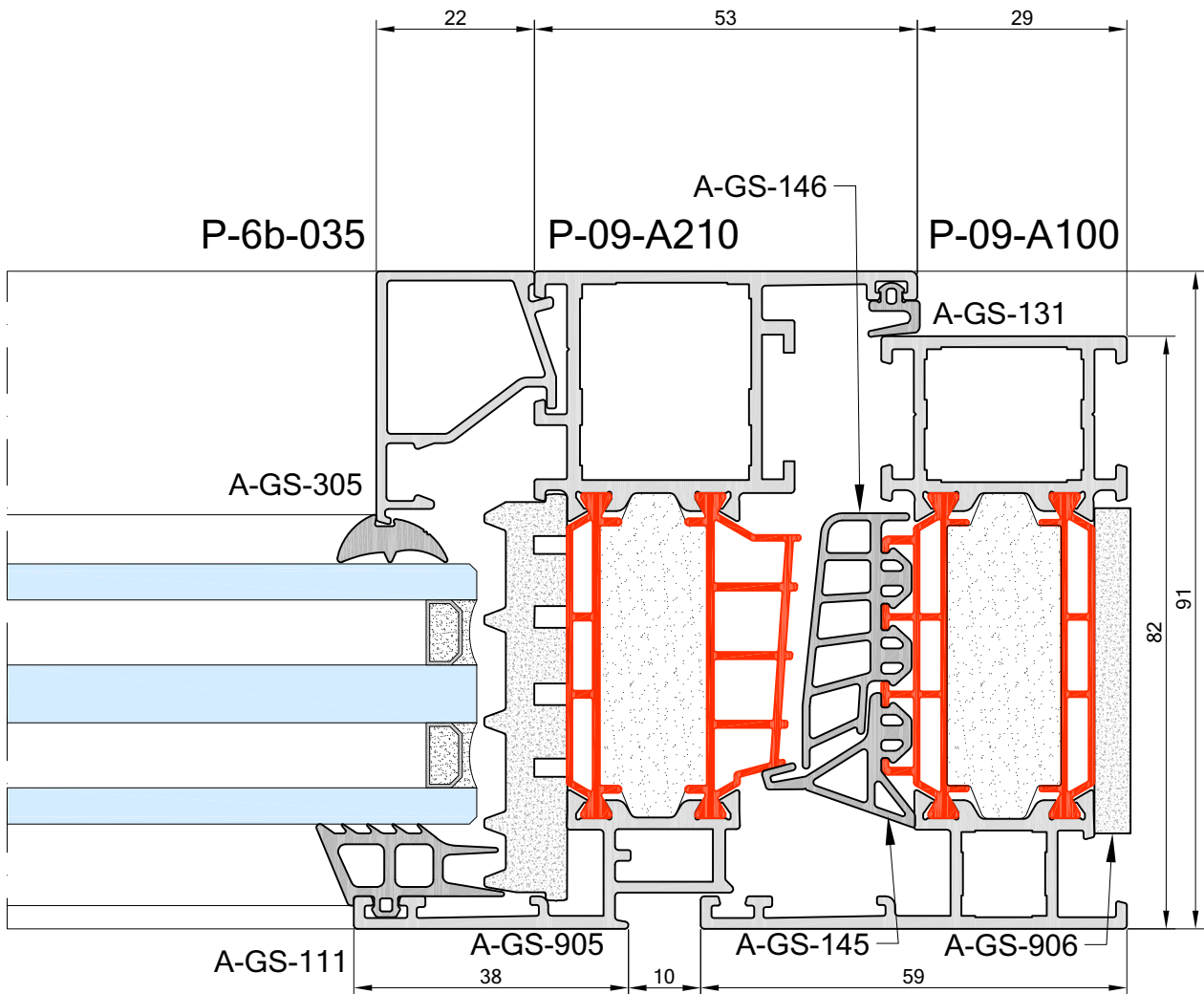
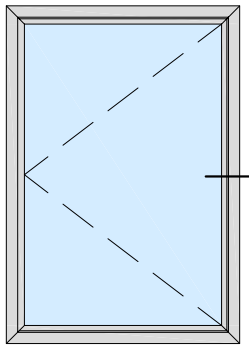


doors2a

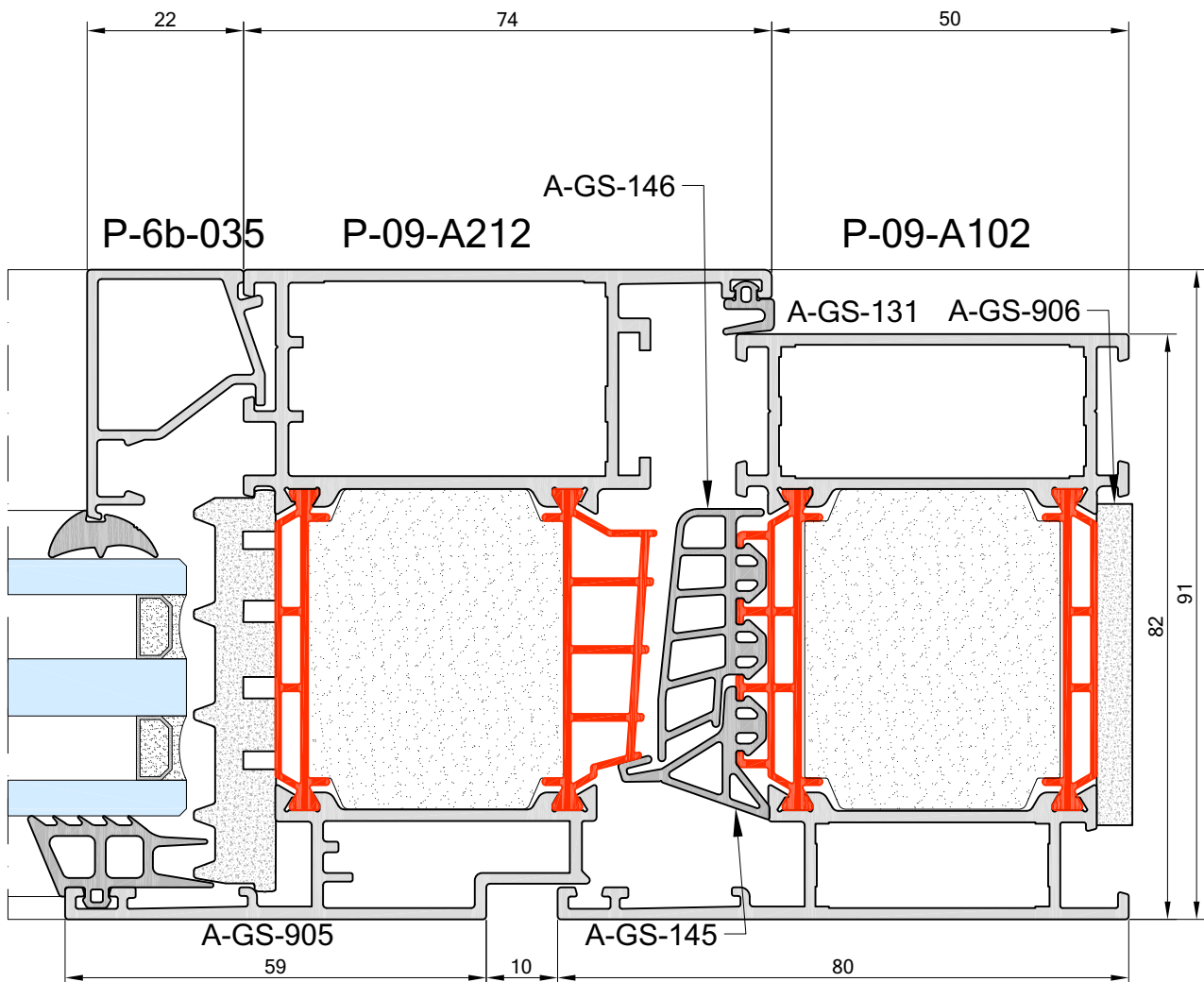
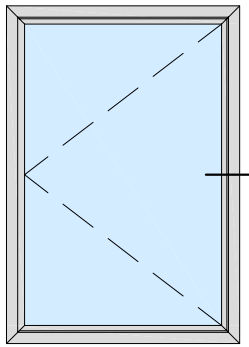
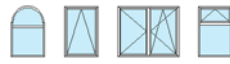




doorsneden - coupes - sections



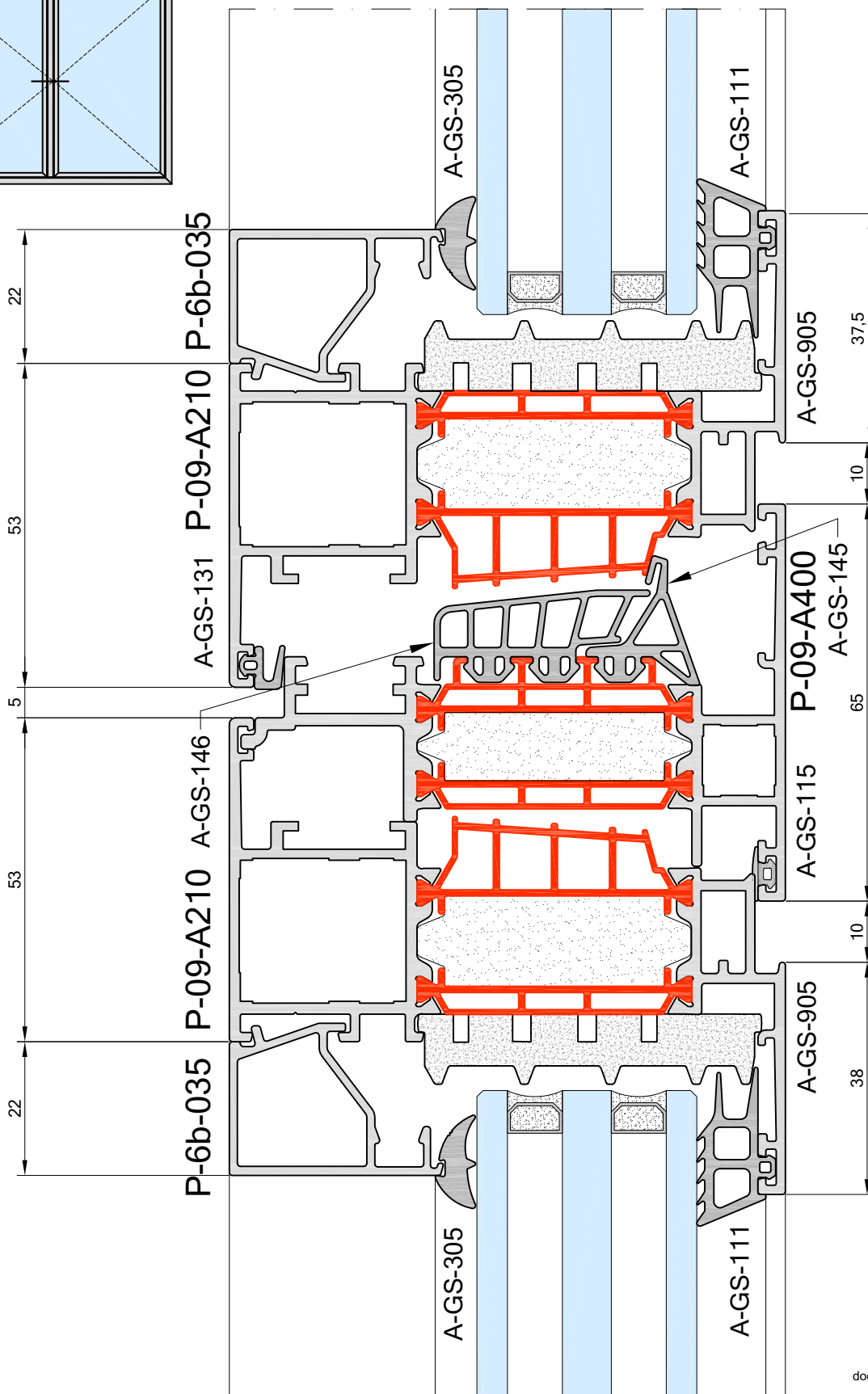
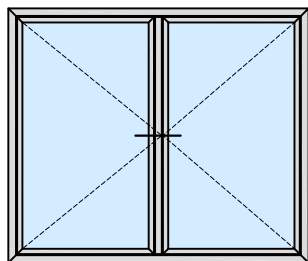
doors3a



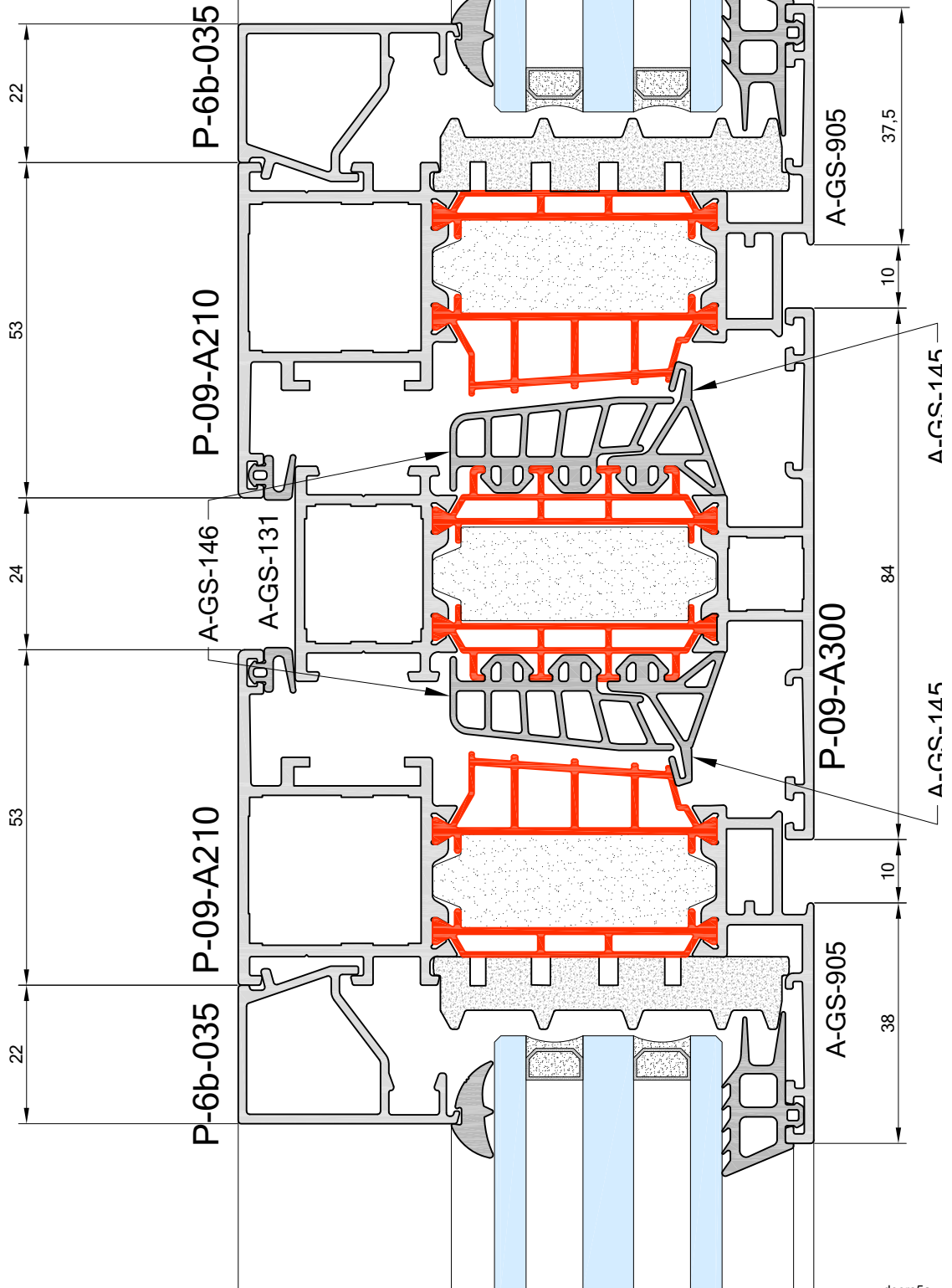
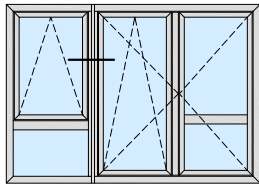
doors3b



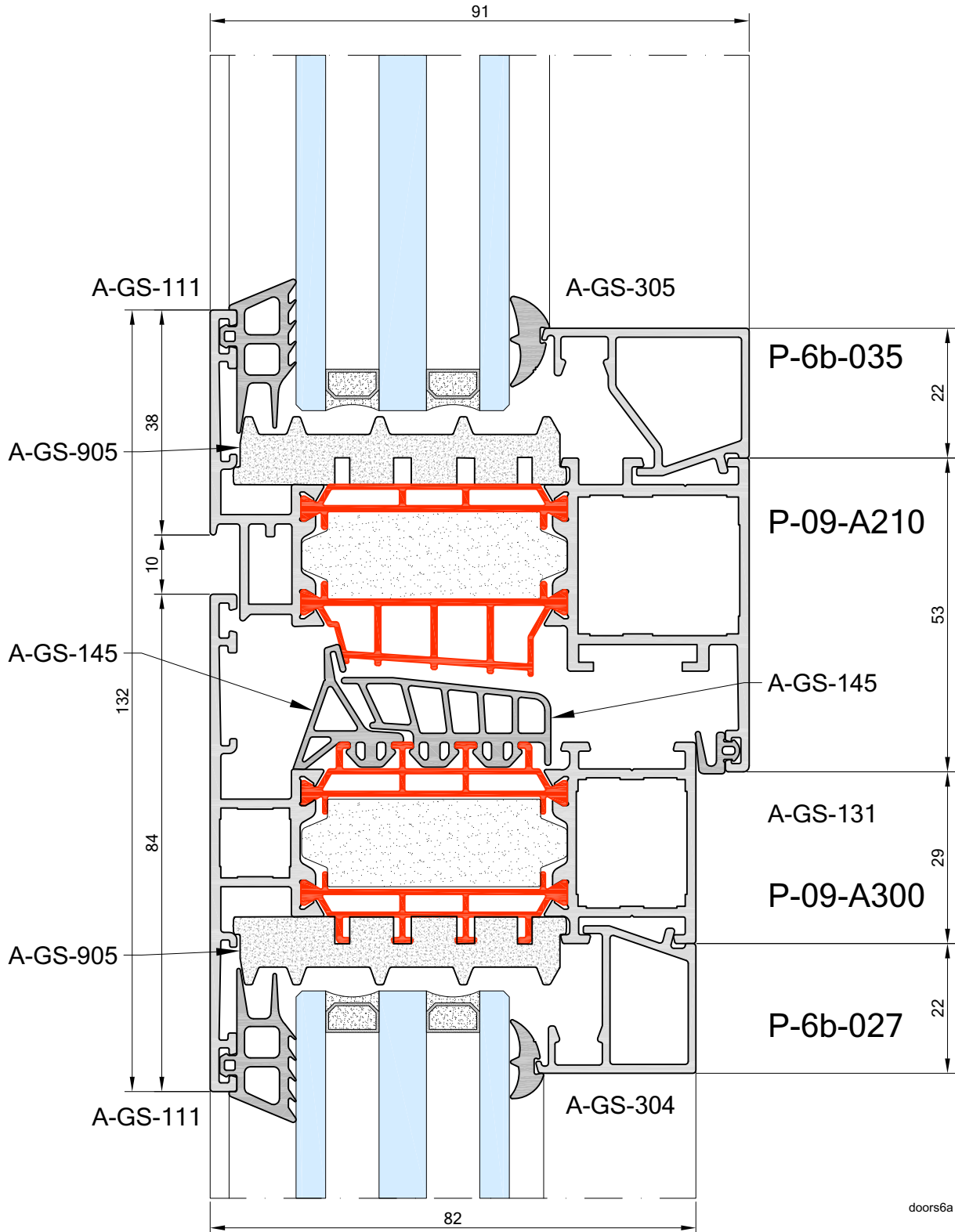
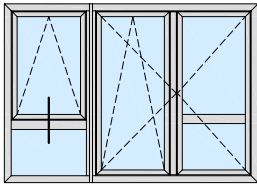
doorsneden - coupes - sections

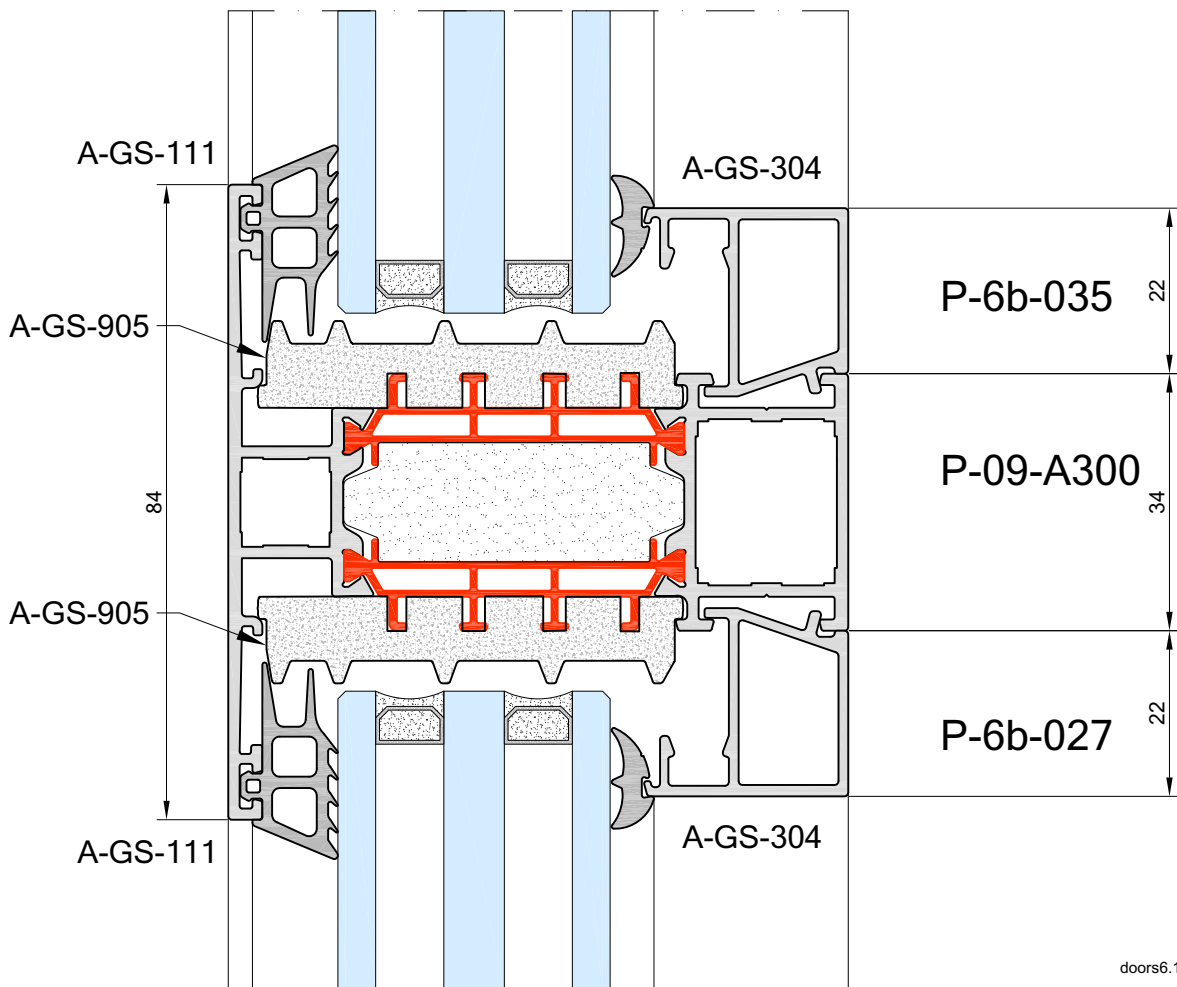
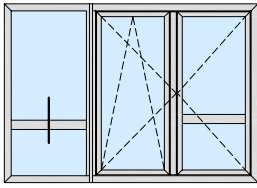
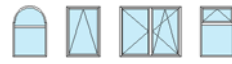


doors4a

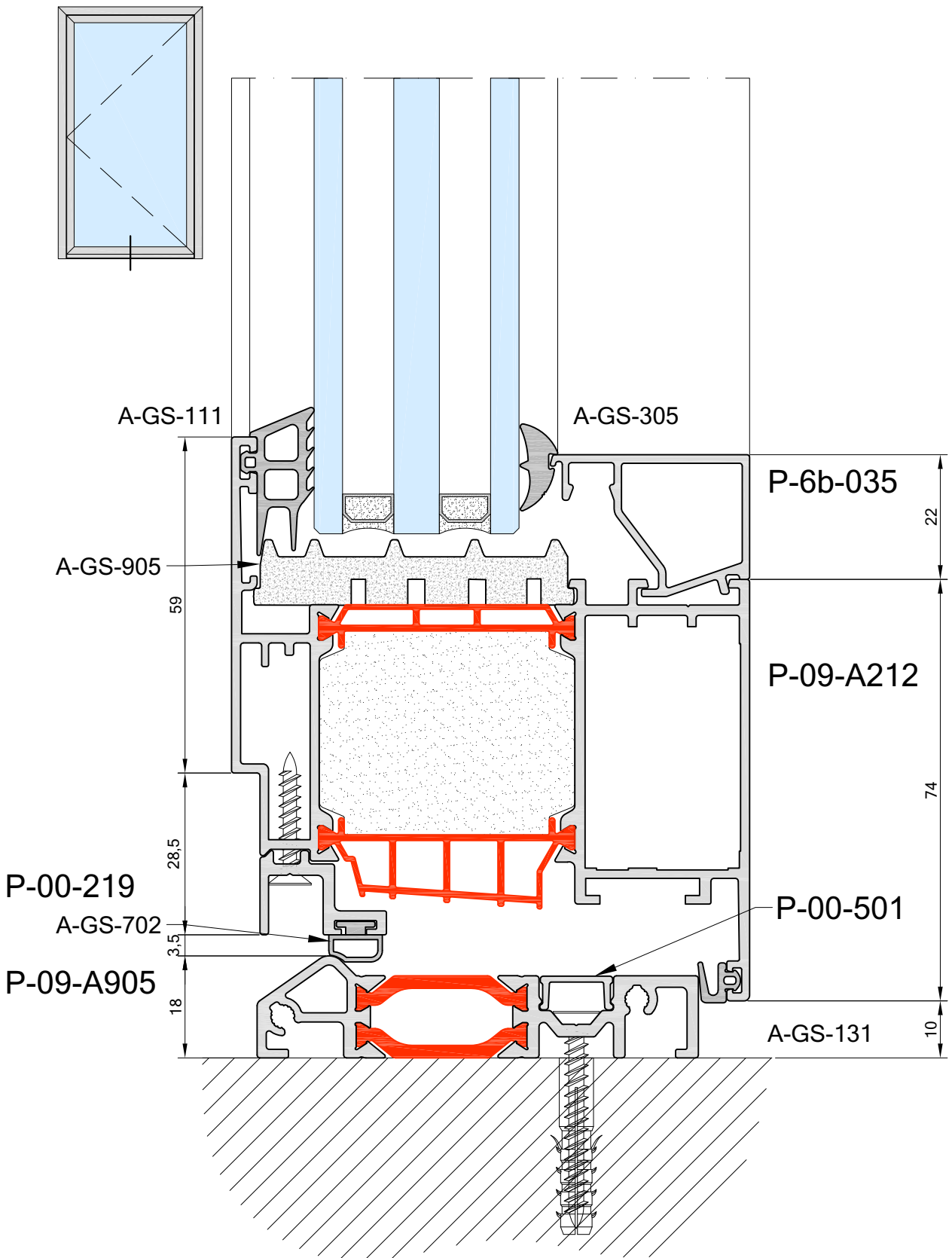


doors5a

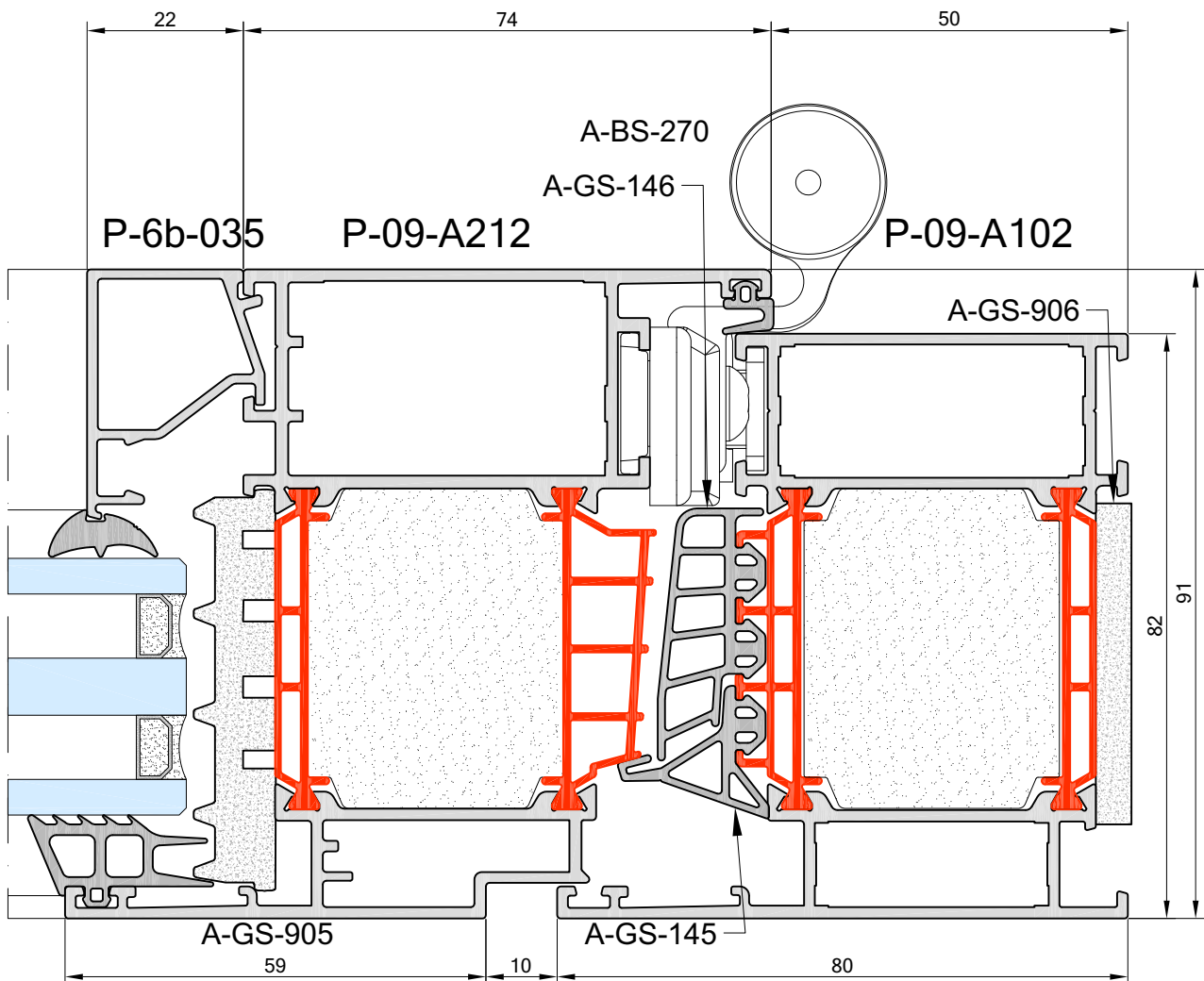
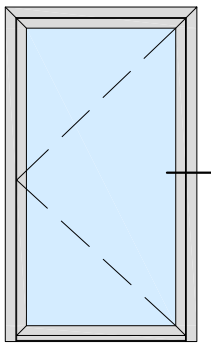
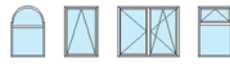




doors6.1a



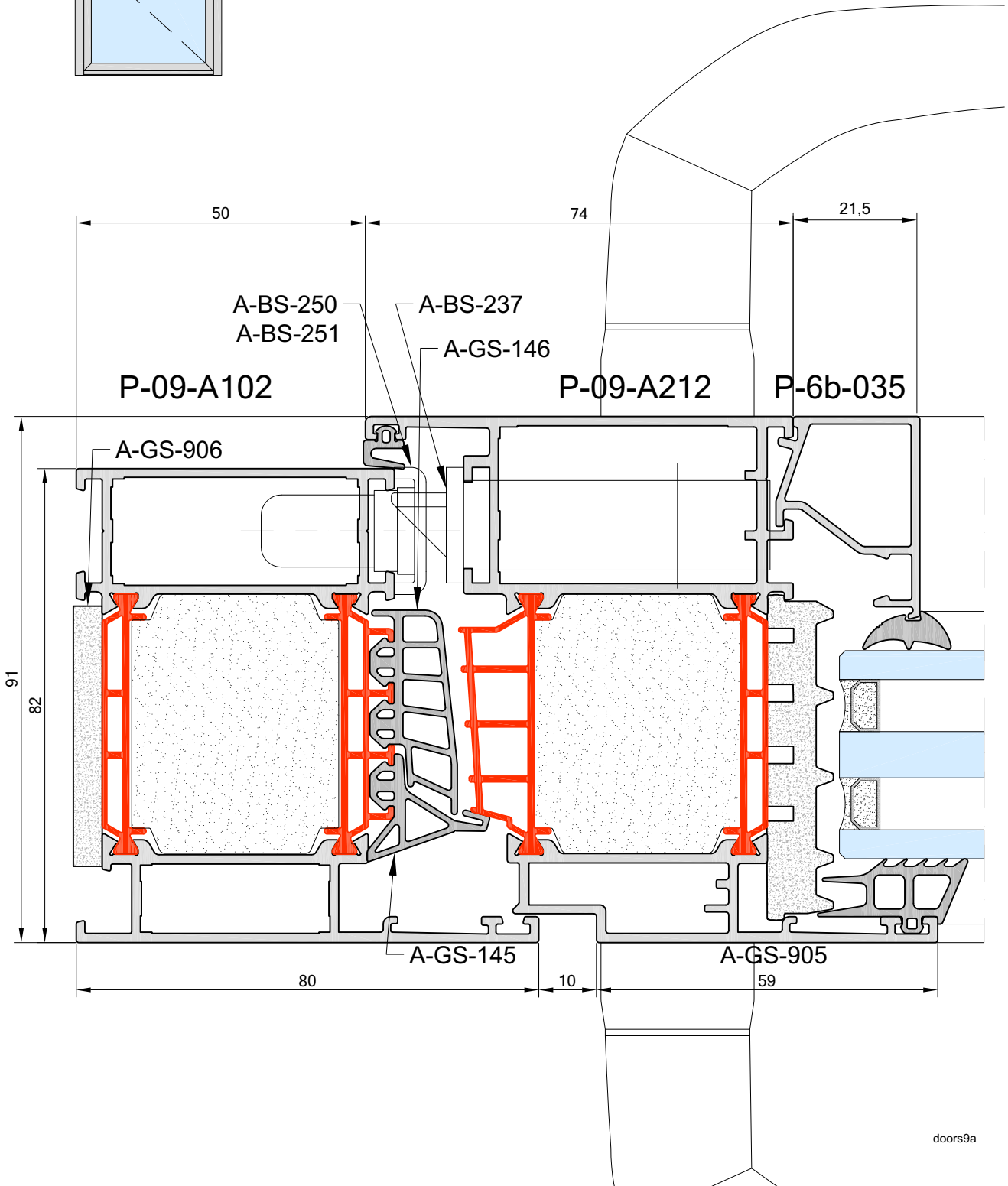
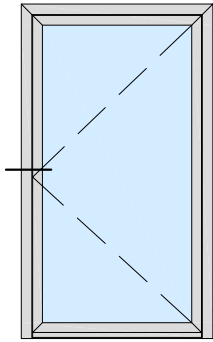
doors7a



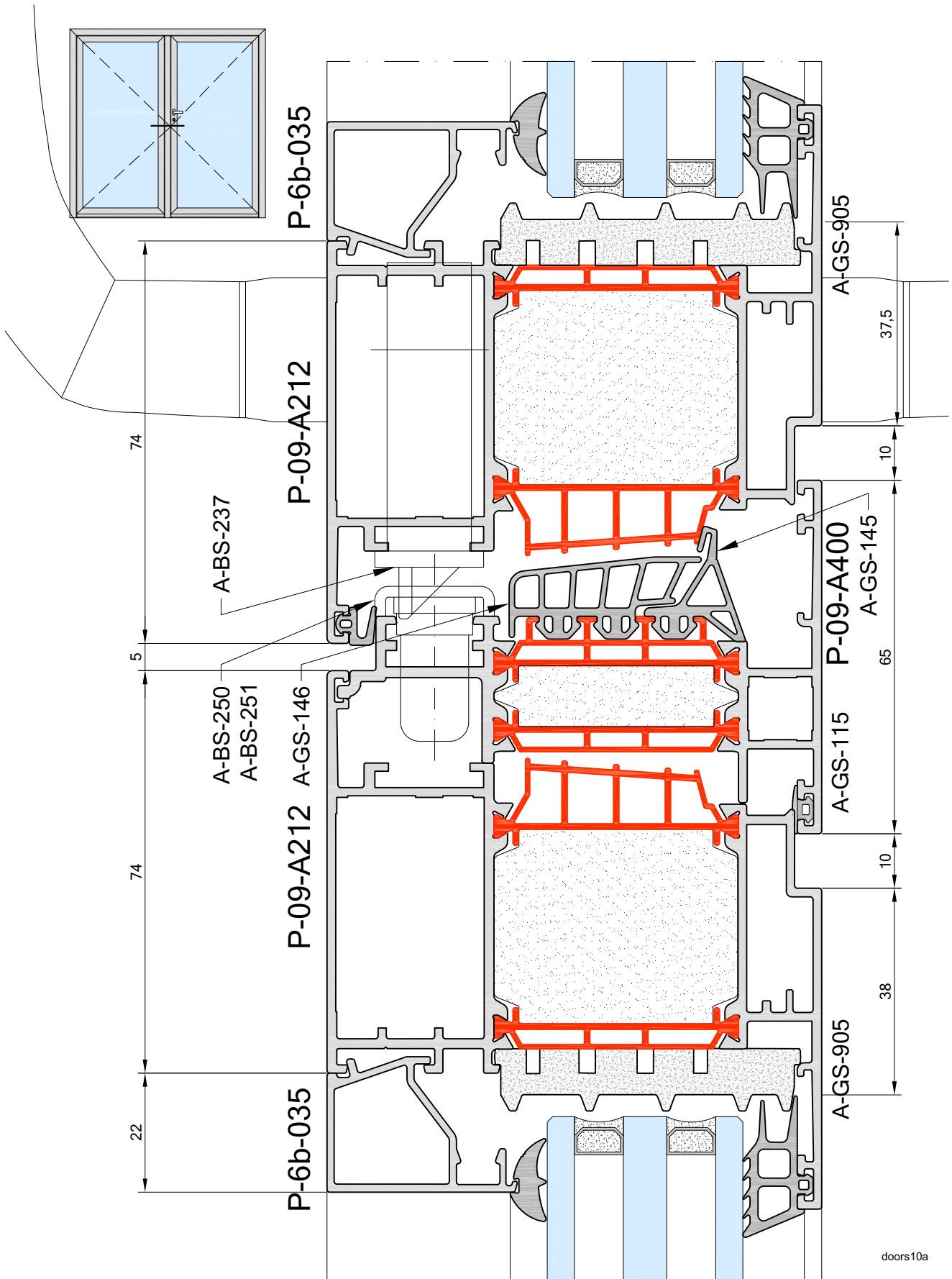
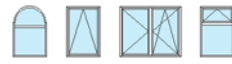
doors8a



doorsneden - coupes - sections



doors9a



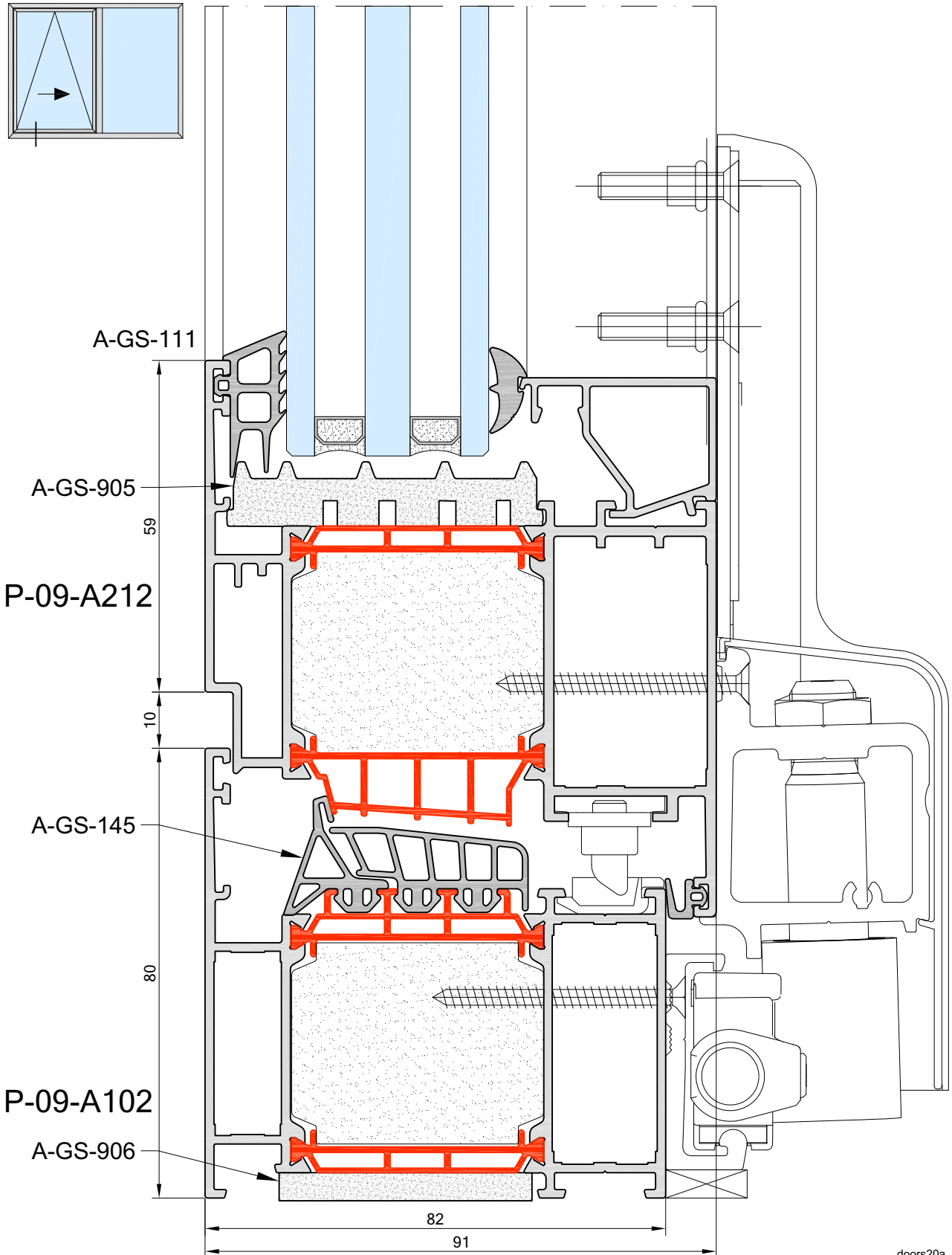
doors10a

20a

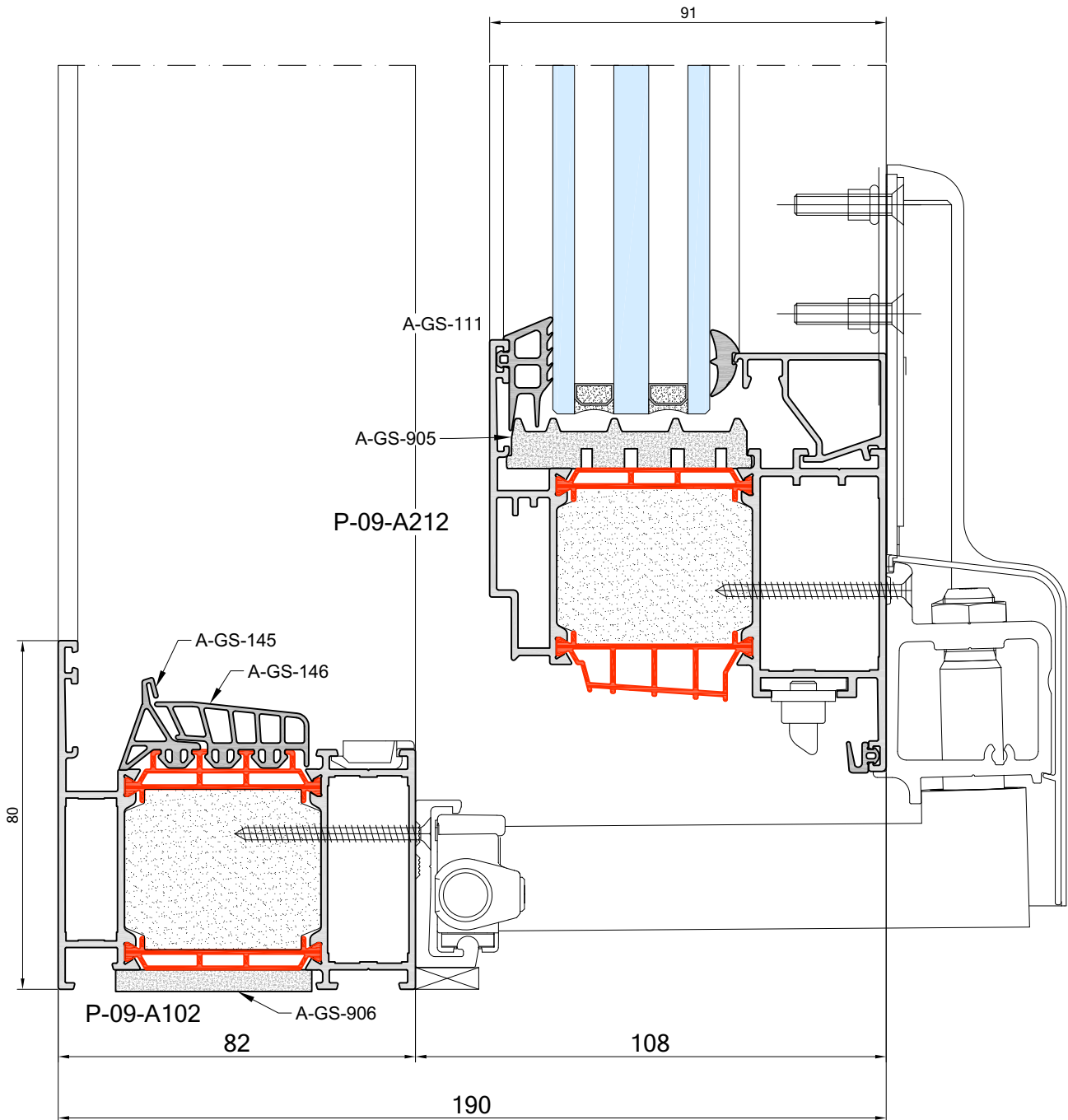
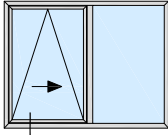


Olympia 09

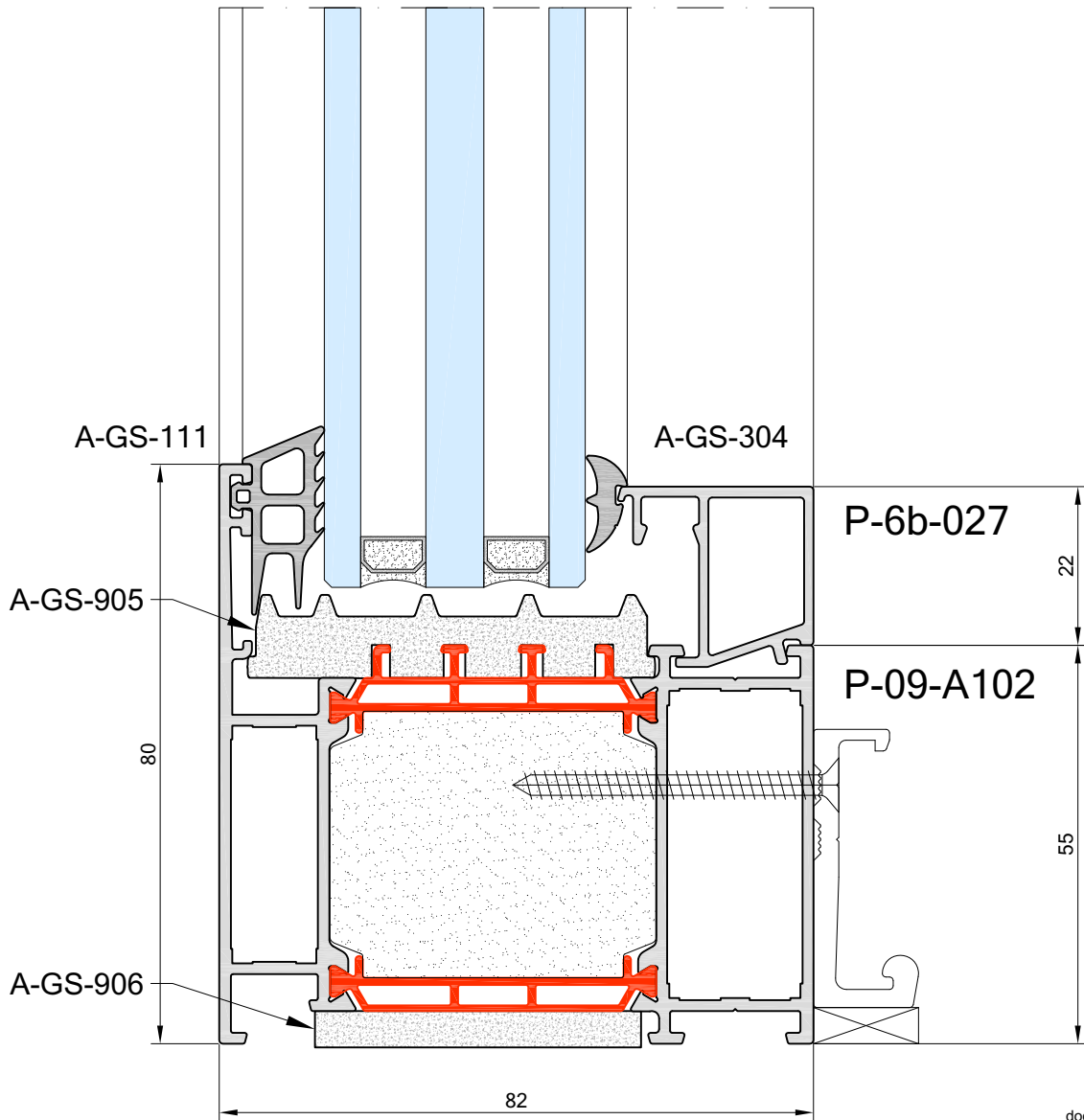
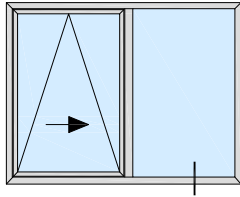
doorsneden - coupes - sections



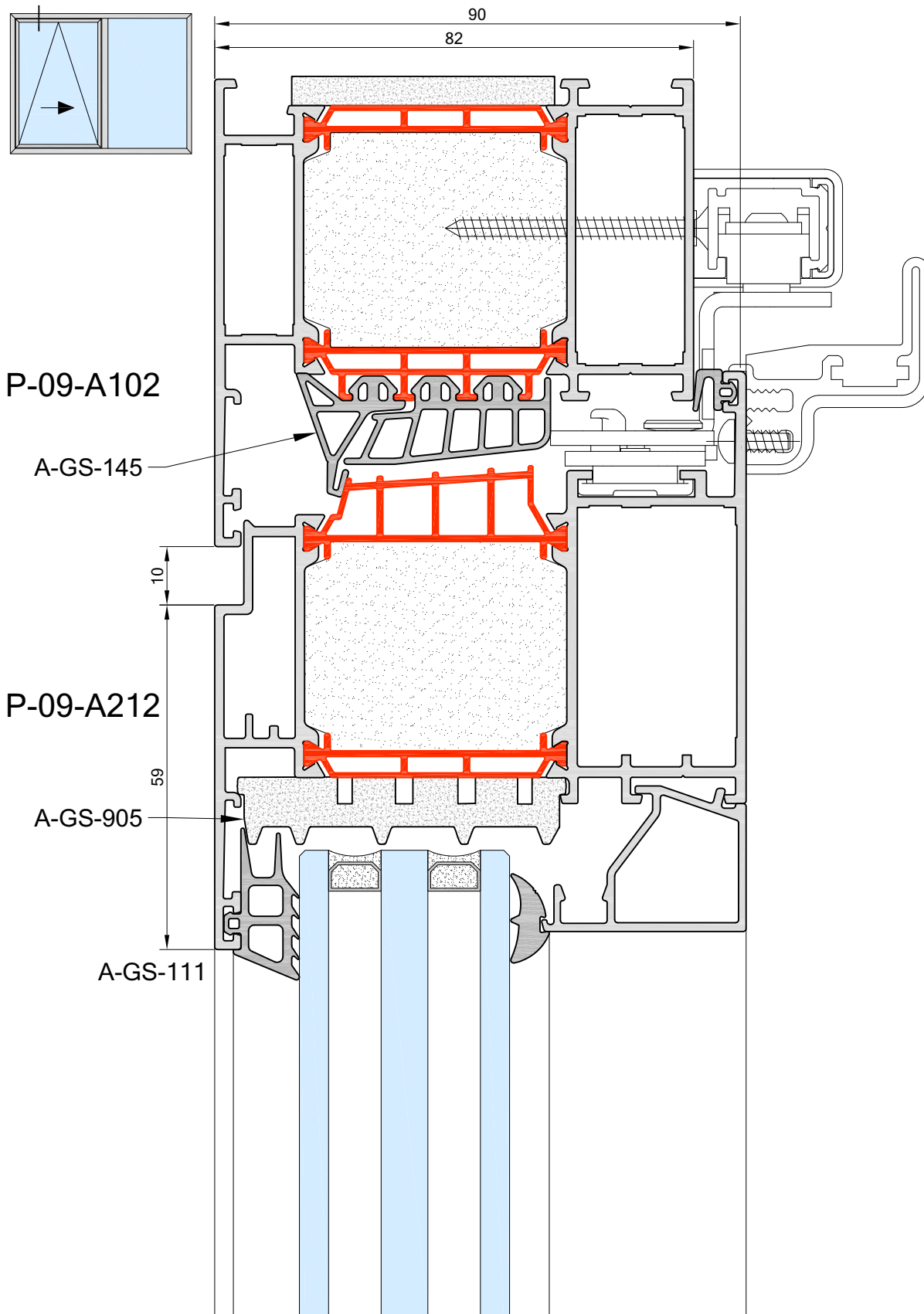
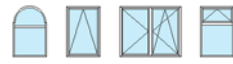
doors20a



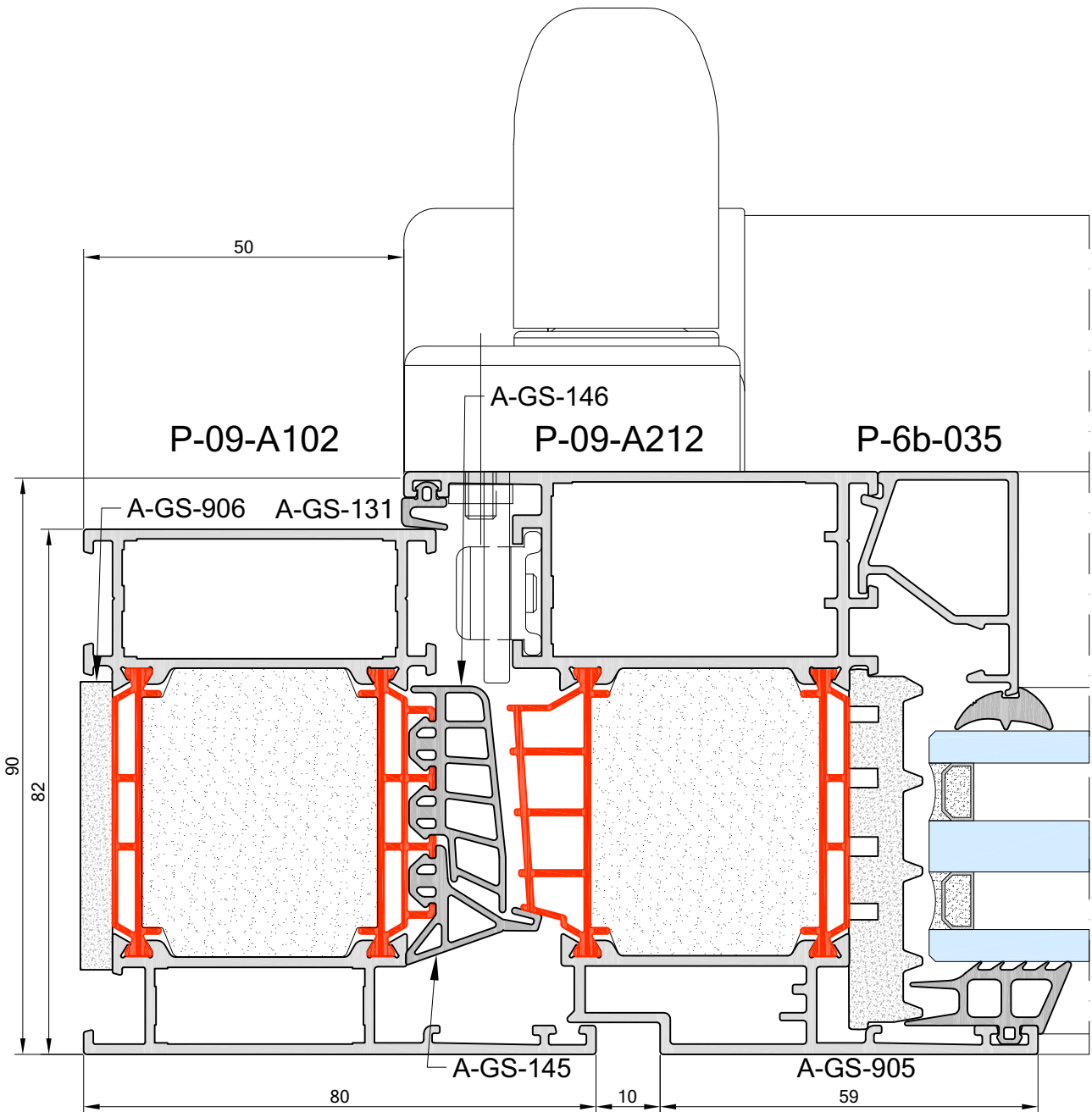
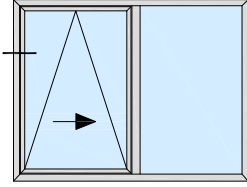
doors20b



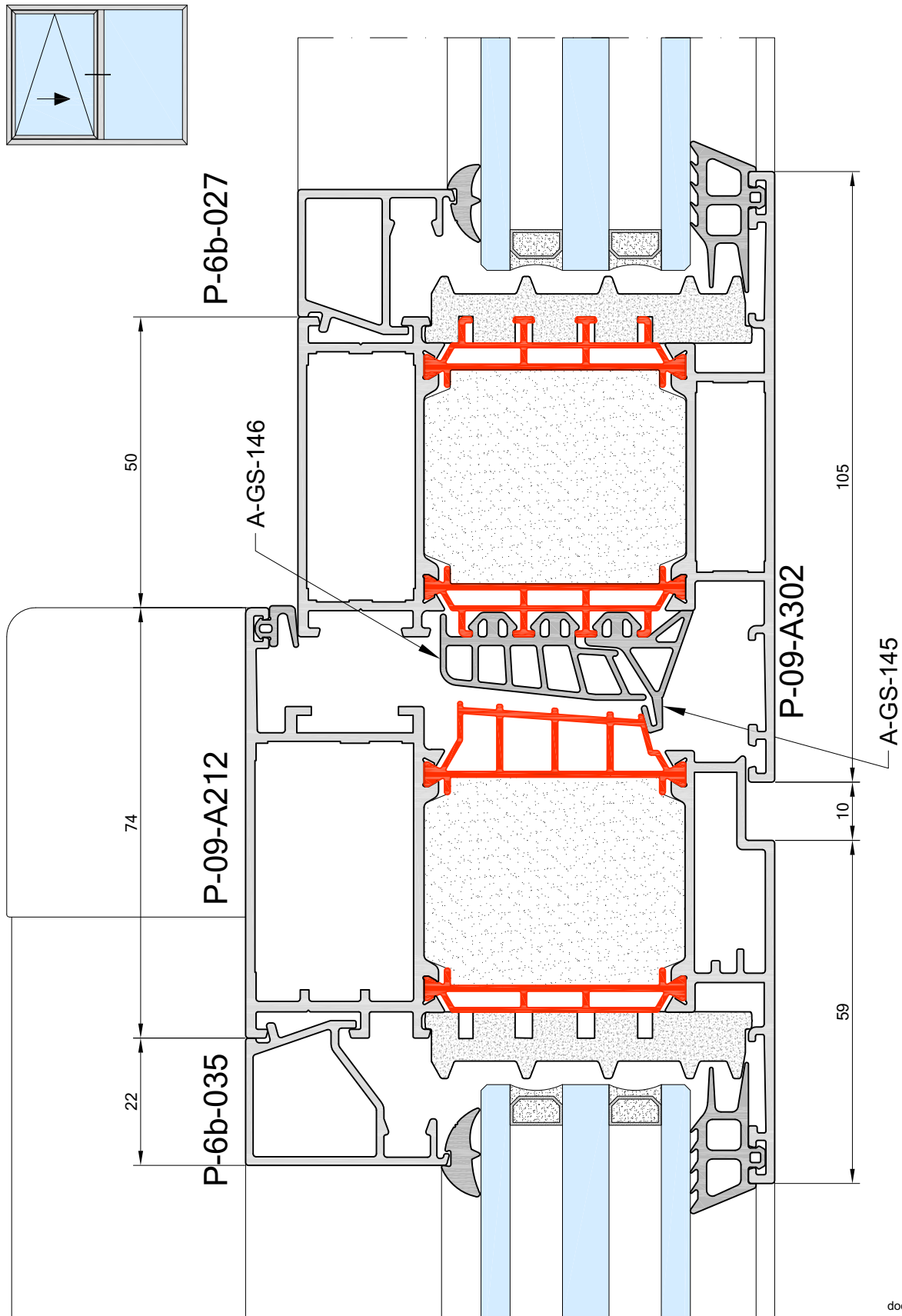
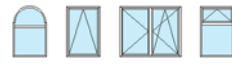
doors21



doors22



doors23



doors24



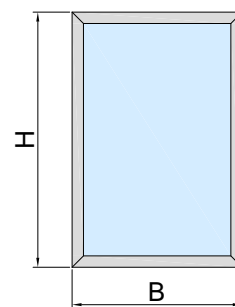
| | |
|---|------|
| vast raam fenetre fixe fixed window | p.72 |
| draairaam fenetre ouvrant side hung window | p.74 |
| stolpraam double ouvrant a la francais double casement window | p.76 |
| kipschuif coulissant a translation fixed window | p.78 |

vast raam
fenetre fixe
fixed window

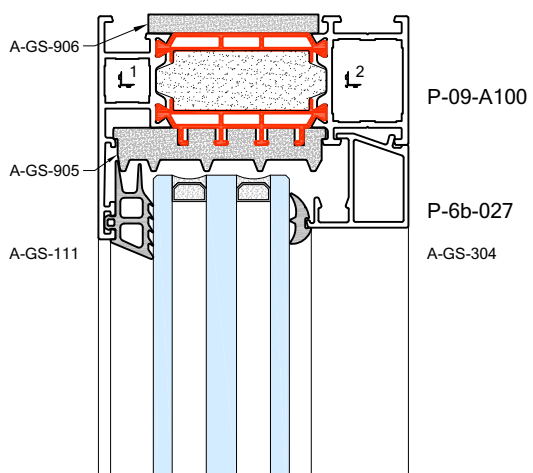


Olympia 09

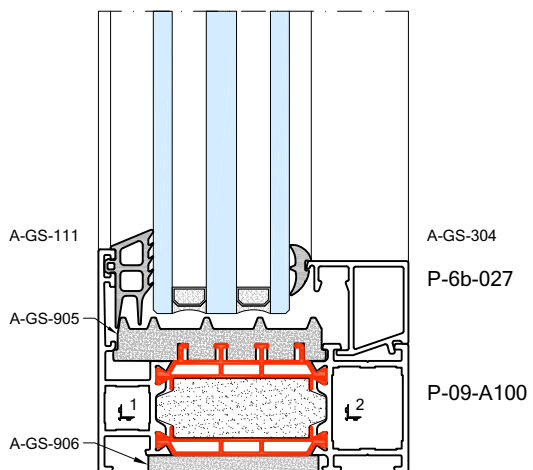
zaagtabellen - tables de sciages - sawing tables



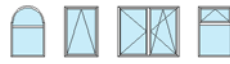
| | |
|----------|----------|
| A-00-100 | max. 900 |
| A-00-105 | 4 |
| A-09-100 | 4 |

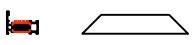
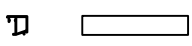


| | | |
|--|--------|--------|
| | B | H |
| | B - 84 | H - 84 |



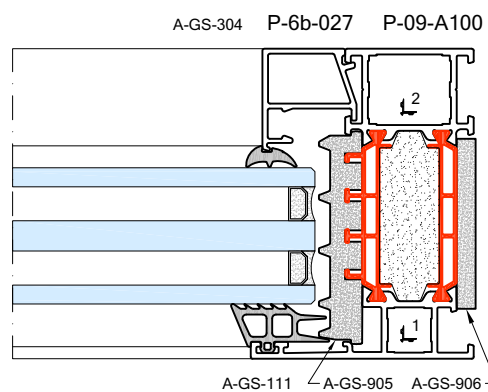
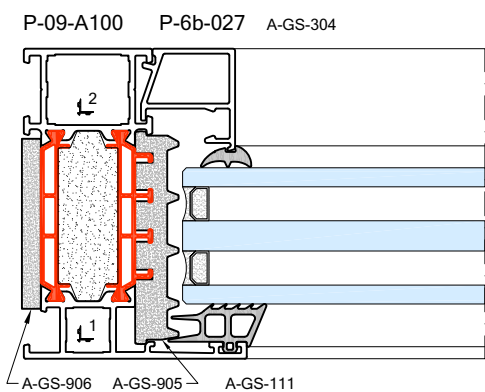
enkelraam



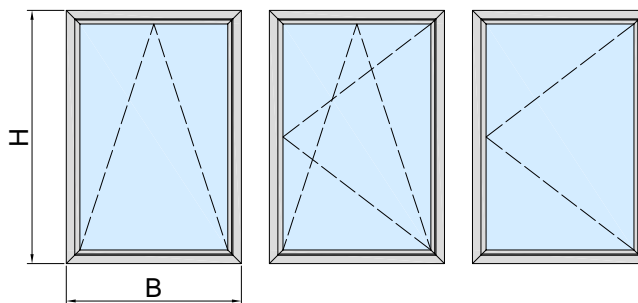
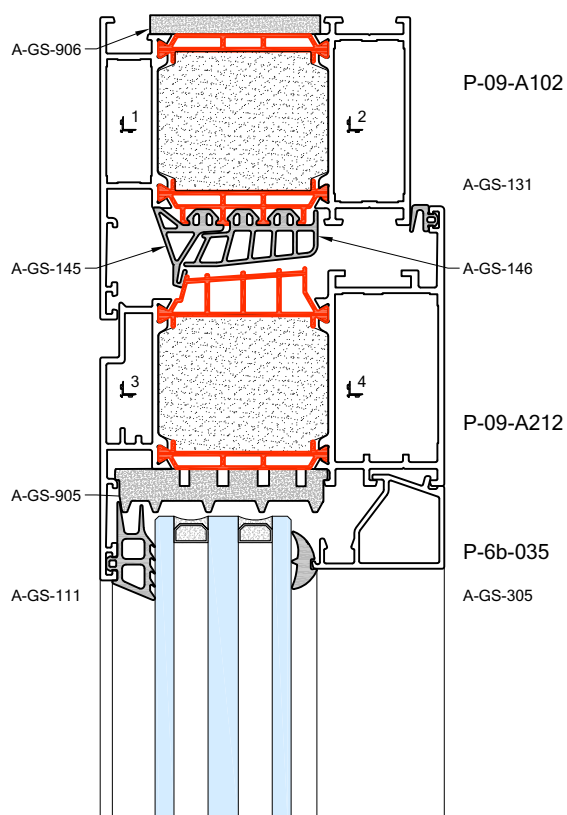
| | | B | # | H | # |
|-----------|---|--------|---|---------|---|
| P-09-A100 |  | B | 2 | H | 2 |
| P-6b-027 |  | B - 68 | 2 | H - 112 | 2 |

| | |
|----------|---------|
| A-GS-111 | 2B + 2H |
| A-GS-305 | 2B + 2H |
| A-GS-905 | 2B + 2H |
| A-GS-906 | 2B + 2H |

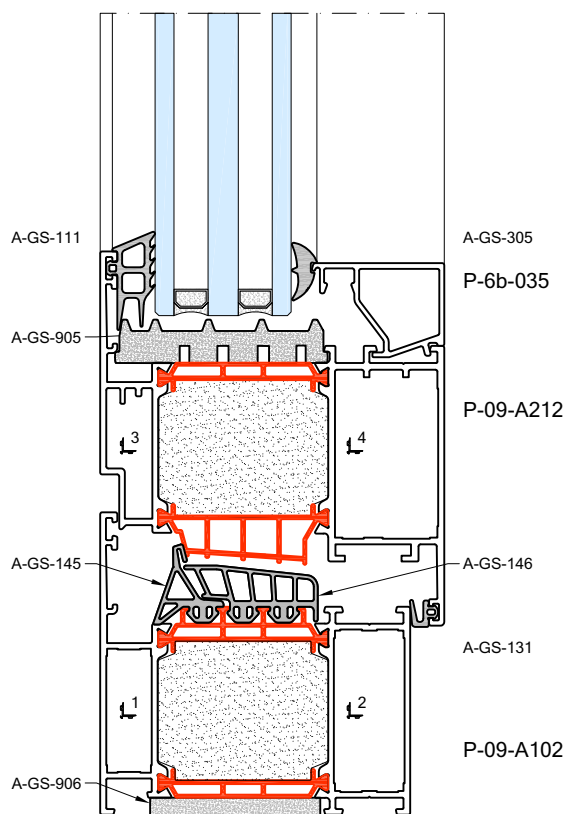
| |  P | # |
|---|--|---|
| 1 | A-PH-1111 | 4 |
| 2 | A-PH-2118 | 4 |



enkelraam

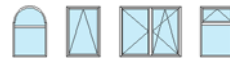


| | |
|----------|----------|
| A-00-100 | max. 900 |
| A-00-105 | 8 |
| A-09-100 | 4 |



| | | |
|--|---------|---------|
| | B | H |
| | B - 264 | H - 264 |

draairaam

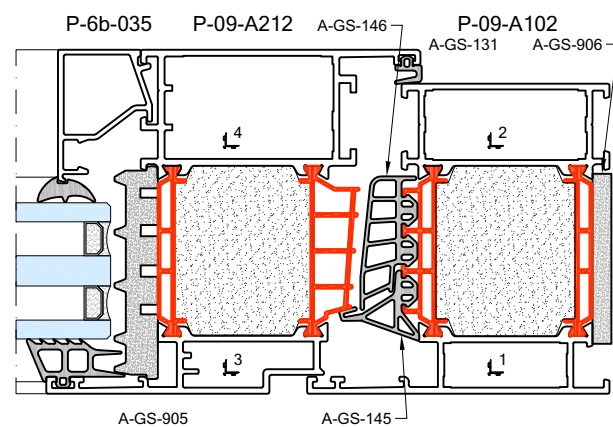
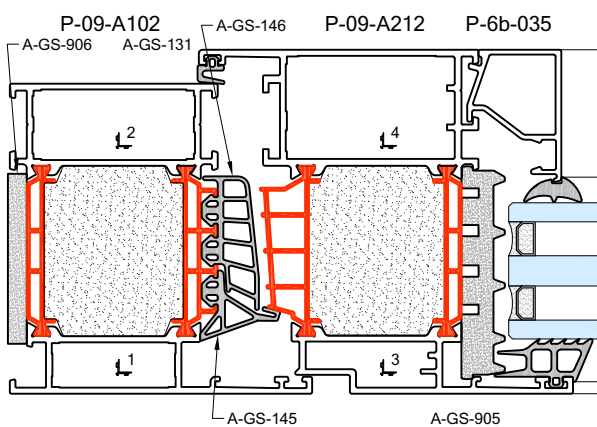


| | | B | # |
|-----------|--|---------|---|
| P-09-A102 | | B | 2 |
| P-09-A212 | | B - 100 | 2 |
| P-6b-035 | | B - 248 | 2 |

| H | # |
|---------|---|
| H | 2 |
| H - 100 | 2 |
| H - 292 | 2 |

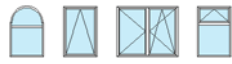
| | |
|----------|---------|
| A-GS-111 | 2B + 2H |
| A-GS-131 | 2B + 2H |
| A-GS-145 | 2B + 2H |
| A-GS-146 | 2B + 2H |
| A-GS-305 | 2B + 2H |
| A-GS-905 | 2B + 2H |
| A-GS-906 | 2B + 2H |

| | | # |
|---|-----------|---|
| 1 | A-PH-3211 | 4 |
| 2 | A-PH-4217 | 4 |
| 3 | A-PH-3208 | 4 |
| 4 | A-PH-4227 | 4 |



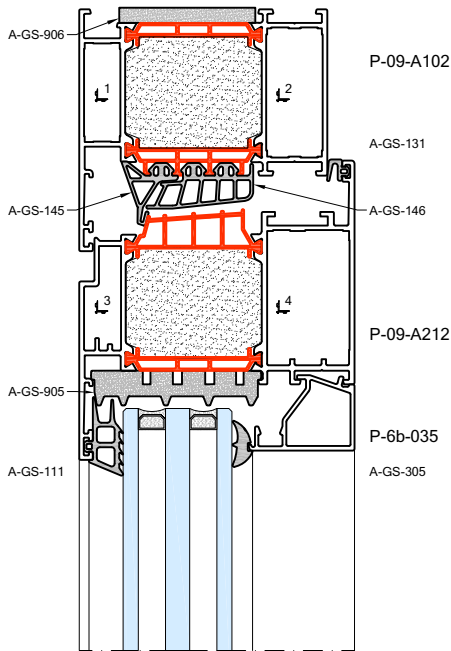
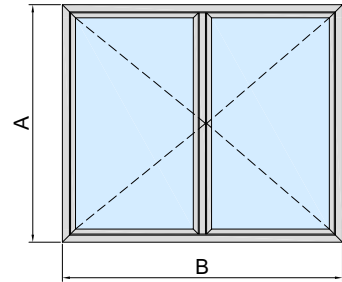
draairaam

stolpraam
double ouvrant a la francaise
double casement window

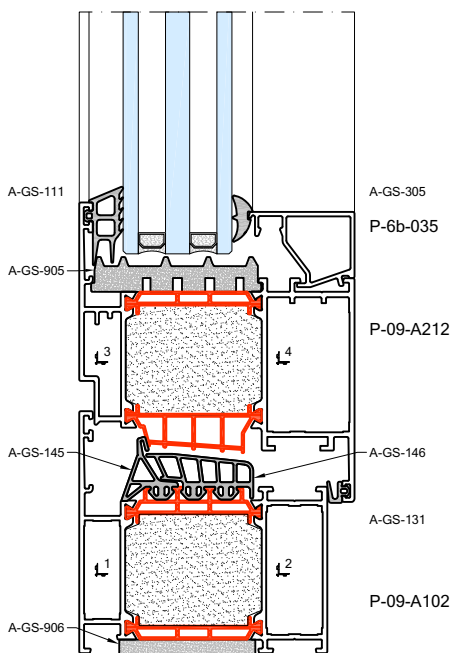


Olympia 09

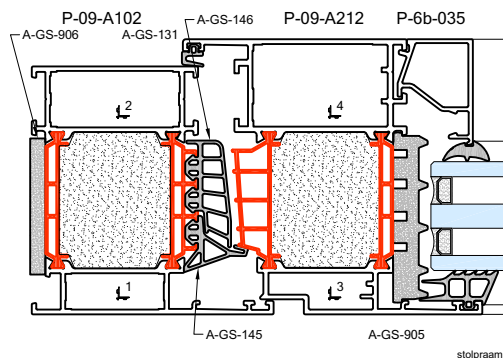
zaagtabellen - tables de sciages - sawing tables

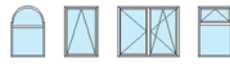


| | |
|----------|----------|
| A-00-100 | max. 900 |
| A-00-105 | 12 |
| A-09-100 | 8 |
| A-09-200 | 1 |



| | B | H |
|--|-----------------|---------|
| | $(B - 433) / 2$ | H - 264 |
| | $(B - 433) / 2$ | H - 264 |



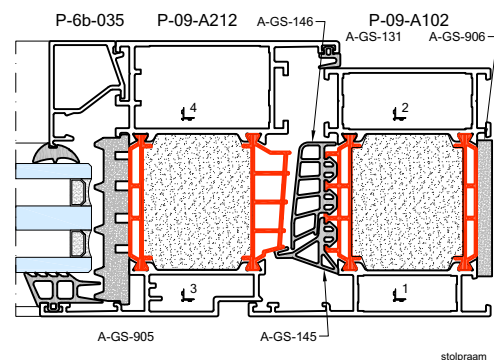
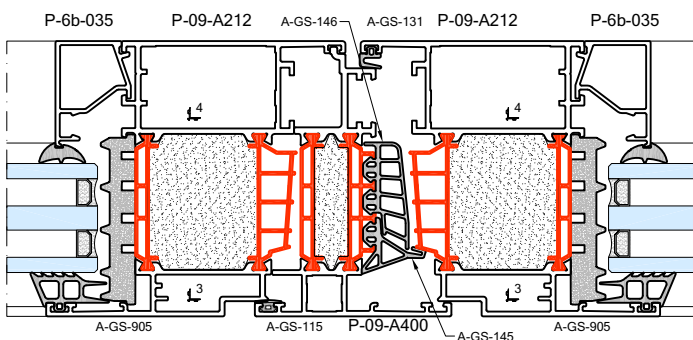


| | | B | # |
|-----------|--|---------------|---|
| P-09-A102 | | B | 2 |
| P-09-A212 | | (B - 105) / 2 | 4 |
| P-09-A400 | | - | - |
| P-6b-035 | | (B - 401) / 2 | 4 |

| H | # |
|---------|---|
| H | 2 |
| H - 100 | 4 |
| H - 184 | 1 |
| H - 292 | 4 |

| | |
|----------|---------|
| A-GS-111 | 2B + 4H |
| A-GS-115 | 1H |
| A-GS-131 | 2B + 3H |
| A-GS-145 | 2B + 3H |
| A-GS-146 | 2B + 3H |
| A-GS-305 | 1B + 4H |
| A-GS-905 | 2B + 4H |
| A-GS-906 | 2B + 2H |

| | | # |
|---|-----------|---|
| 1 | A-PH-3211 | 4 |
| 2 | A-PH-4217 | 4 |
| 3 | A-PH-3208 | 8 |
| 4 | A-PH-4227 | 8 |

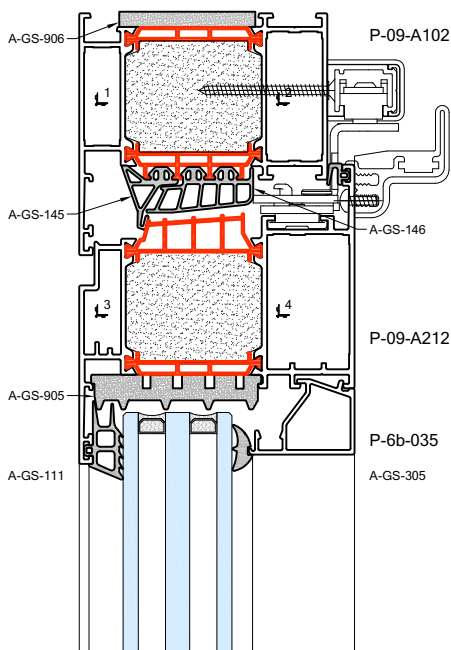
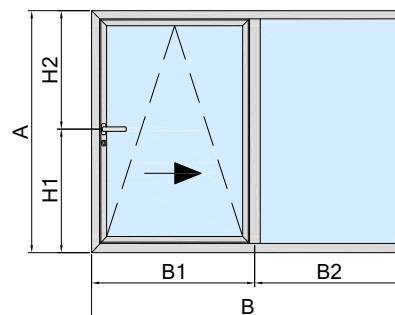




zaagtabellen - tables de sciages - sawing tables

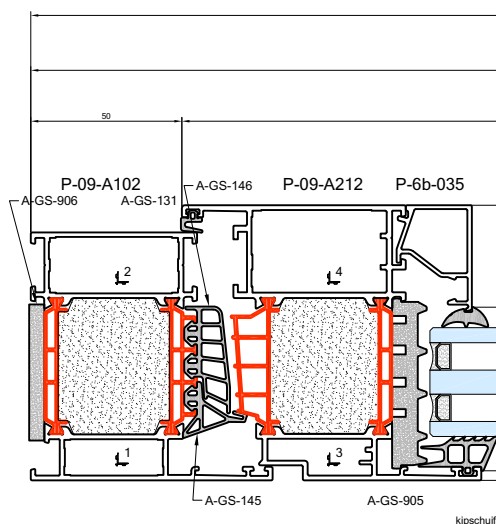
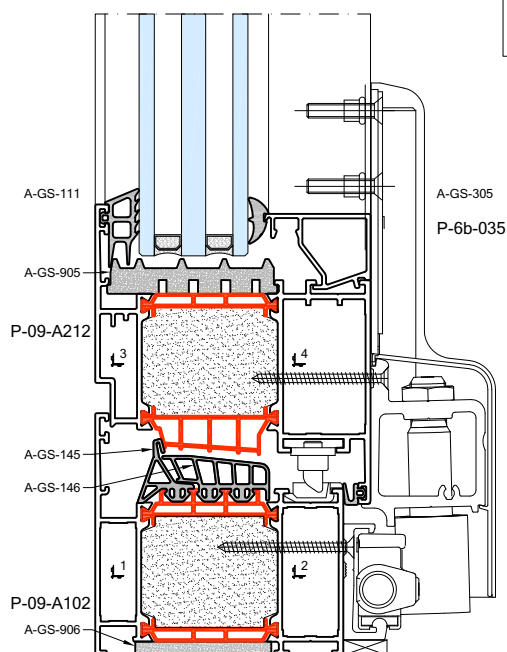
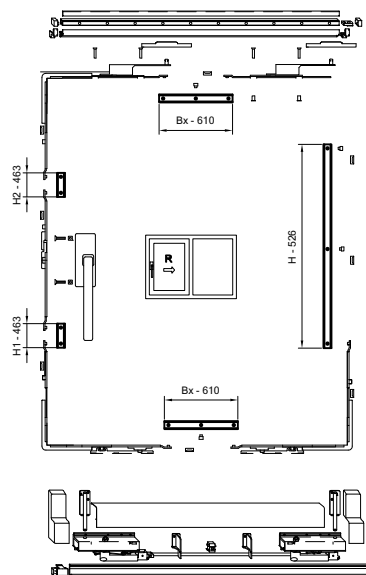
| | B | H |
|--|------------|---------|
| | B1 - 236,5 | H - 264 |
| | B2 - 98,5 | H - 126 |

Max. 180Kg



| | max. 900 |
|----------|----------|
| A-00-100 | |
| A-00-105 | 8 |
| A-00-106 | 4 |
| A-09-100 | 12 |

| Bx | |
|-------------|------------------------|
| 650 - 930 | A-BS-300L A-BS-300R |
| 931 - 1080 | A-BS-301L A-BS-301R |
| 1081 - 1280 | A-BS-302L A-BS-302R |
| 1281 - 1480 | A-BS-303L A-BS-303R |
| 1481 - 1680 | A-BS-304L A-BS-304R |
| 1681 - 1880 | A-BS-305L A-BS-305R |



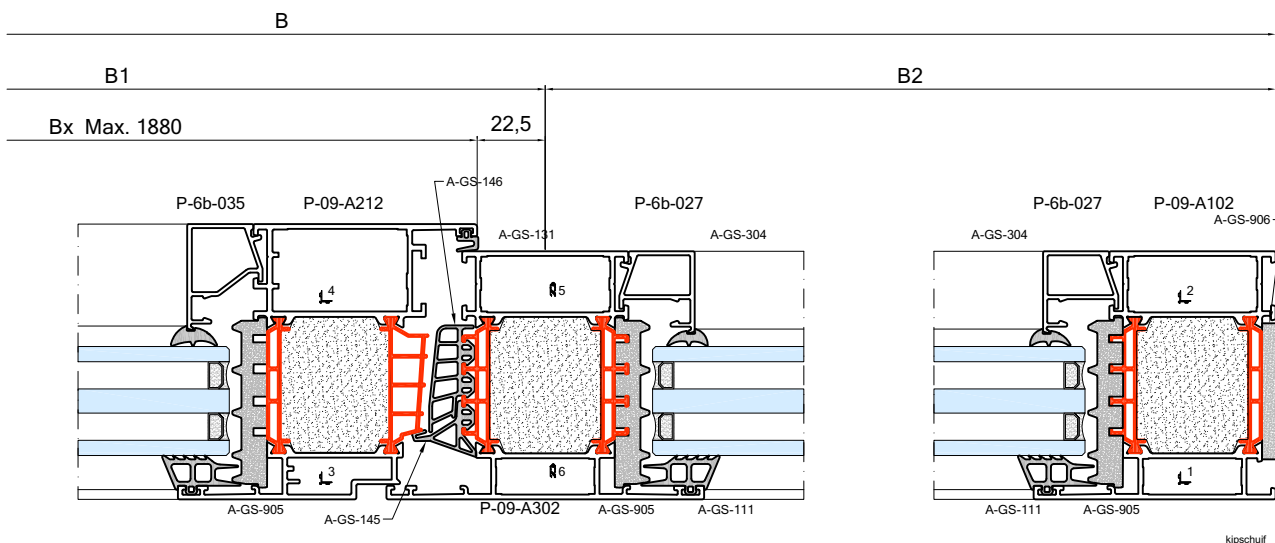


| | | B | # |
|-----------|--|------------|---|
| P-09-A102 | | B | 2 |
| P-09-A212 | | B1 - 72,5 | 4 |
| P-09-A302 | | - | - |
| P-00-602 | | - | - |
| | | - | - |
| | | - | - |
| | | Bx - 610 | 2 |
| P-6b-027 | | B2 - 82,5 | 2 |
| P-6b-035 | | B1 - 193,5 | 2 |

| H | # |
|----------|---|
| H | 2 |
| H - 100 | 4 |
| H - 110 | 1 |
| H - 526 | 1 |
| H1 - 463 | 1 |
| H2 - 463 | 1 |
| - | - |
| H - 154 | 2 |
| H - 292 | 2 |

| | |
|----------|----------|
| A-GS-111 | 4B + 4H |
| A-GS-131 | 2B + 2H |
| A-GS-145 | 2B1 + 2H |
| A-GS-146 | 2B1 + 2H |
| A-GS-305 | 2B2 + 2H |
| A-GS-306 | 2B1 + 2H |
| A-GS-905 | 2B + 4H |
| A-GS-906 | 2B + 2H |

| | | | # |
|---|-----------|----------|---|
| 1 | A-PH-3211 | - | 4 |
| 2 | A-PH-4217 | - | 4 |
| 3 | A-PH-3208 | - | 4 |
| 4 | A-PH-4227 | - | 4 |
| 5 | - | A-TV-152 | 2 |
| 6 | - | A-TV-102 | 2 |

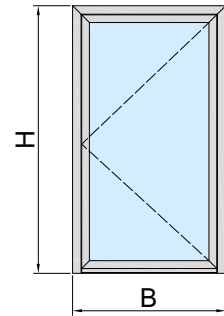
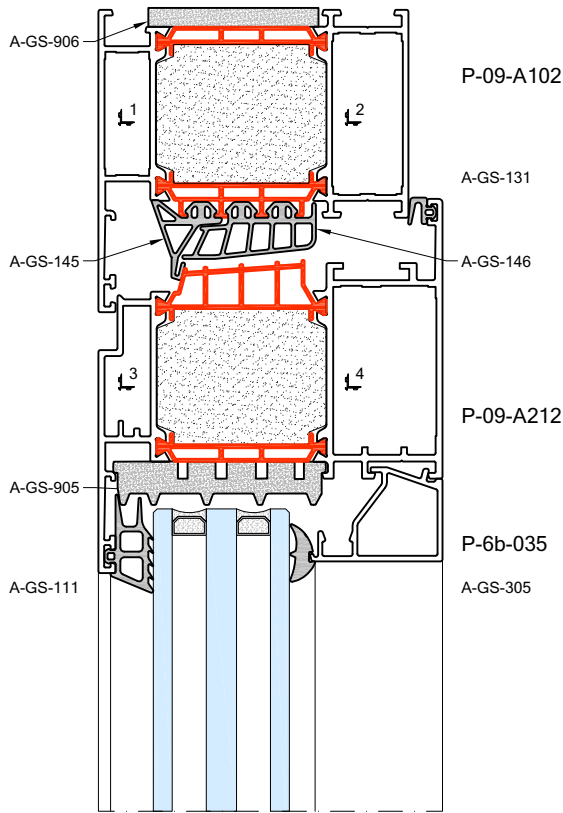


enkele deur binnen draaiend
 porte simple ouvrant interieur
 single door inside opening



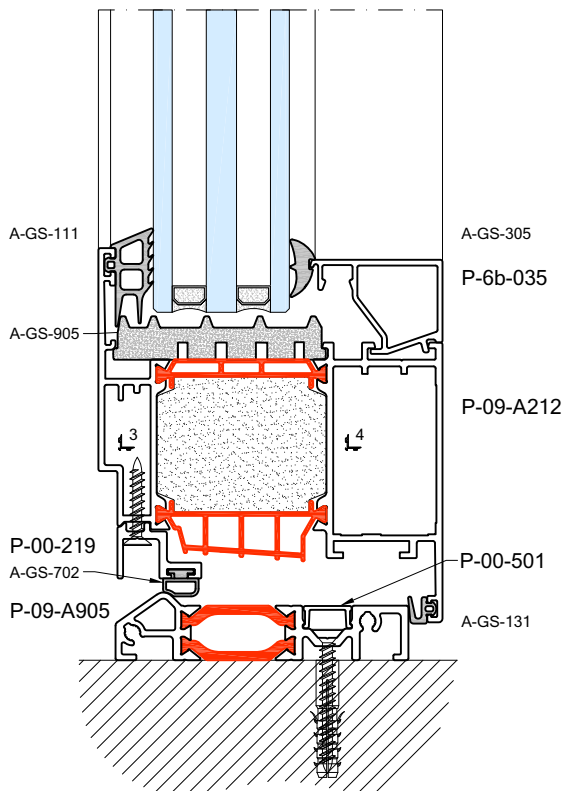
Olympia 09

zaagtabellen - tables de sciages - sawing tables



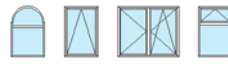
| | |
|----------|---|
| A-00-105 | 6 |
| A-09-100 | 4 |

| | |
|----------|---|
| A-BS-237 | 1 |
| A-BS-250 | 1 |
| A-BS-251 | 2 |
| A-BS-252 | 1 |
| A-BS-253 | 1 |
| A-BS-270 | 3 |



| | | |
|--|---------|---------|
| | B | H |
| | B - 264 | H - 224 |

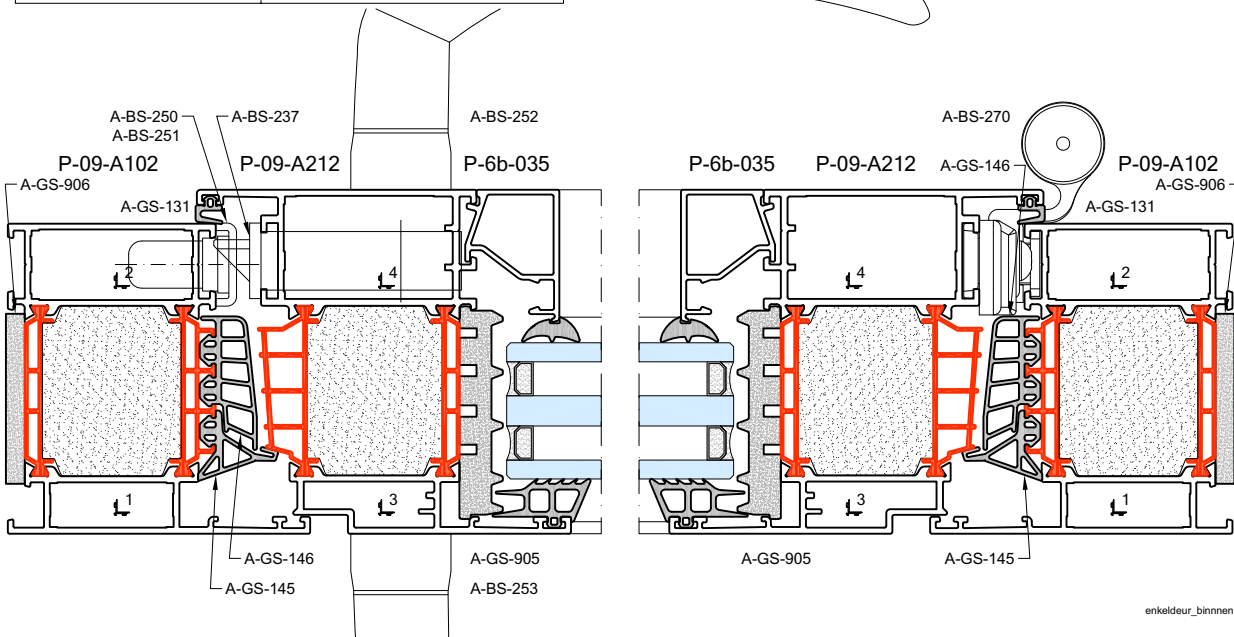
enkeledeur_binnen



| | | B | # | H | # |
|-----------|--|---------|---|---------|-----|
| P-09-A102 | | B | 1 | - | - |
| | | - | - | H | 1/1 |
| P-09-A212 | | B - 100 | 2 | H - 60 | 2 |
| P-09-A905 | | B - 110 | 1 | - | - |
| P-00-219 | | B - 149 | 1 | - | - |
| P-00-501 | | B - 110 | 1 | - | - |
| P-6b-035 | | B - 248 | 2 | H - 252 | 2 |

| | |
|----------|---------|
| A-GS-111 | 2B + 2H |
| A-GS-131 | 2B + 2H |
| A-GS-145 | 1B + 2H |
| A-GS-146 | 1B + 2H |
| A-GS-305 | 2B + 2H |
| A-GS-305 | 1B |
| A-GS-905 | 2B + 2H |
| A-GS-906 | 1B + 2H |

| | | # |
|---|-----------|---|
| 1 | A-PH-3211 | 2 |
| 2 | A-PH-4217 | 2 |
| 3 | A-PH-3208 | 4 |
| 4 | A-PH-4227 | 4 |



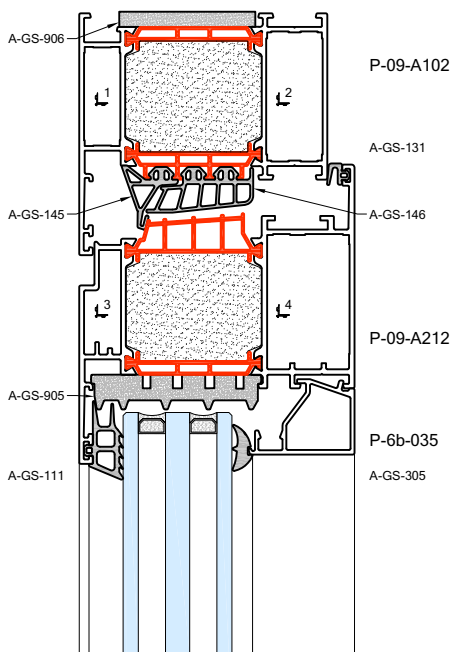
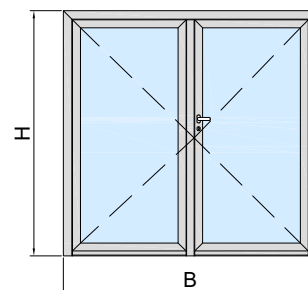
enkeledeur_binnen

enkele deur binnen draaiend
 porte simple ouvrant interieur
 single door inside opening



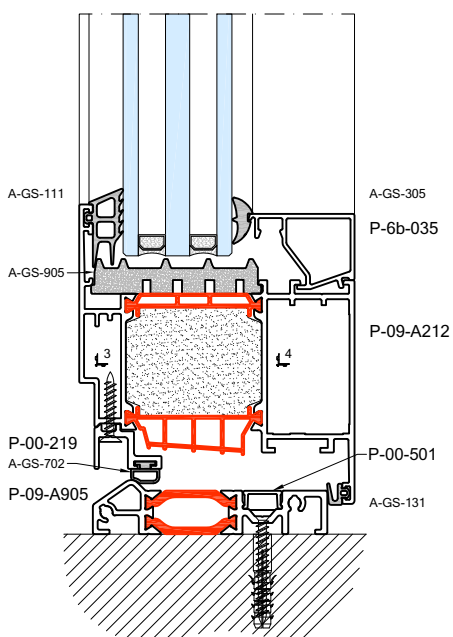
Olympia 09

zaagtabellen - tables de sciages - sawing tables

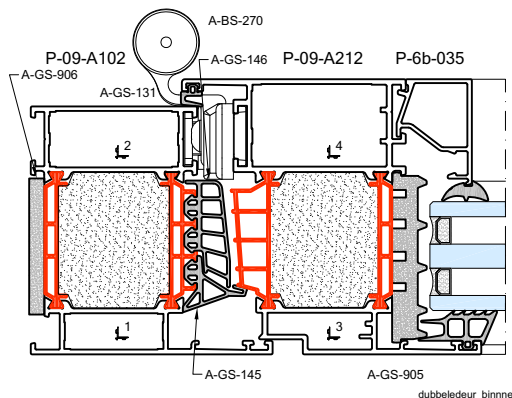


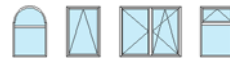
| | |
|----------|----|
| A-00-105 | 12 |
| A-09-100 | 8 |
| A-09-200 | 1 |

| | B | H |
|--|-----------------|---------|
| | $(B - 433) / 2$ | H - 224 |
| | $(B - 433) / 2$ | H - 224 |



| | |
|----------|---|
| A-BS-237 | 1 |
| A-BS-250 | 1 |
| A-BS-251 | 2 |
| A-BS-252 | 1 |
| A-BS-253 | 1 |
| A-BS-270 | 6 |

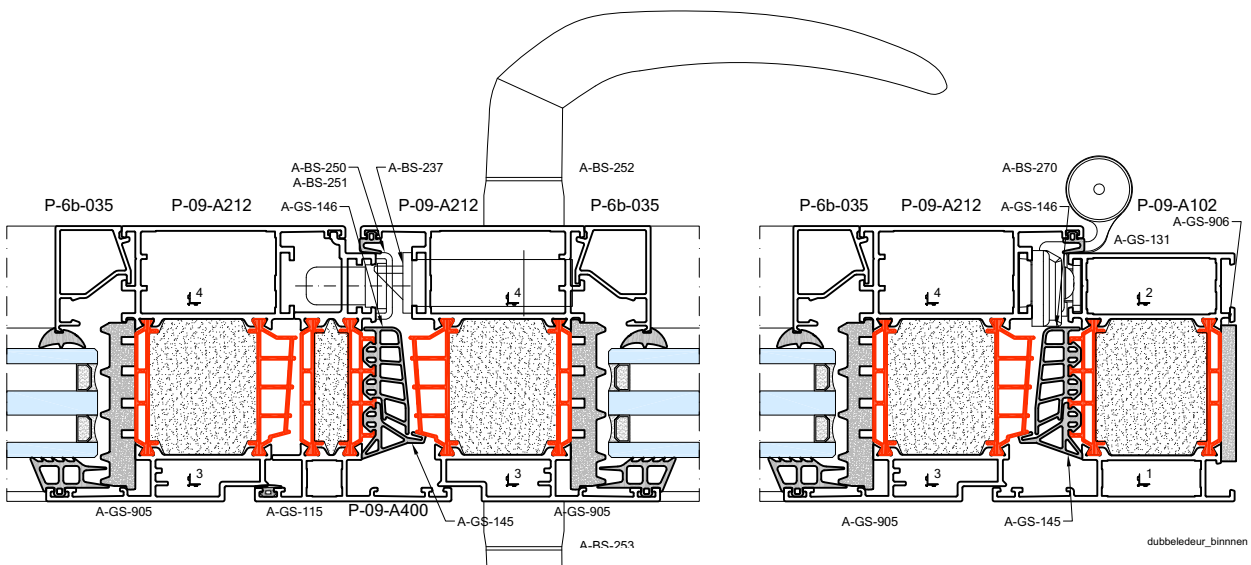


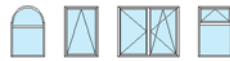


| | | B | # | H | # |
|-----------|--|---------------|---|---------|-------|
| P-09-A102 | | B | 2 | - | - |
| | | - | - | H | 1 / 1 |
| P-09-A212 | | (B - 105) / 2 | 4 | H - 60 | 4 |
| P-09-A400 | | - | - | H - 113 | 1 |
| P-09-A905 | | B - 110 | 1 | - | - |
| P-00-219 | | (B - 203) / 2 | 2 | - | - |
| P-00-501 | | B - 110 | 1 | - | - |
| P-6b-035 | | (B - 401) / 2 | 4 | H - 252 | 4 |

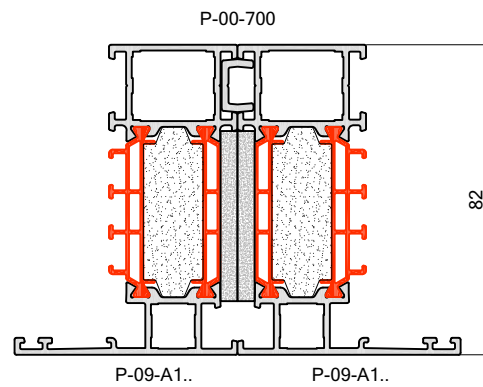
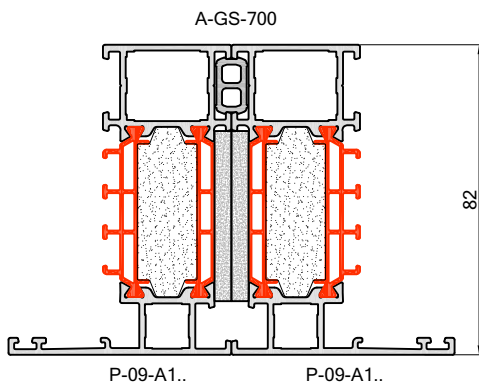
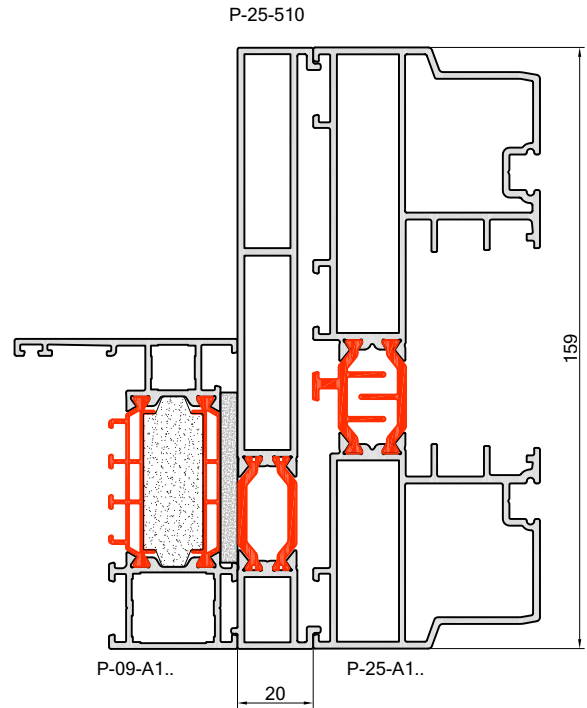
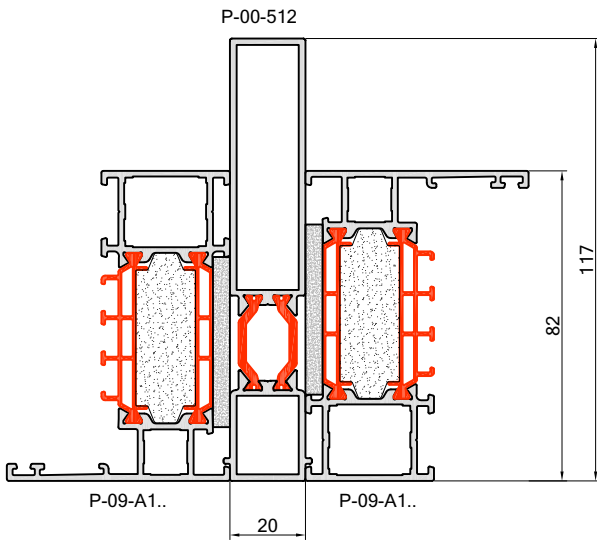
| | |
|----------|---------|
| A-GS-111 | 2B + 4H |
| A-GS-115 | 1H |
| A-GS-131 | 2B + 3H |
| A-GS-145 | 1B + 3H |
| A-GS-146 | 1B + 3H |
| A-GS-305 | 1B + 4H |
| A-GS-702 | 1B |
| A-GS-905 | 2B + 4H |
| A-GS-906 | 1B + 2H |

| | | # |
|---|-----------|---|
| 1 | A-PH-3211 | 2 |
| 2 | A-PH-4217 | 2 |
| 3 | A-PH-3208 | 8 |
| 4 | A-PH-4227 | 8 |

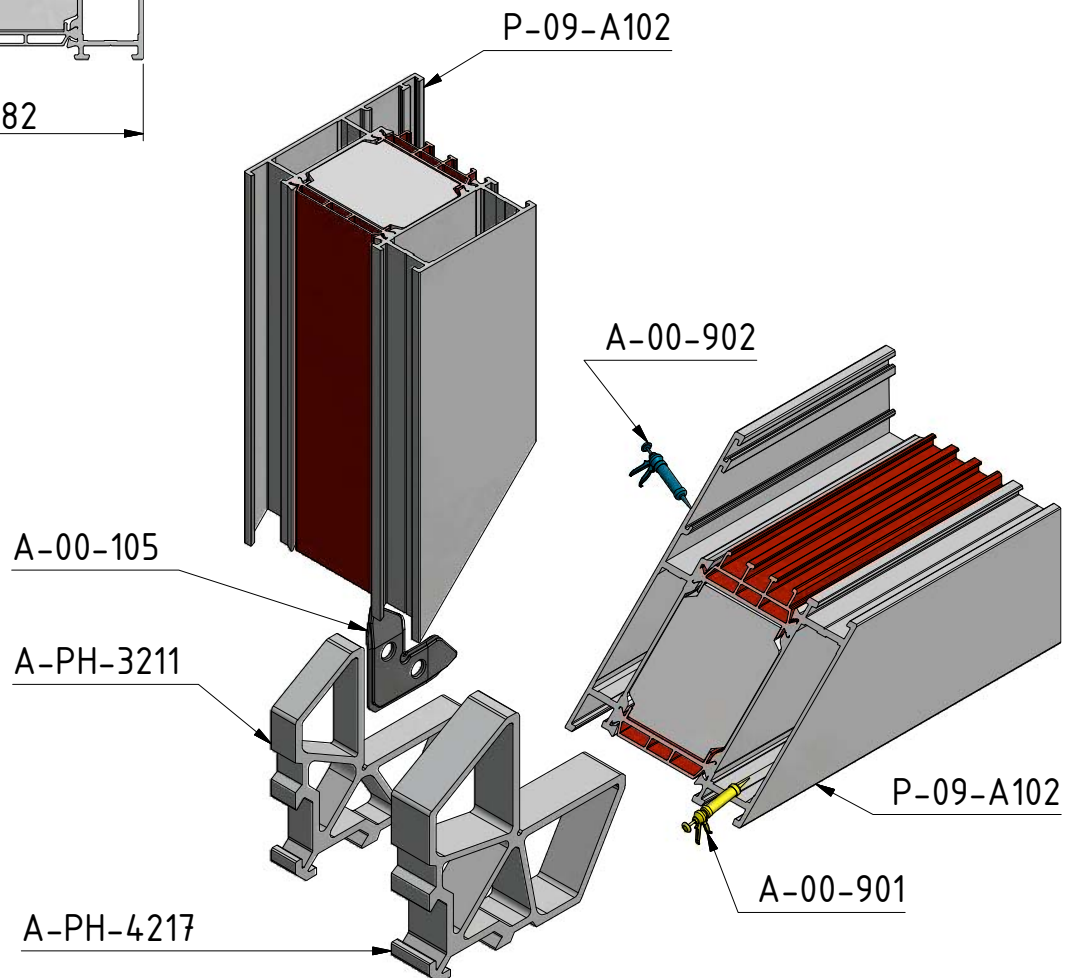
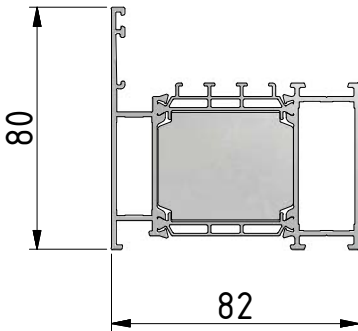
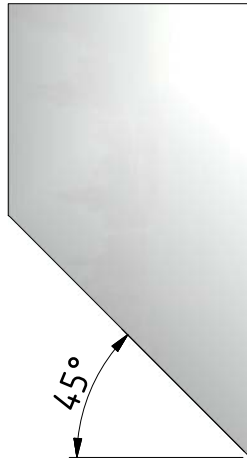
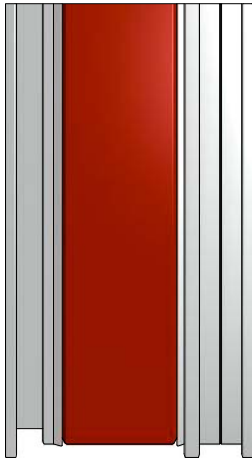
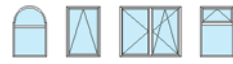


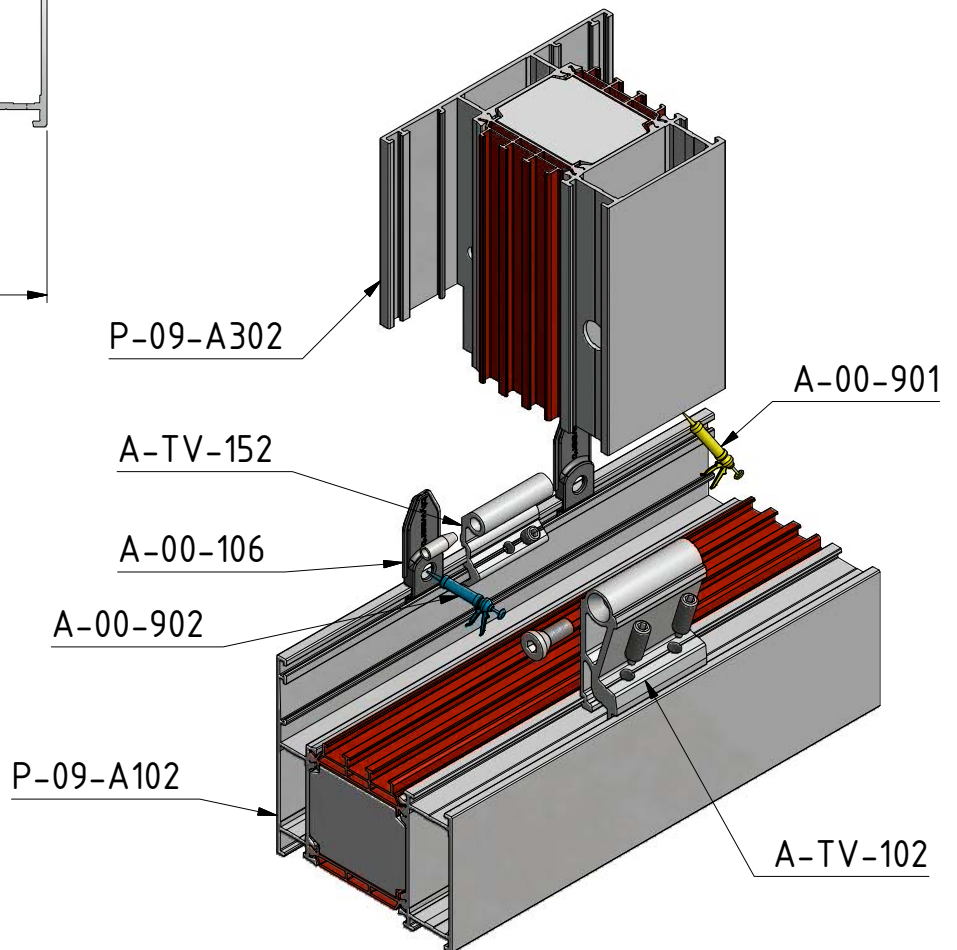
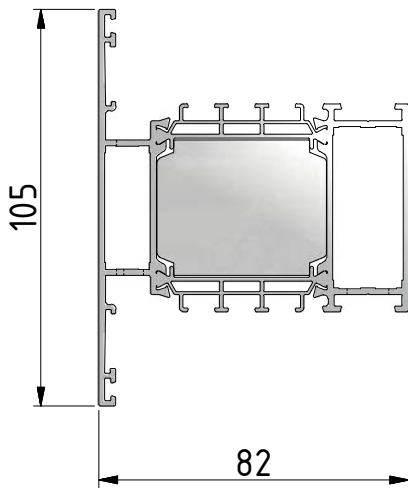
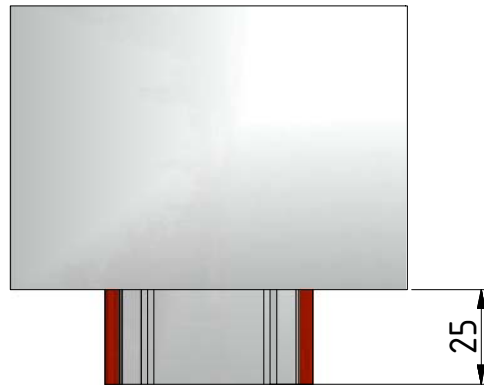
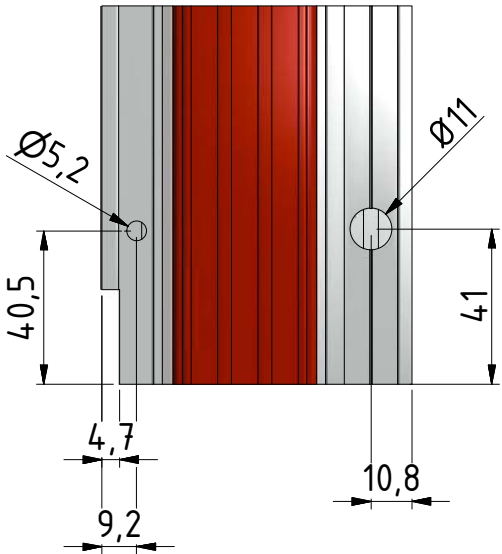


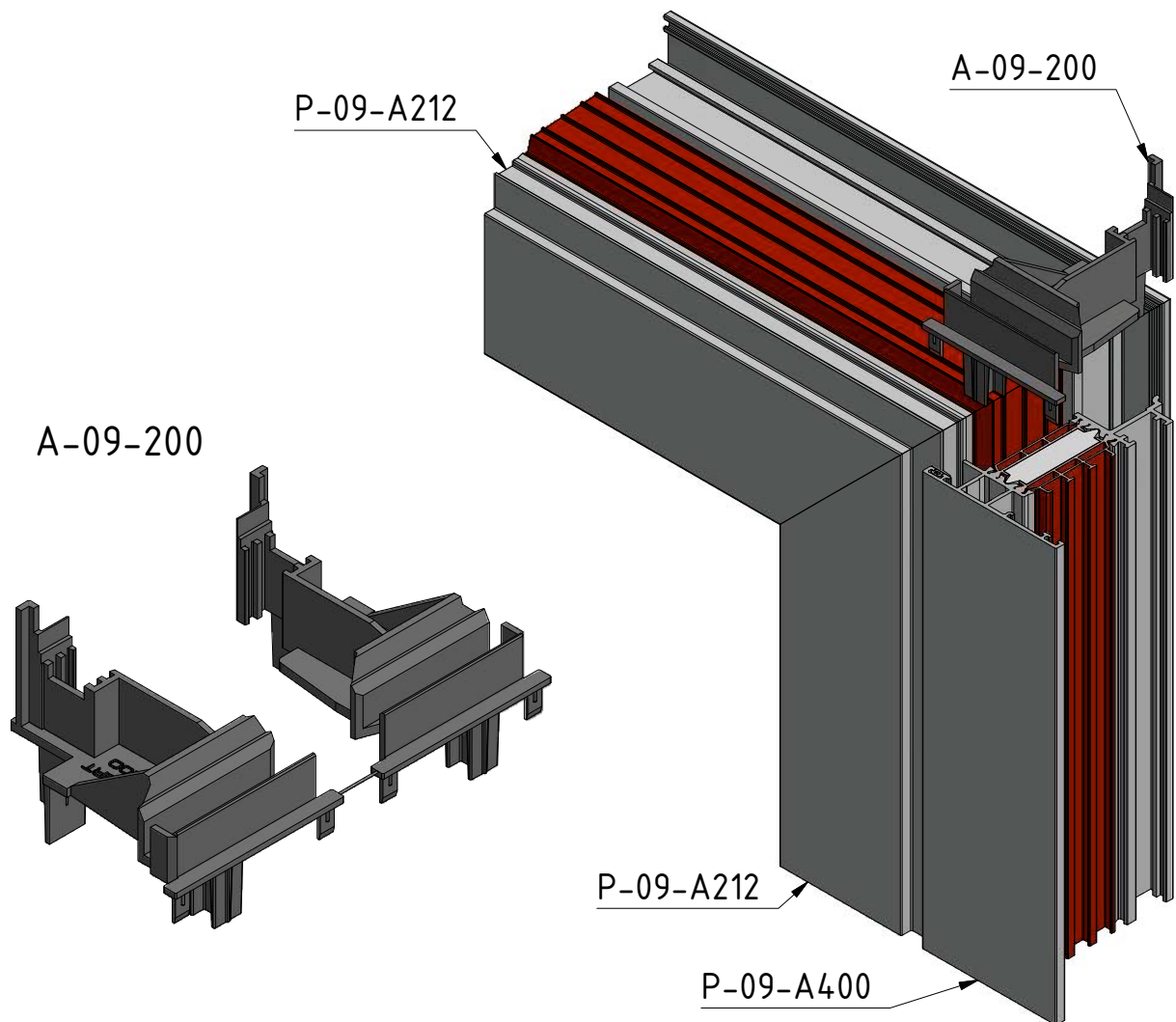
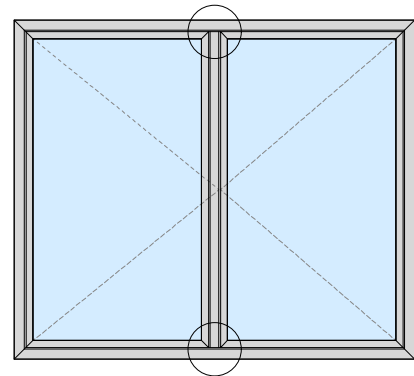
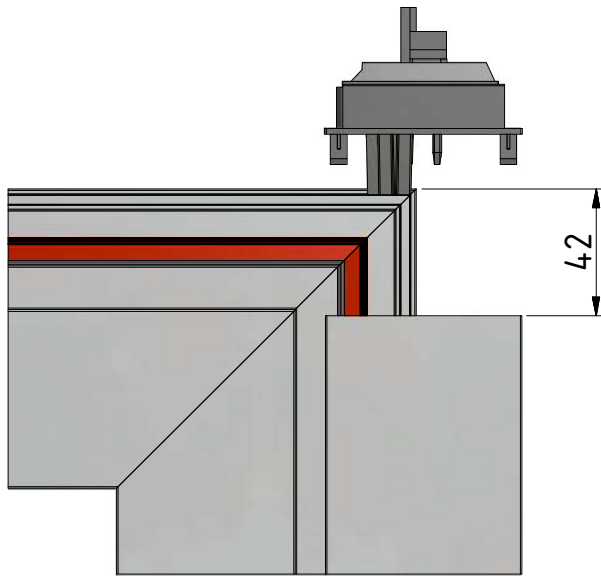
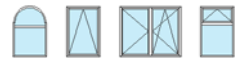
| | |
|---|------|
| overzicht vue d'ensemble overview | p.86 |
| pershoek équerre à sertir clamping corner | p.87 |
| t-verbinder attacher traverse connection component for transom | p.88 |
| stolpeindstuk raam embout mauclair fenêtre double casement component window | p.89 |
| montage waterkapje A-00-100 assemblage busette A-00-100 assembly drain hole cover A-00-100 | p.90 |
| uitfrezing raamkruk fraisage poignée milling handle | p.91 |
| A-BS-023 / 024 / 084 - A-BF-004 / 005 / 006 | |
| sloten en bewerking binnendraaiende deur serrures et construction porte ouvrant int. locks and construction door inside | p.92 |

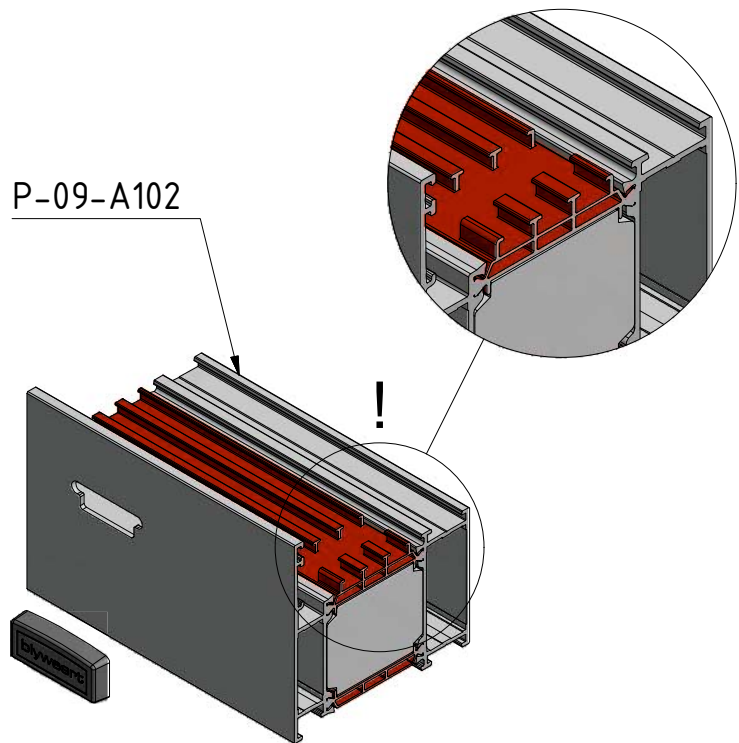
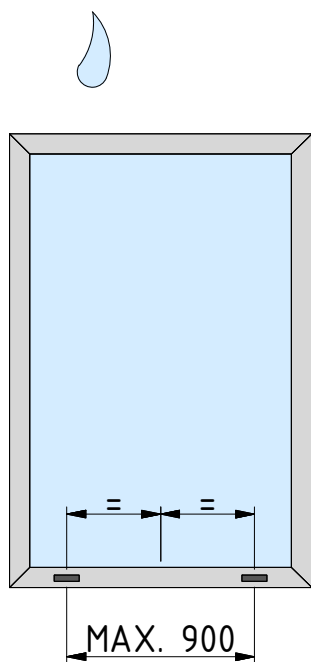
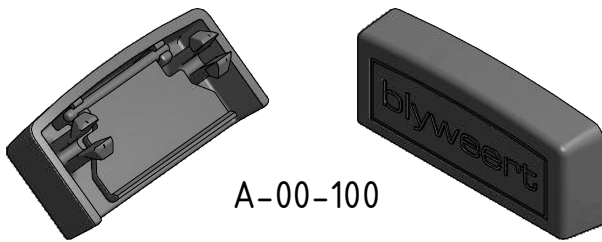
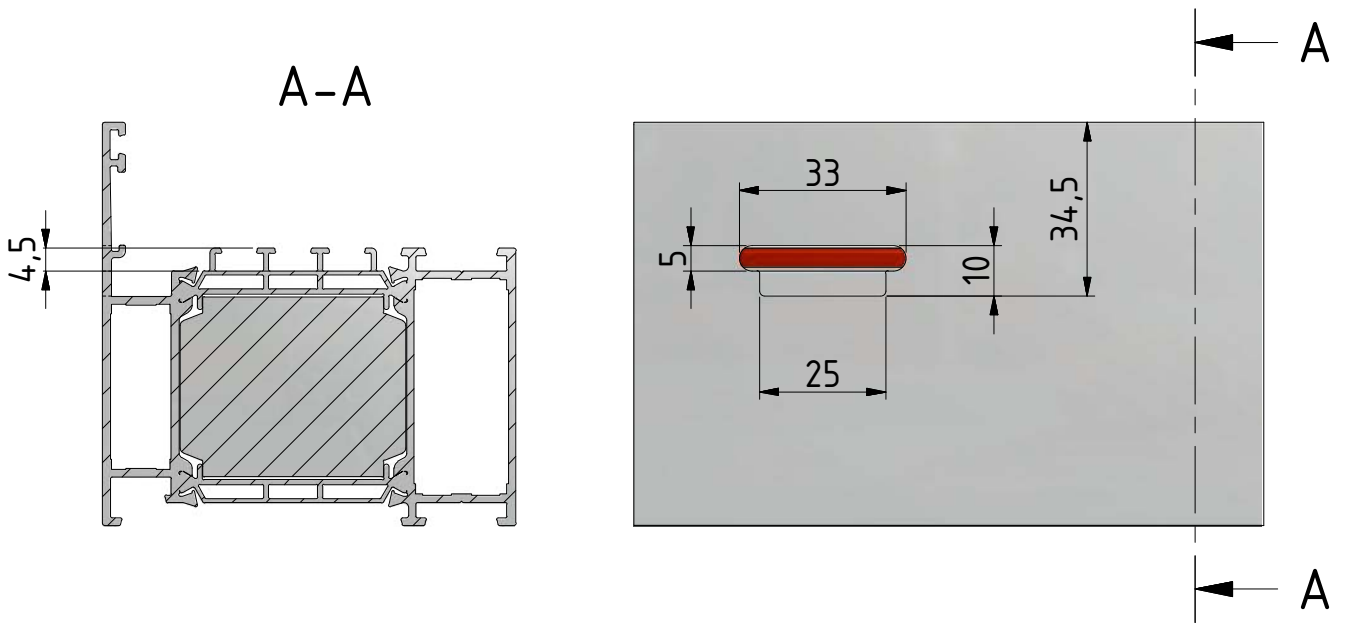


overzichtolympia

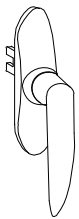
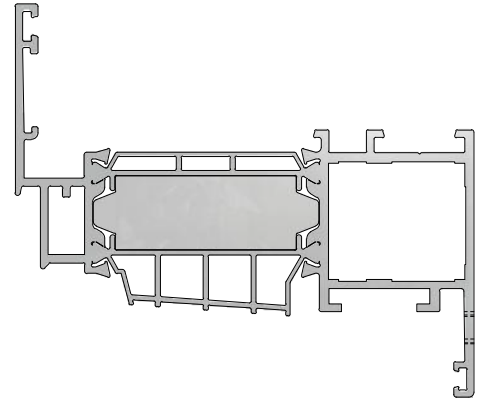
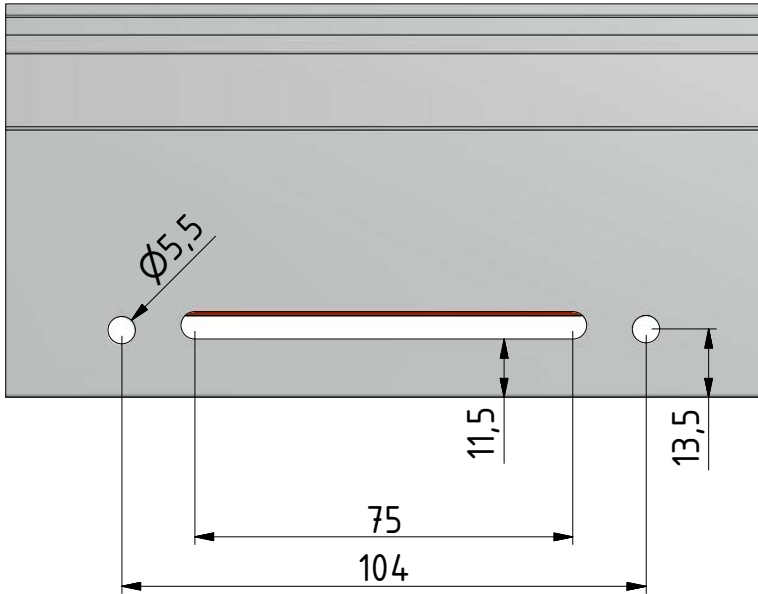
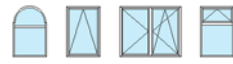




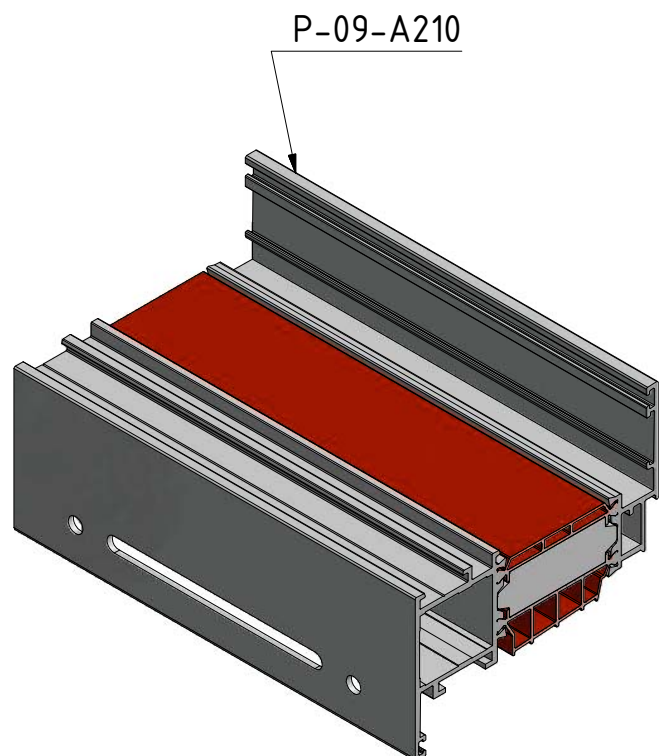


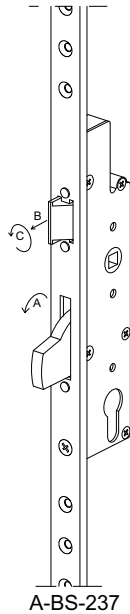


Waterkap.idw



- | | |
|----------|----------|
| A-BS-023 | A-BF-004 |
| A-BS-024 | A-BF-005 |
| A-BS-084 | A-BF-006 |

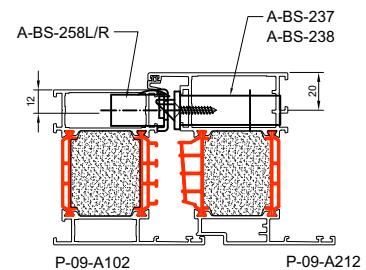
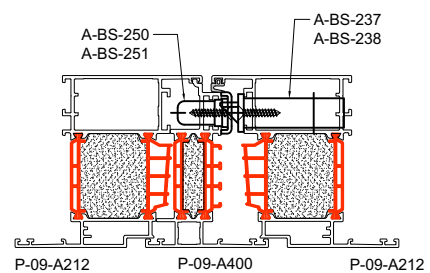
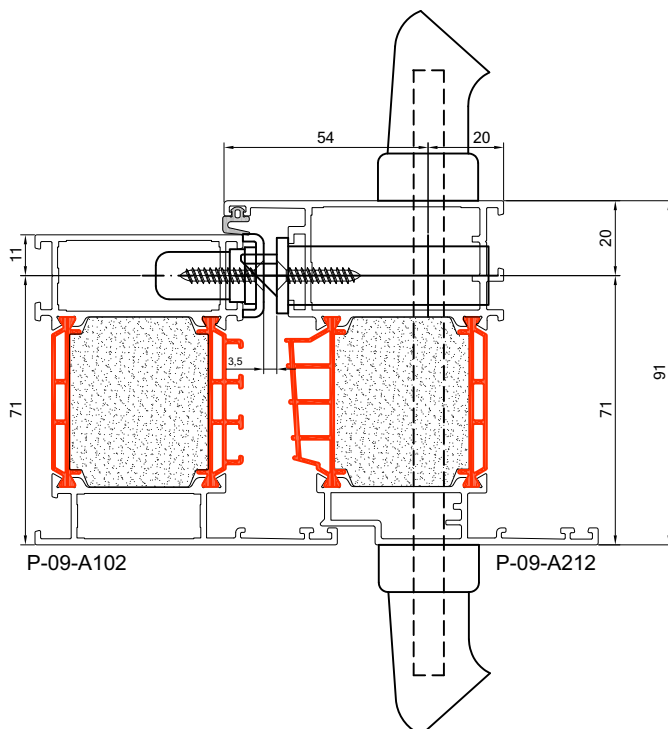




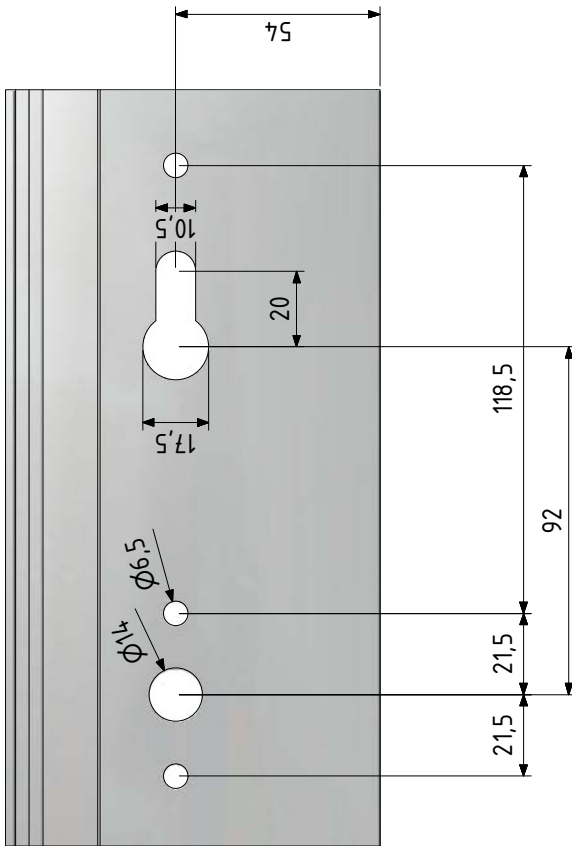
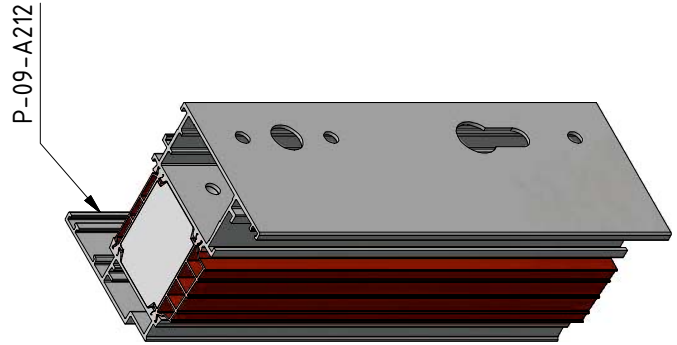
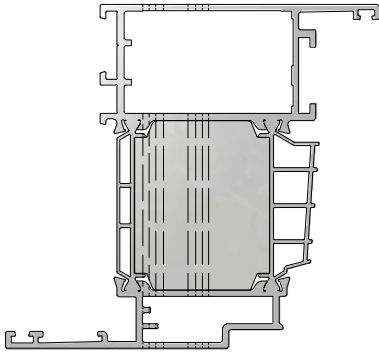
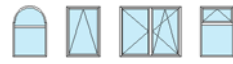
| | | Slottype Type serrure Locktype | Slotplaat Gache Lockplate | (elektrisch) (électrique) (electric) |
|--|------------------------------|--------------------------------------|---|--|
| Penslot Serrure à pêne Lock with pen | 1-punt 1-point 1-point | | | |
| | 5-punt 5-point 5-point | A-BS-237 | A-BS-250 + A-BS-251 (2x) A-BS-268 | (A-BS-258L/R) + A-BS-251 (2x) |
| Rolslot Serrure à rouleau Lock with roll | 1-punt 1-point 1-point | | | |
| | 5-punt 5-point 5-point | A-BS-238 | A-BS-250 + A-BS-251 (2x) A-BS-268 | |

| | | Cilinder Cylindre Cylinder | Veiligheidscil. Cyl. sécurité Safety cyl. | Cilinder 1/2 Cylindre 1/2 Cylinder 1/2 |
|-------------------------------|---|--|---|--|
| Afwerking - Finition - Finish | Zonder Sans Without | A-00-CE3070 | A-00-CV3070 | A-00-CE30 |
| | Langschild Plaque longue Long plate | A-BS-252 + A-BS-253 A-BS-254 + A-BS-255 | | A-00-CE35 |
| | Cilinderplaatje Plaque de cylindre Cylinder plate | A-00-CE3080 | A-00-CV3080 | A-00-CE30 |

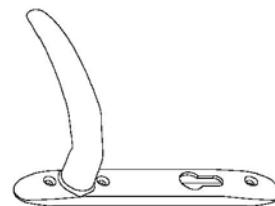
| Schroeven - Vis - Screws | | | |
|---|---|---|---------------------|
| Langschild Plaque longue Long plate | A-BS-252 + A-BS-253 | A-00-M5120 M 5 x 120 M 5 x 110 | DIN 963 ISO 2009 |
| Langschild Plaque longue Long plate | SKG A-BS-254 + A-BS-255 | A-00-M6120 M 6 x 120 M 6 x 110 | DIN 965 ISO 7046 |
| Dubbele kruk + anti krukdiefstal Béquille double + anti béquille vole Dobble handle + anti handle theft | A-BF-057 + A-BF-069 (2x) | A-00-M5120 M 5 x 120 M 5 x 108 | DIN 963 ISO 2009 |



olydeur_binnen



A-BS-252
A-BS-253



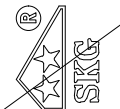


P-09-A212

Ø7: M5x12,5
Din 965 M5x25



Ø3,3: Din 7982 4,2x16

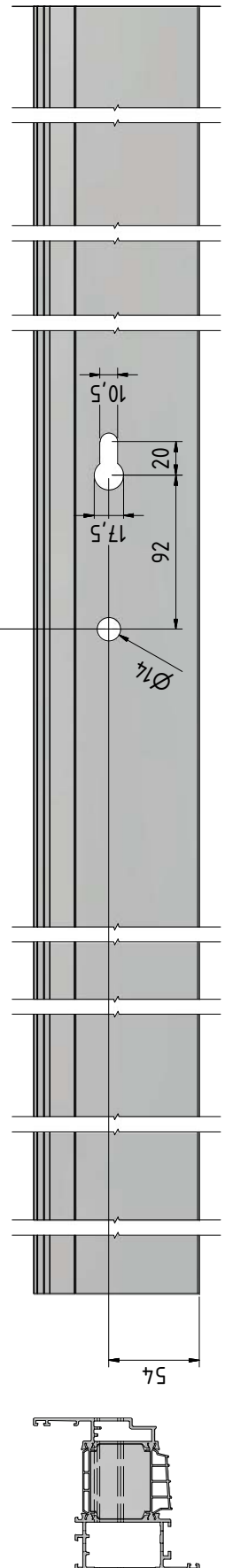
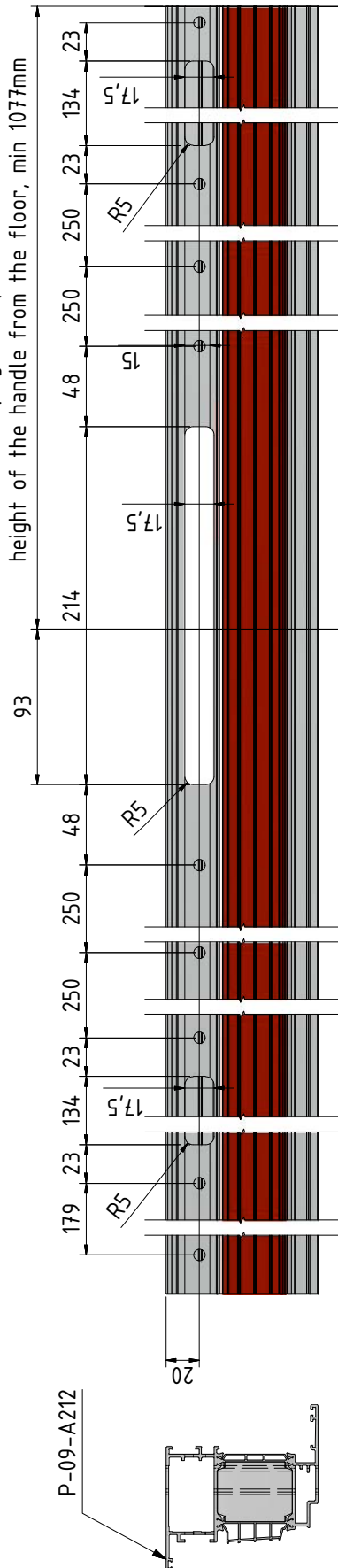


Uitfrezing
Fraisage
Milling

A-BS-237
A-BS-238



kruk hoogte vanaf vloerpas, min 1077mm
la hauteur de la poignée a partir du sol, min 1077mm
height of the handle from the floor, min 1077mm



slot opening dow